

# HIGH SCHOOL ADDITION

BRYANT SCHOOL DISTRICT  
BRYANT, AR

## PROJECT INFORMATION

DRAWINGS AND PROJECT MANUAL APPROVED AND IDENTIFIED AS PARTS OF THE OFFICIAL CONTRACT DOCUMENT

OWNER: BRYANT SCHOOL DISTRICT  
FACILITY: HIGH SCHOOL ADDITION  
LOCATION: BRYANT, AR  
BY: \_\_\_\_\_  
DATE: \_\_\_\_\_

CONSTRUCTION MANAGER: BALDWIN & SHELL CONSTRUCTION  
ADDRESS: \_\_\_\_\_  
BY: \_\_\_\_\_  
DATE: \_\_\_\_\_

ARCHITECT: LEWIS, ELLIOTT, MCMORRAN, VADEN,  
RAGSDALE, & WOODWARD INCORPORATED  
ADDRESS: 11225 HURON LANE, SUITE 104  
LITTLE ROCK, ARKANSAS 72211  
BY: \_\_\_\_\_  
DATE: \_\_\_\_\_

PROJECT NUMBER: 23060  
DRAWINGS AND PROJECT MANUAL DATED: 09 APRIL 2024

### CERTIFICATION STATEMENT:

I HEREBY CERTIFY THAT THESE PLANS AND SPECIFICATIONS HAVE BEEN PREPARED BY ME, OR UNDER MY SUPERVISION, I FURTHER CERTIFY THAT TO THE BEST OF MY KNOWLEDGE THESE PLANS AND SPECIFICATIONS ARE AS REQUIRED BY LAW AND IN COMPLIANCE WITH THE "ARKANSAS FIRE PREVENTION CODE" FOR THE STATE OF ARKANSAS.

*R/V* 04-09-24  
LEWIS, ELLIOTT, MCMORRAN, VADEN, RAGSDALE, & WOODWARD, INCORPORATED

## MATERIAL LEGEND

	MASONRY (PLAN)
	METAL STUD FRAMING (PLAN)
	GYPSUM PANELS
	WOOD BLOCKING CONTINUOUS (SECTION)
	WOOD BLOCKING AS NEEDED (SECTION)
	WOOD FINISHED FACE OR SOLID WOOD
	WOOD PLYWOOD (SECTION)
	CONCRETE (SECTION)
	RIGID INSULATION (SECTION)
	BATT INSULATION (SECTION)
	FILL MATERIAL (SECTION)
	REPLACED SOIL (SECTION)

## DESIGN DATA

### GENERAL CODES:

INTERNATIONAL BUILDING CODE (IBC) 2021 EDITION  
ARKANSAS FIRE PREVENTION CODE (AFPC) 2021 EDITION

### SEISMIC:

SEISMIC RISK CATEGORY 2021 IBC  
SEISMIC DESIGN CATEGORY \_ AFPC REVISIONS  
SALINE COUNTY

### ACCESSIBILITY STANDARDS

ADA STANDARDS FOR ACCESSIBLE DESIGN 2010 EDITION

### OCCUPANCY CLASSIFICATION:

EDUCATION IBC 305

### BUILDING CONSTRUCTION TYPE:

II-A-SPRINKLED IBC TABLE 601

### ALLOWABLE BUILDING HEIGHT AND AREA:

4 STORY / 85 FT TALL / 79,500 SQ. FT. PER FLOOR IBC 503

### OCCUPANT LOAD AND REQUIRED EGRESS:

LEVEL	OCCUPANTS	EXITS (REQ. / ACT)	EGRESS WIDTH (REQ. / ACT)
1ST FLOOR	734	3 / 4	110' / 236"
2ND FLOOR	241	2 / 2	60' / 124"
3RD FLOOR	235	2 / 2	60' / 124"
4TH FLOOR	235	2 / 2	60' / 124"

### TOTAL BUILDING SQUARE FOOTAGE:

1ST FLOOR	24,002 SQFT
2ND FLOOR	13,852 SQFT
3RD FLOOR	13,852 SQFT
4TH FLOOR	13,852 SQFT
<b>TOTAL</b>	<b>65,558 SQFT</b>

### FIRE PROTECTION

PORTABLE FIRE EXTINGUISHERS	NFPA 10
AUTOMATIC SPRINKLER SYSTEM	IBC 903
2-HR RATED EXIT STAIR (FIRE BARRIER)	IBC 1023
2-HR RATED BUILDING SEPARATION (FIRE WALL) AT EXISTING	IBC 706
FIRE RESISTANCE RATED BUILDING ELEMENTS	IBC TABLE 601
PRIMARY STRUCTURAL FRAME	1-HR
BEARING WALLS	1-HR
FLOOR CONSTRUCTION	1-HR
ROOF CONSTRUCTION	1-HR

### STORM SHELTER

NET OCCUPANT LOAD REQUIRED (75% CLASSROOMS, 70% LAB SPACES)	1061 OCC
REQUIRED AREA (OCCUPANT LOAD AT 5 SQFT/PERSON)	5305 SQFT
PROVIDED AREA	5562 SQFT

## SYMBOL LEGEND

	DOOR MARK, SEE DOOR SCHEDULE
	CASEWORK ELEVATION MARK
	WINDOW / STOREFRONT FRAME MARK
	CLASSROOM - ROOM NAME
	ROOM NUMBER
	ROOM CEILING HEIGHT
	CEILING FINISH
	DETAIL / SECTION NUMBER
	SHEET NUMBER

## VICINITY MAP



## ABBREVIATIONS

AFF	ABOVE FINISH FLOOR
AT	ALUMINUM THRESHOLD
CEJC	CEILING EXPANSION JOINT COVER
CJ	CONTROL JOINT
CLG	CEILING
CONC	CONCRETE
CONT	CONTINUOUS
DTL	DETAIL
FD	FLOOR DRAIN
FEC	FIRE EXTINGUISHER CABINET
FEJ	FLOOR EXPANSION JOINT
FLR	FLOOR
GB	GRAB BAR
MECH	MECHANICAL
NHO	NORMALLY HELD OPEN
NTS	NOT TO SCALE
OPG	OPENING
REQ	REQUIRED
SHT	SHEET
SIM	SIMILAR
STO	STORAGE
TYP	TYPICAL
WEJC	WALL EXPANSION JOINT COVER

## INDEX OF DRAWINGS

T1.1 TITLE SHEET

### CIVIL

C0.1	EXISTING CONDITIONS SURVEY
C0.2	EXISTING CONDITIONS SURVEY
C1.0	SITE DEMOLITION PLAN
C1.1	SITE EROSION CONTROL PLAN
C1.2	SITE GRADING & STORM DRAINAGE PLAN
C1.3	SITE UTILITY PLAN

### ARCHITECTURAL

A1.1	LIFE SAFETY / POR FLOOR PLANS
A2.1	FIRST FLOOR PLAN - AREA A
A2.2	FIRST FLOOR PLAN - AREA B
A2.3	SECOND FLOOR PLAN
A2.4	THIRD FLOOR PLAN
A2.5	FOURTH FLOOR PLAN
A3.1	EXTERIOR ELEVATIONS
A3.2	EXTERIOR ELEVATIONS
A3.3	EXTERIOR ELEVATIONS
A4.1	BUILDING SECTIONS
A4.2	BUILDING SECTIONS
A4.3	BUILDING SECTIONS
A4.4	STAIR DETAILS
A5.1	WALL SECTIONS
A5.2	WALL SECTION
A5.3	WALL SECTIONS
A5.4	WALL SECTIONS
A5.5	WALL SECTIONS
A5.6	WALL SECTIONS
A5.7	WALL SECTIONS
A5.8	WALL SECTIONS
A5.9	WALL SECTIONS
A6.1	FIRST FLOOR REFLECTED CEILING PLAN - AREA A
A6.2	FIRST FLOOR REFLECTED CEILING PLAN - AREA B
A6.3	SECOND FLOOR REFLECTED CEILING PLAN
A6.4	THIRD FLOOR REFLECTED CEILING PLAN
A6.5	FOURTH FLOOR REFLECTED CEILING PLAN
A7.1	ROOF PLAN & DETAILS
A8.1	DOOR SCHEDULE
A8.2	WINDOW ELEVATIONS
A9.1	PREFINISHED FURNITURE
A9.3	FINISH SCHEDULE

### STRUCTURAL

S0.1	1ST & 2ND FLR. FOUNDATION DEMOLITION PLAN
S0.2	3RD, 4TH & PARTIAL ROOF FRAMING DEMOLITION PLANS
S1.1	GENERAL NOTES & SCHEDULES
S2.1	FIRST FLOOR PLAN - AREA A
S2.2	FIRST FLOOR PLAN - AREA B
S3.1	FOUNDATION DETAILS
S3.2	FOUNDATION DETAILS
S3.3	FOUNDATION DETAILS
S4.1	SECOND FLOOR FRAMING PLAN - AREA A
S4.2	SECOND FLOOR FRAMING PLAN - AREA B
S4.3	THIRD FLOOR FRAMING PLAN
S4.4	FOURTH FLOOR FRAMING PLAN
S4.5	ROOF FRAMING PLAN
S5.1	FRAMING DETAILS
S5.2	FRAMING DETAILS
S5.3	FRAMING DETAILS
S5.4	FRAMING DETAILS
S6.1	ROOF FRAMING DETAILS
S6.2	ROOF FRAMING DETAILS
S6.3	ROOF FRAMING DETAILS
S7.1	BRACE ELEVATIONS
S7.2	ELEVATION DETAILS

### PLUMBING

P1.1	FLOOR PLAN - FIRST FLOOR - AREA A - PLUMBING
P1.2	FLOOR PLAN - FIRST FLOOR - AREA B - PLUMBING
P1.3	FLOOR PLAN - SECOND FLOOR - PLUMBING
P1.4	FLOOR PLAN - THIRD FLOOR - PLUMBING
P1.5	FLOOR PLAN - FOURTH FLOOR - PLUMBING
P2.1	ROOF PLAN - PLUMBING
P3.1	PLUMBING SCHEDULE & DETAILS
P3.2	PLUMBING DETAILS
P4.1	PLUMBING RISER DIAGRAMS
P4.2	PLUMBING RISER DIAGRAMS
P4.3	PLUMBING RISER DIAGRAMS

### MECHANICAL

M1.1	FLOOR PLAN - FIRST FLOOR AREA A - HVAC
M1.2	FLOOR PLAN - FIRST FLOOR AREA B - HVAC
M1.3	FLOOR PLAN - SECOND FLOOR - HVAC
M1.4	FLOOR PLAN - THIRD FLOOR - HVAC
M1.5	FLOOR PLAN - FOURTH FLOOR - HVAC
M1.6	ROOF PLAN - HVAC
M2.1	SCHEDULES
M2.2	SCHEDULES
M3.1	CONTROLS
M4.1	DETAILS
M4.2	DETAILS

### ELECTRICAL

E1.0	SITE PLAN - ELECTRICAL
E1.1	FLOOR PLAN - FIRST FLOOR - AREA A - LIGHTING
E1.2	FLOOR PLAN - FIRST FLOOR - AREA B - LIGHTING
E1.3	FLOOR PLAN - SECOND FLOOR - LIGHTING
E1.4	FLOOR PLAN - THIRD FLOOR - LIGHTING
E1.5	FLOOR PLAN - FOURTH FLOOR - LIGHTING
E2.1	FLOOR PLAN - FIRST FLOOR - AREA A - POWER
E2.2	FLOOR PLAN - FIRST FLOOR - AREA B - POWER
E2.3	FLOOR PLAN - SECOND FLOOR - POWER
E2.4	FLOOR PLAN - THIRD FLOOR - POWER
E2.5	FLOOR PLAN - FOURTH FLOOR - POWER
E3.1	FLOOR PLAN - FIRST FLOOR - AREA A - SYSTEMS
E3.2	FLOOR PLAN - FIRST FLOOR - AREA B - SYSTEMS
E3.3	FLOOR PLAN - SECOND FLOOR - SYSTEMS
E3.4	FLOOR PLAN - THIRD FLOOR - SYSTEMS
E3.5	FLOOR PLAN - FOURTH FLOOR - SYSTEMS
E4.1	ROOF PLAN - ELECTRICAL
E5.1	ELECTRICAL SCHEDULES, DETAILS, & RISERS
E5.2	ELECTRICAL SCHEDULES, DETAILS, & RISERS
E6.1	ELECTRICAL POWER RISER & DETAILS
E6.2	ELECTRICAL PANEL SCHEDULES
E6.3	ELECTRICAL PANEL SCHEDULES
E6.4	ELECTRICAL PANEL SCHEDULES
E7.1	ELECTRICAL LEGENDS, DETAILS, & NOTES

TITLE SHEET

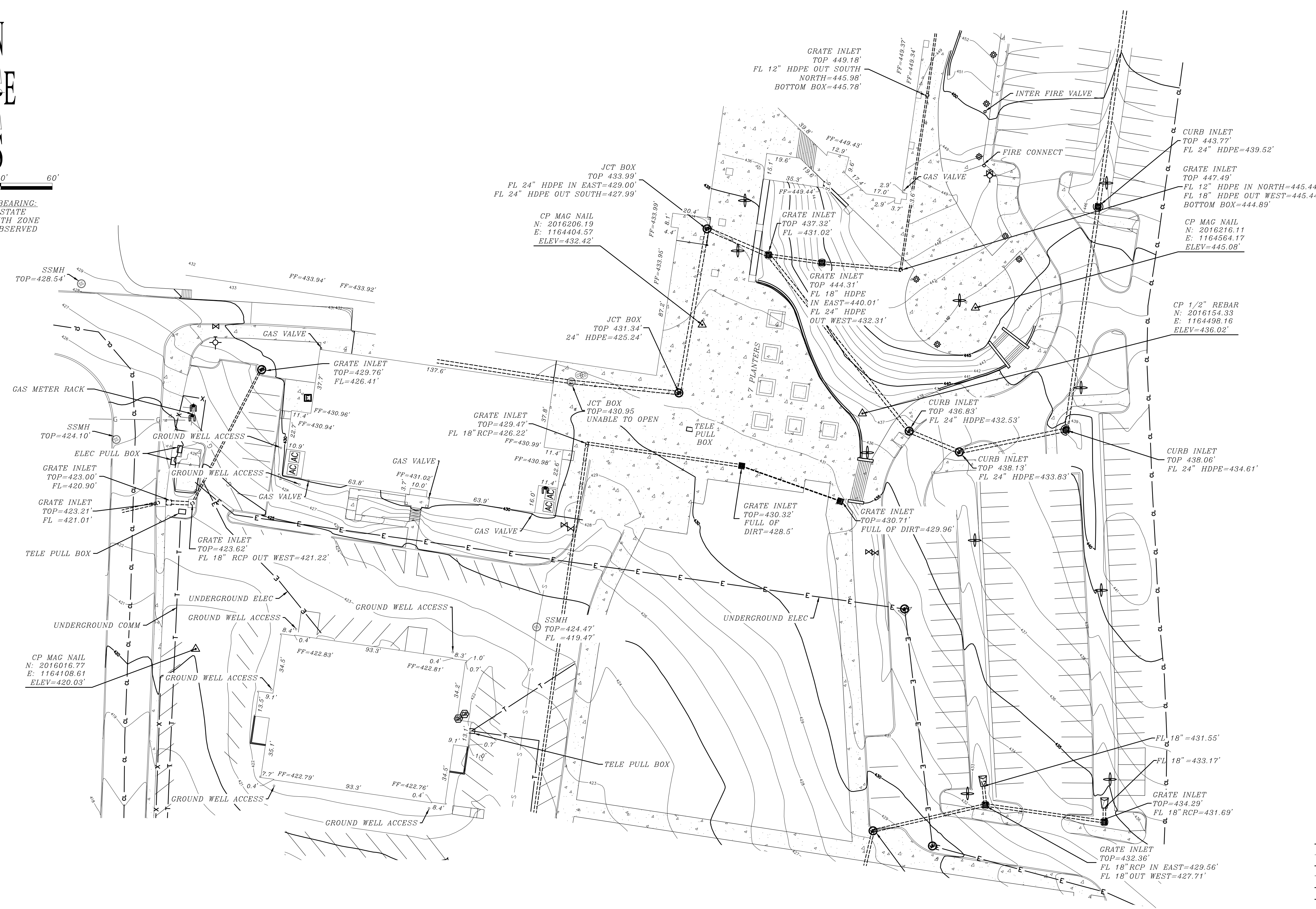
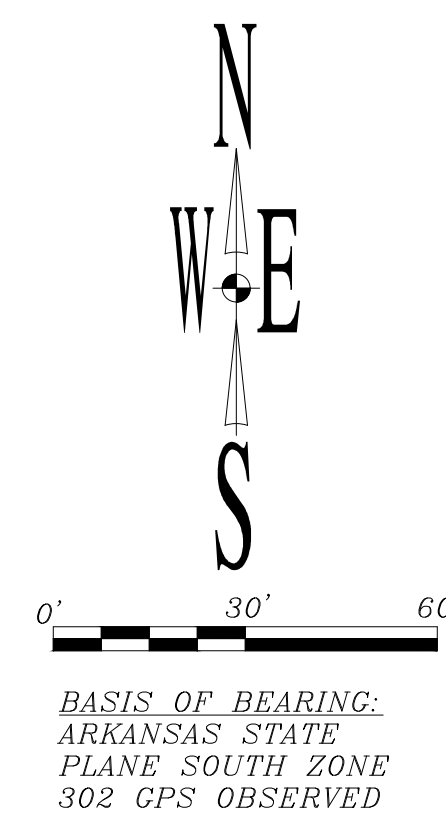
HIGH SCHOOL ADDITION  
BRYANT SCHOOL DISTRICT  
BRYANT, AR



DATE: 09 APRIL 2024  
PROJECT NO.: 23060  
DRAWN BY: NRW  
REVISION:

T1.1  
1 OF 1





VICINITY MAP

- LEGEND**
- ▲ Right of Way Monument
  - △ Control Points
  - Set Iron Pin
  - Found Monument
  - ⊕ Gas Regulator
  - ⊕ Gas Riser
  - ⊕ Gas Meter
  - ⊕ Clean Out
  - ⊕ Sanitary Sewer Manhole
  - ⊕ Telephone Pedestal
  - ⊕ Electric Meter
  - ⊕ Electric Box
  - ⊕ Power Pole
  - ⊕ Guy Wire Anchor
  - ⊕ Light Pole
  - ⊕ Center Line
  - ⊕ Flag Pole
  - ⊕ Fire Hydrant
  - ⊕ Water Hydrant
  - ⊕ Down Spout
  - ⊕ Water Meter
  - ⊕ Water Valve
  - ⊕ Metal Drainage Grate
  - ⊕ Gate Post
  - ⊕ Ground Light
  - ⊕ Sign
  - ⊕ Junction Box
  - ⊕ Handicap Parking
  - ⊕ Manhole
  - ⊕ Bollard
  - ⊕ Mailbox
  - ⊕ RPZ Valve
  - ⊕ Tree
  - ⊕ Vault
  - ⊕ Air Conditioner
  - Flow Direction
  - ▭ Flared End Section
  - Telephone Line
  - Sanitary Sewer Main
  - Electric Line
  - Underground Gas
  - Watertline
  - Fence
  - Fiber Optic
  - ○ ○ ○ ○ Tree Line
  - ▭ Concrete

**CERTIFICATE**

THE UNDERSIGNED, A REGISTERED LAND SURVEYOR HEREBY CERTIFIES THAT: (A) THIS SURVEY AND THE PROPERTY DESCRIPTION SET FORTH HEREON ARE TRUE AND CORRECT AND PREPARED FROM AN ACTUAL ON-THE-GROUND SURVEY OR THE REAL PROPERTY SHOWN HEREON; (B) SUCH SURVEY WAS CONDUCTED BY THE SURVEYOR OR UNDER HIS DIRECT SUPERVISION; (C) ALL MONUMENTS SHOWN HEREON ACTUALLY EXIST AND THE LOCATION, SIZE AND TYPE OF MATERIAL THEREOF ARE CORRECTLY SHOWN; (D) DISTANCES ARE GIVEN IN FEET AND DECIMAL PART THEREOF; (E) THE BOUNDARIES, DIMENSIONS, AND OTHER DETAILS SHOWN HEREON ARE TRUE AND CORRECT.

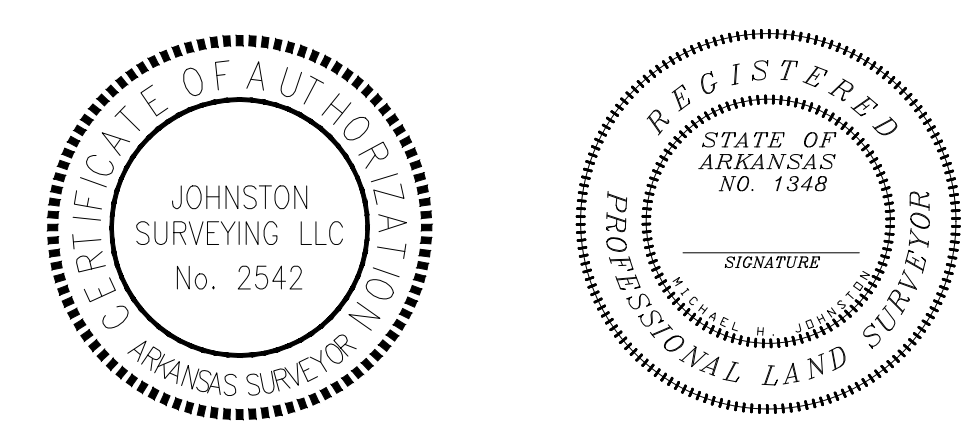
FOR THE USE AND BENEFIT OF:

BY \_\_\_\_\_ REGISTERED LAND SURVEYOR # 1348 \_\_\_\_\_ DATE 1/9/24

**Flood Information**  
This property lies within Zone X according to Federal Flood Insurance Rate Map Community Panel No. 5125C0380E, effective June 5, 2020.

Note:  
All utilities shown per visible field evidence, lines marked on the ground, or verbal communication from onsite utility personnel. Surveyor is not responsible for existing underground utilities that are incorrectly located, omitted from or added to this plat.

SHEET 1 OF 2



**JOHNSTONE SURVEYING, INC.**  
37027 HWY 300  
ROLAND, AR 72135  
501-837-5643  
MJohnstoneurveying@gmail.com

BRYANT SD3 HS  
200 NE 4TH STREET  
BRYANT, AR 72022

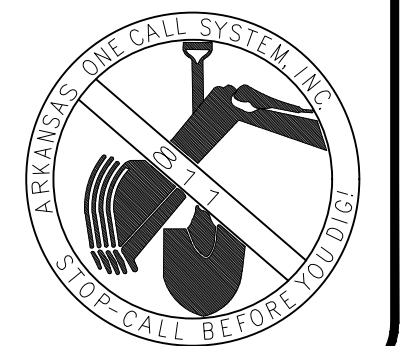
DATE: 1/9/2024  
SCALE: 1"=30'  
DRAWN BY: H. GRAFTENREED  
CHECKED BY: M. JOHNSON  
FILE NAME: CO.1\_Survey

HIGH SCHOOL ADDITION  
BRYANT SCHOOL DISTRICT  
BRYANT, ARKANSAS

EXISTING CONDITIONS  
SURVEY

DATE: 04-09-24  
PROJECT NO: 23060  
DRAWN BY: JM  
REVISION:

C0.1  
1 of 6

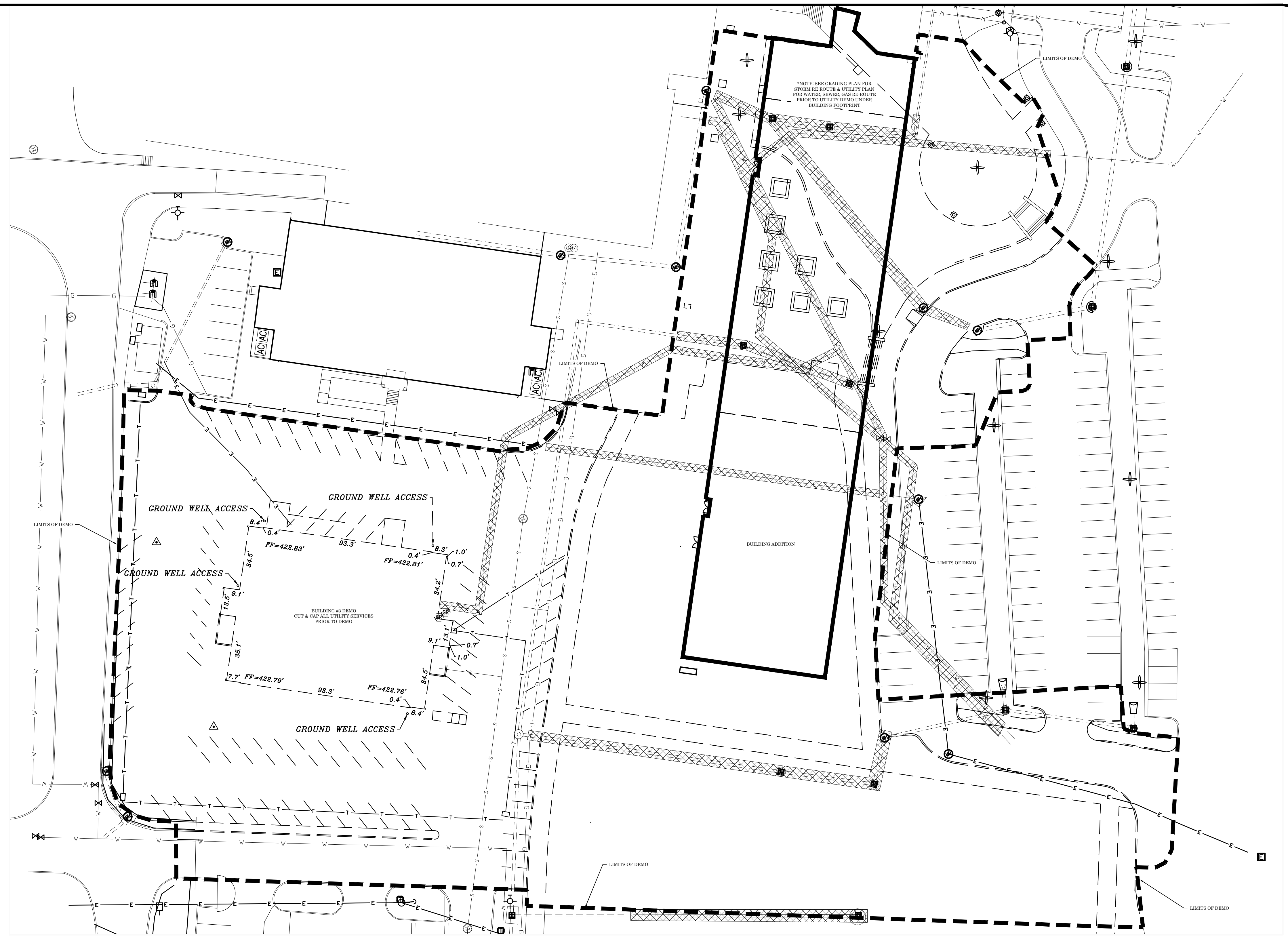




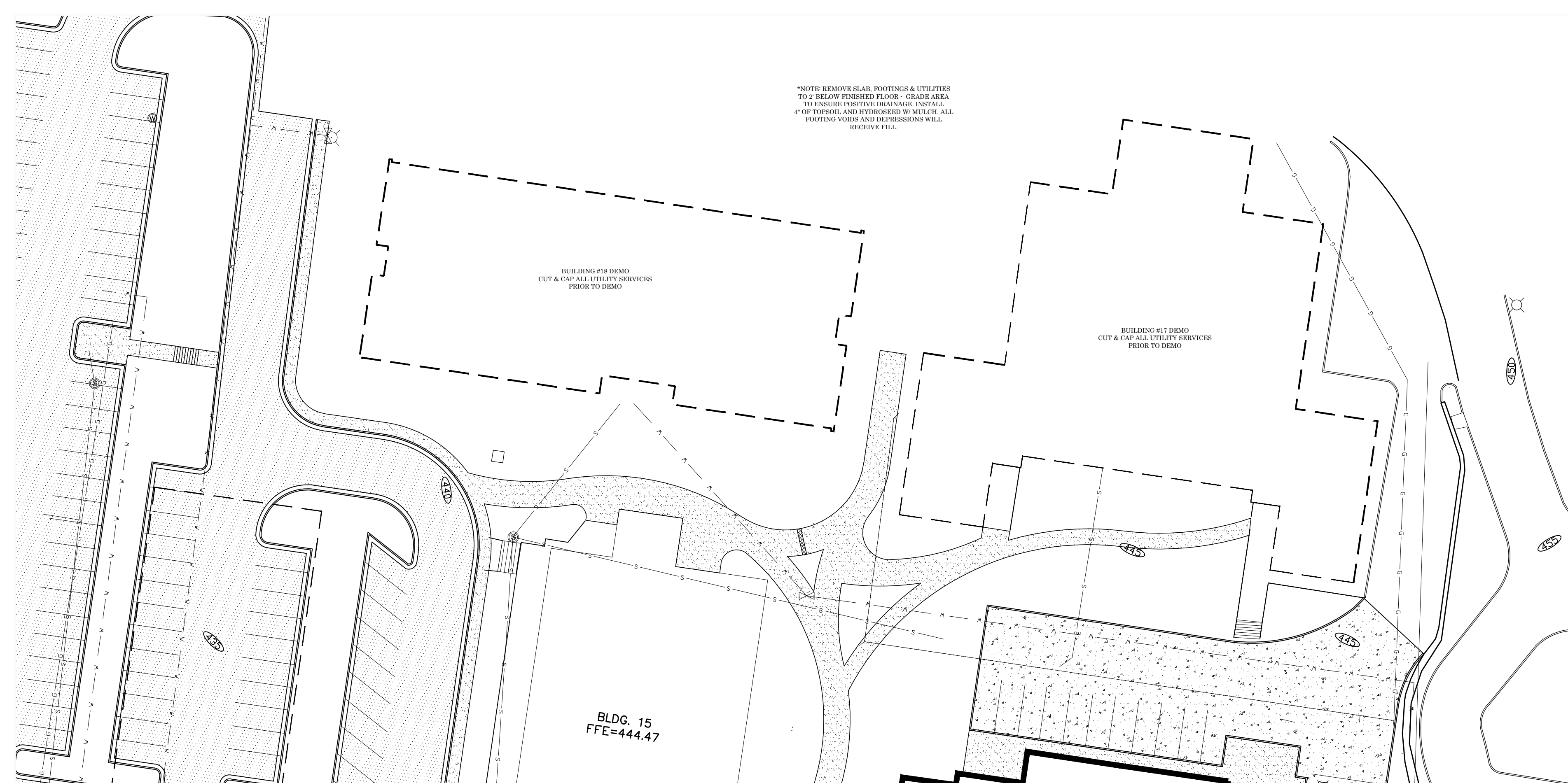




SITE LEGEND	
100	EX. CONTOUR LINE
PL	PROPERTY LINE
S	EX. SEWER LINE
G	EX. GAS LINE
E	EX. OVERHEAD ELECTRIC
V	EX. WATER LINE
(Tree Symbol)	EX. TREE
100	PR. CONTOUR
V	PR. WATER
S	PR. SEWER
G	PR. GAS
ST	PR. STORM PIPE
(Hatched Box)	UTILITY TO BE REMOVED OR ABANDONED
(Triangle)	PR. WATERLINE BLOCKING
(Dashed Box)	PR. CONCRETE
TS	TOP OF SIDEWALK
TP	TOP OF PAVEMENT
TC	TOP OF CURB
TG	TOP OF GROUND
TV	TOP OF WALL
RCAP	REINFORCED ARCH CONCRETE PIPE
CPP	CORRUGATED PLASTIC PIPE
FL	FLOW LINE
C.D.T.G.	CLEAN OUT TO GRADE
EX	EXISTING
PR	PROPOSED
ND	NOT IN CONTRACT

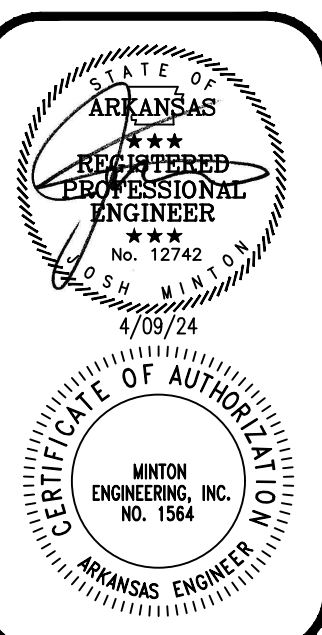


**1**  
**C1.0** **SITE DEMOLITION PLAN - BUILDING ADDITION**  
 SCALE: 1" = 30'  
 0 30 60



**2**  
**C1.0** **SITE DEMOLITION PLAN - BUILDINGS #17 & #18**  
 SCALE: 1" = 30'  
 0 30 60

- GENERAL SITE DEMOLITION NOTES:**
- ALL BIDDERS SHALL FIELD VERIFY EXIST SITE CONDITIONS SO AS TO BE FAMILIAR WITH PROJECT PRIOR TO BIDDING WORK INCLUDED IN THIS CONTRACT. THE CONTRACTOR WILL BE RESPONSIBLE FOR THE DEMOLITION OF ANY UTILITIES, FACILITIES, STRUCTURES, ECT. IN THE OUTLINED AREA NOT SHOWN ON THIS PLAN BUT NECESSARY TO COMPLETE THIS PROJECT. ANY DISCREPANCIES SHALL BE ADDRESSED PRIOR TO BIDDING.
  - DEMOLITION SCOPE:
    - CONTACT ENERGY TO REMOVE METERS AND SERVICE POLES TO BUILDINGS BEING REMOVED.
    - CUT & CAP ALL UNDERGROUND UTILITY SERVICES TO BUILDINGS BEING REMOVED.
    - REMOVE ALL EXISTING UTILITIES TO 10' OUTSIDE NEW BUILDING FOOTPRINT. BACKFILL TRENCHES WITH SELECT MATERIAL COMPACTED.
    - REMOVE ALL HARDSCAPE (CONCRETE, ASPHALT, FENCING, LANDSCAPING, ECT) INSIDE THE LIMITS OF DEMOLITION.
  - THE CONTRACTOR WILL COORDINATE ALL DEMOLITION ACTIVITIES WITH THE OWNER, ARCHITECT & LOCAL UTILITY COMPANIES.
  - THE EXISTING CONDITIONS SHOWN WERE TAKEN OFF OF A TOPOGRAPHIC SURVEY PROVIDED BY THE OWNER - ANY DISCREPANCIES SHOULD BE ADDRESSED PRIOR TO BIDDING.



DATE: 04-09-24  
 PROJECT NO: 23000  
 DRAWN BY: JM  
 REVISION:

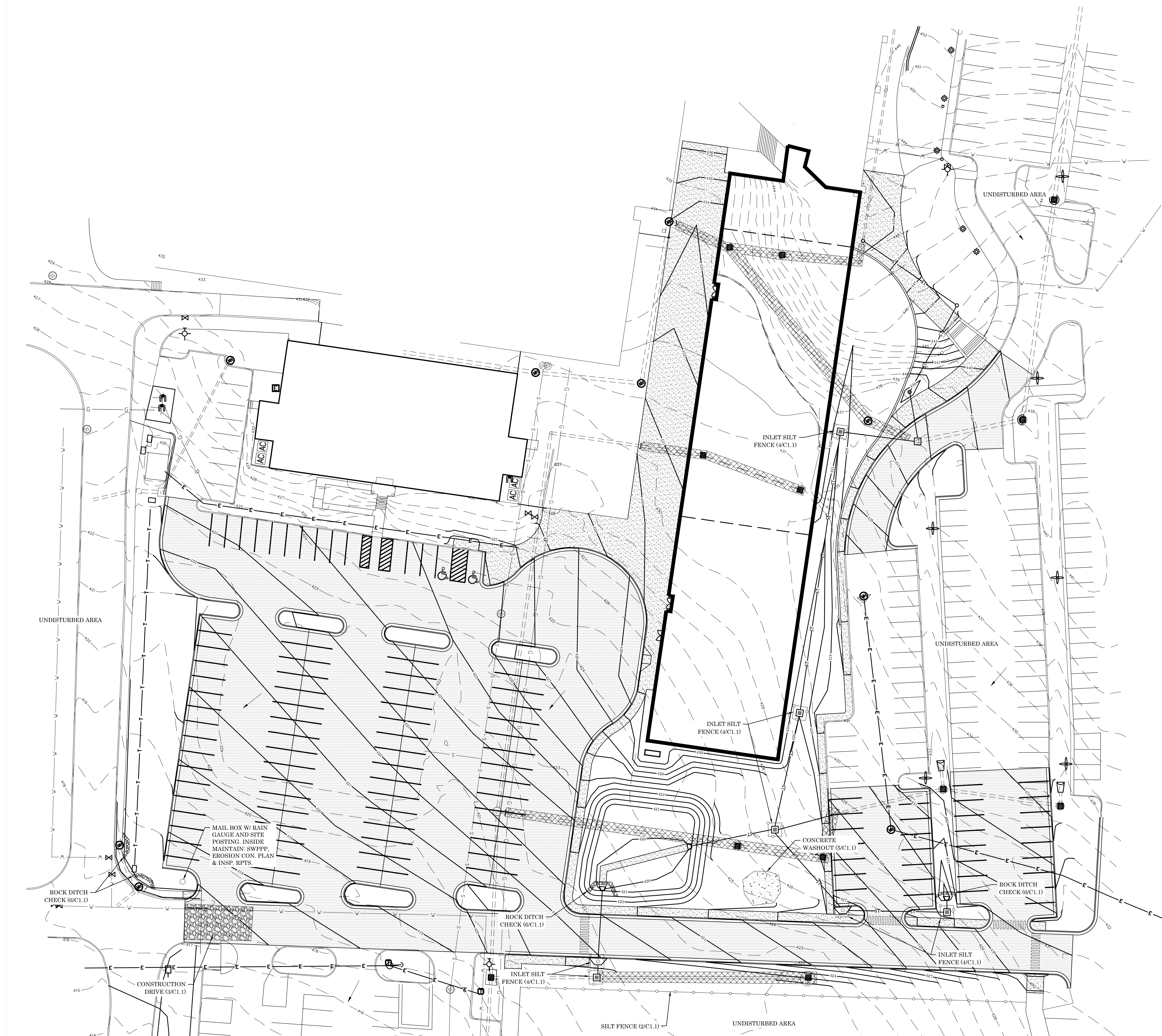


**GENERAL EROSION CONTROL NOTES:**

1. THE CONTRACTOR WILL PRODUCE A STORM WATER POLLUTION PREVENTION PLAN (SWPPP) THAT MEETS THE REQUIREMENTS SET FORTH BY THE ARKANSAS DEPARTMENT OF ENVIRONMENTAL QUALITY.
2. THE CONTRACTOR WILL FILL OUT INSPECTION REPORTS AND LOG RAINFALL DATA AS REQUIRED BY THE SWPPP.
3. THE CONTRACTOR WILL INSTALL ALL EROSION CONTROL MEASURES PRIOR TO COMMENCING DIRTWORK ACTIVITIES ON THIS SITE.
4. THE CONTRACTOR WILL IMMEDIATELY CLEAN UP ANY SEDIMENT THAT LEAVES THIS SITE.
5. THE CONTRACTOR WILL RE-ESTABLISH ALL DISTURBED AREAS IN ACCORDANCE WITH THE SWPPP.
6. THE CONTRACTOR WILL REMOVE ALL EROSION CONTROL MEASURES ONCE THE SITE HAS BEEN RE-ESTABLISHED.

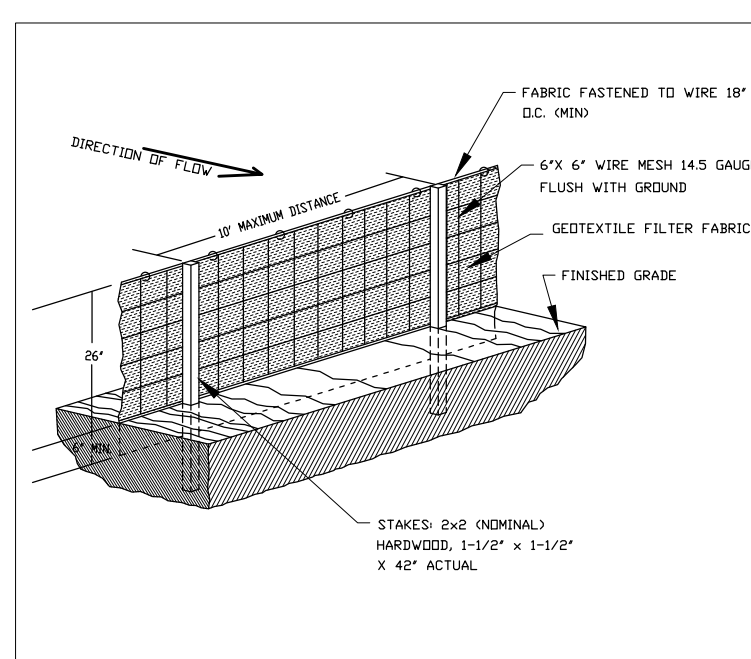
**SITE LEGEND:**

---	EX. CONTOUR LINE
---	PROPERTY LINE
S---	EX. SEWER LINE
G---	EX. GAS LINE
E---	EX. OVERHEAD ELECTRIC
W---	EX. WATER LINE
100	EX. TREE
---	PR. CONTOUR
W	PR. WATER
S	PR. SEWER
G	PR. GAS
ST	PR. STORM PIPE
---	UTILITY TO BE REMOVED OR ABANDONED
▶	PR. WATERLINE BLOCKING
---	PR. CONCRETE
TS	TOP OF SIDEWALK
TP	TOP OF PAVEMENT
TC	TOP OF CURB
TG	TOP OF GROUND
TW	TOP OF WALL
RCAP	REINFORCED ARCH CONCRETE PIPE
CPP	CORRUGATED PLASTIC PIPE
FL	FLDW LINE
C.D.T.G.	CLEAN OUT TO GRADE
EX	EXISTING
PR	PROPOSED
NIC	NOT IN CONTRACT

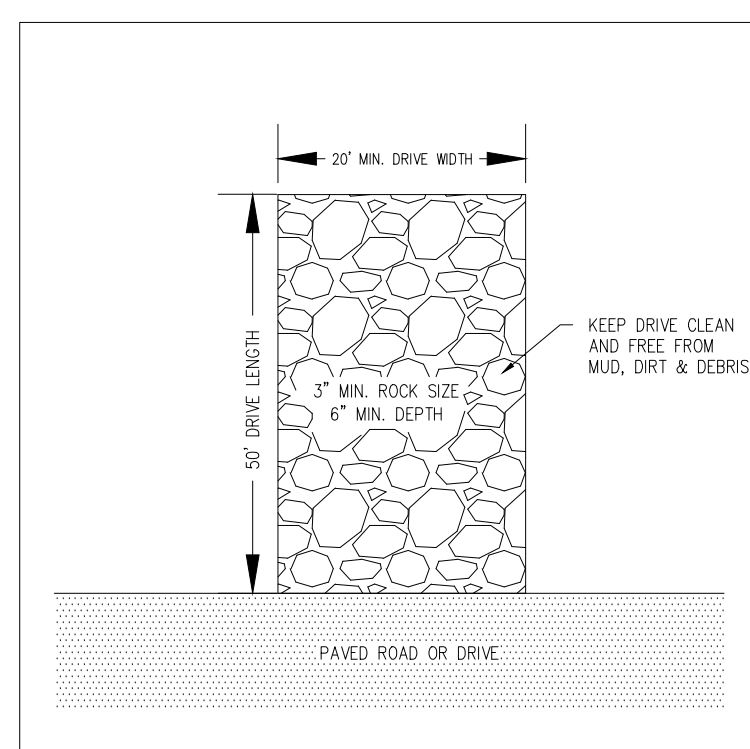


**SITE EROSION CONTROL PLAN**

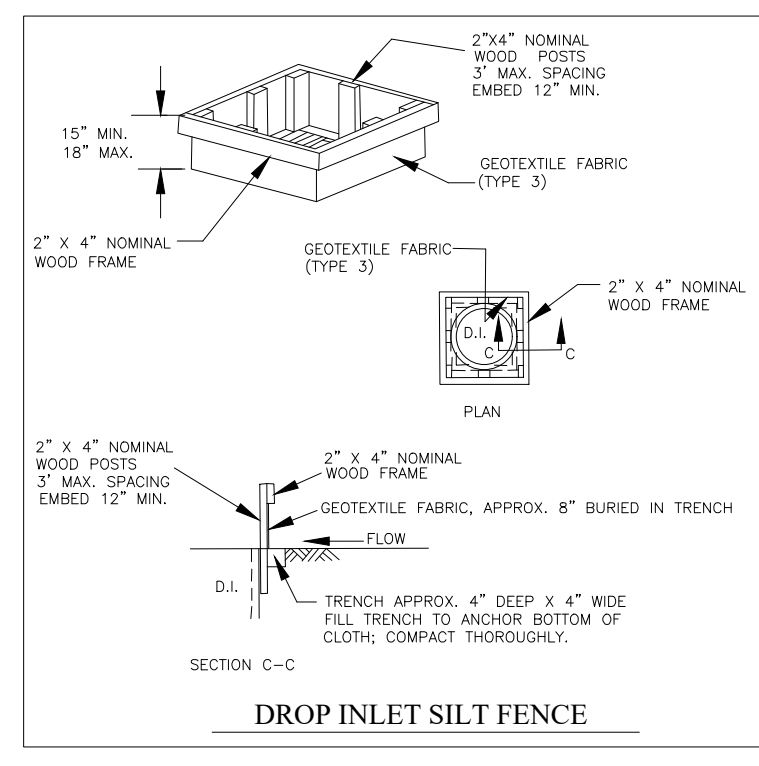
SCALE: 1" = 30'  
0 30 60



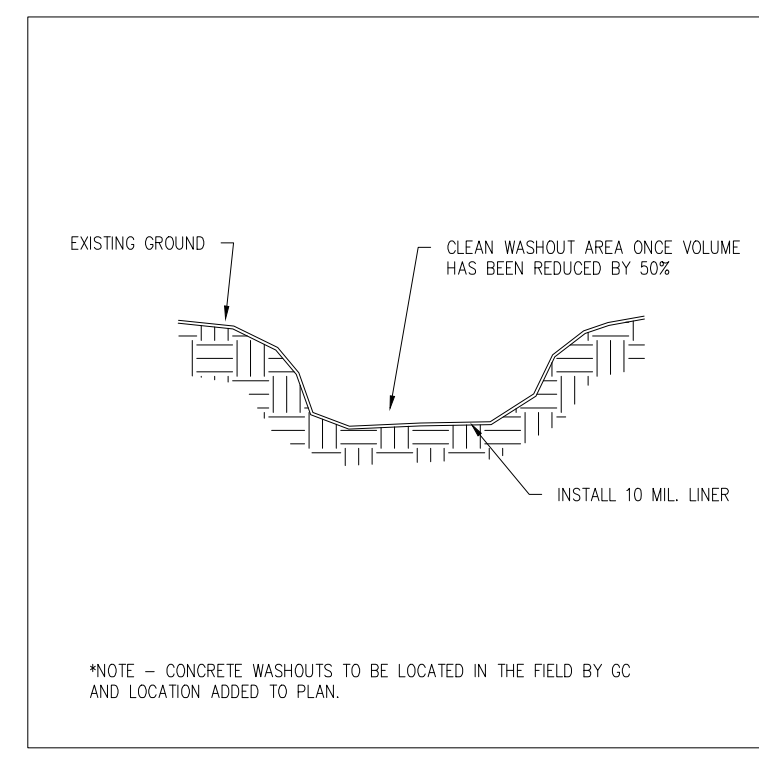
**2 SILT FENCE DETAIL**  
SCALE: N.T.S.



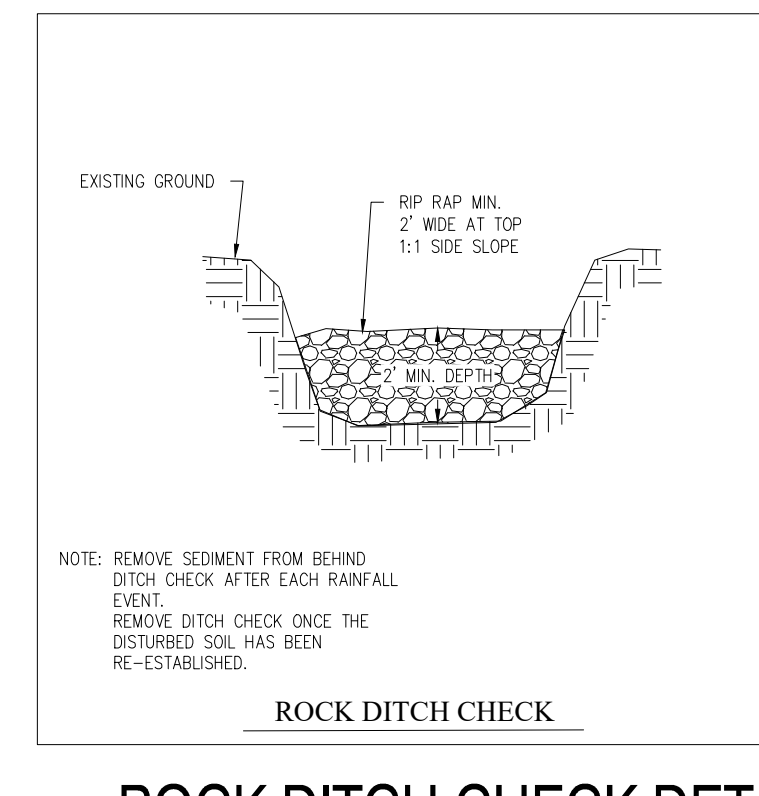
**3 CONSTRUCTION DRIVE DETAIL**  
SCALE: N.T.S.



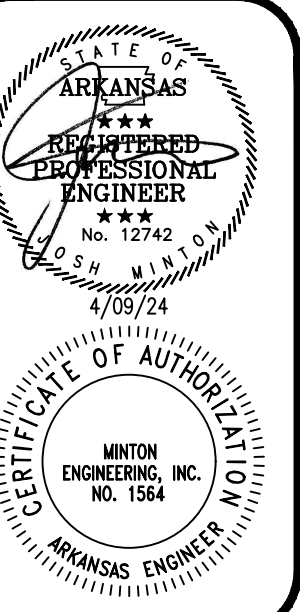
**4 INLET SILT FENCE DETAIL**  
SCALE: N.T.S.



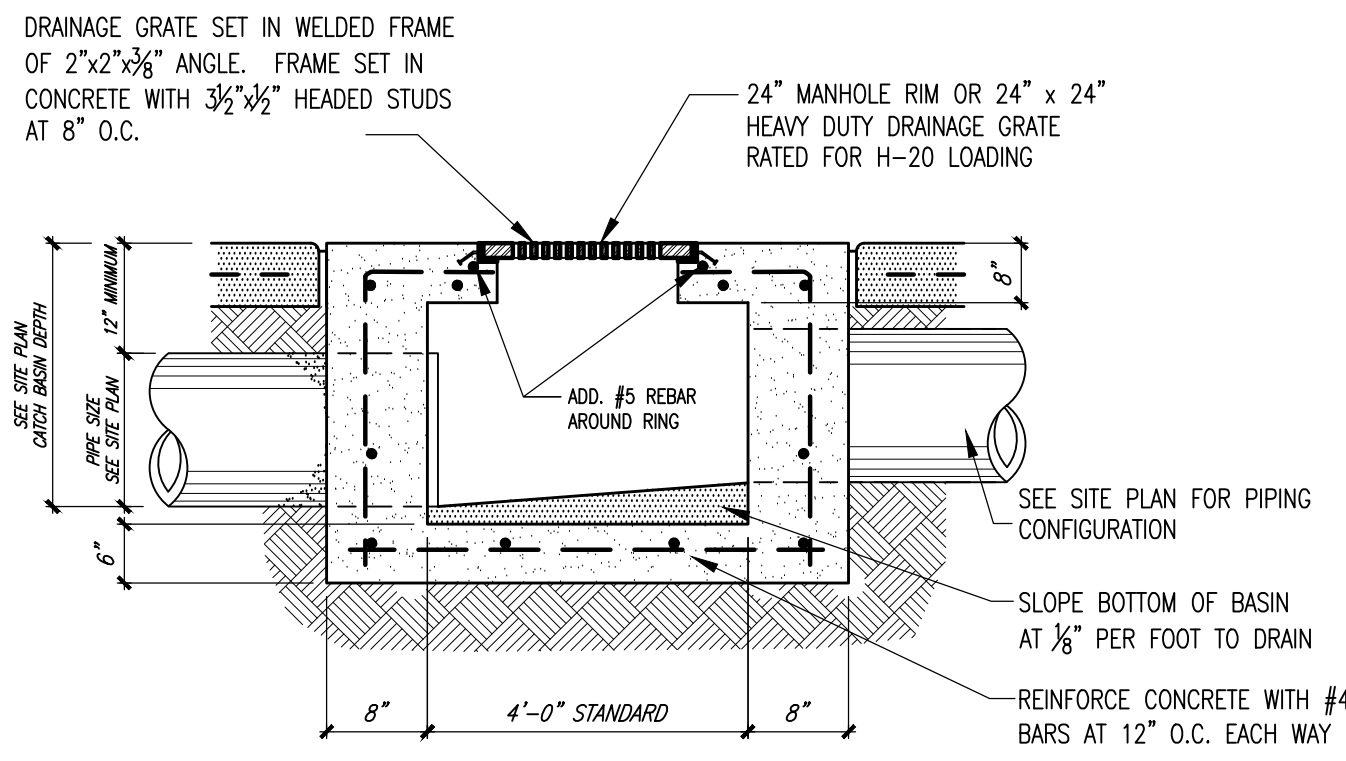
**5 CONCRETE WASHOUT DETAIL**  
SCALE: N.T.S.



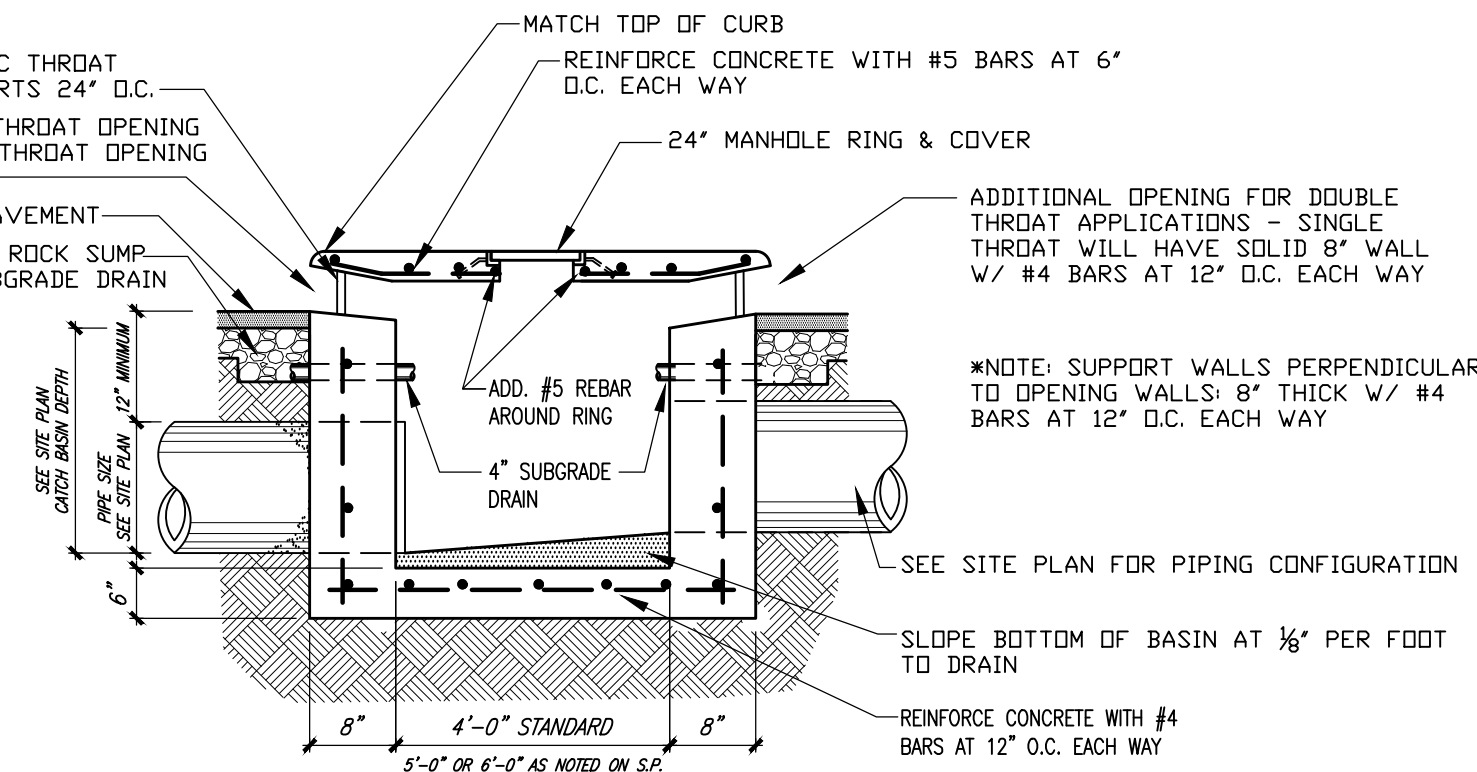
**6 ROCK DITCH CHECK DETAIL**  
SCALE: N.T.S.



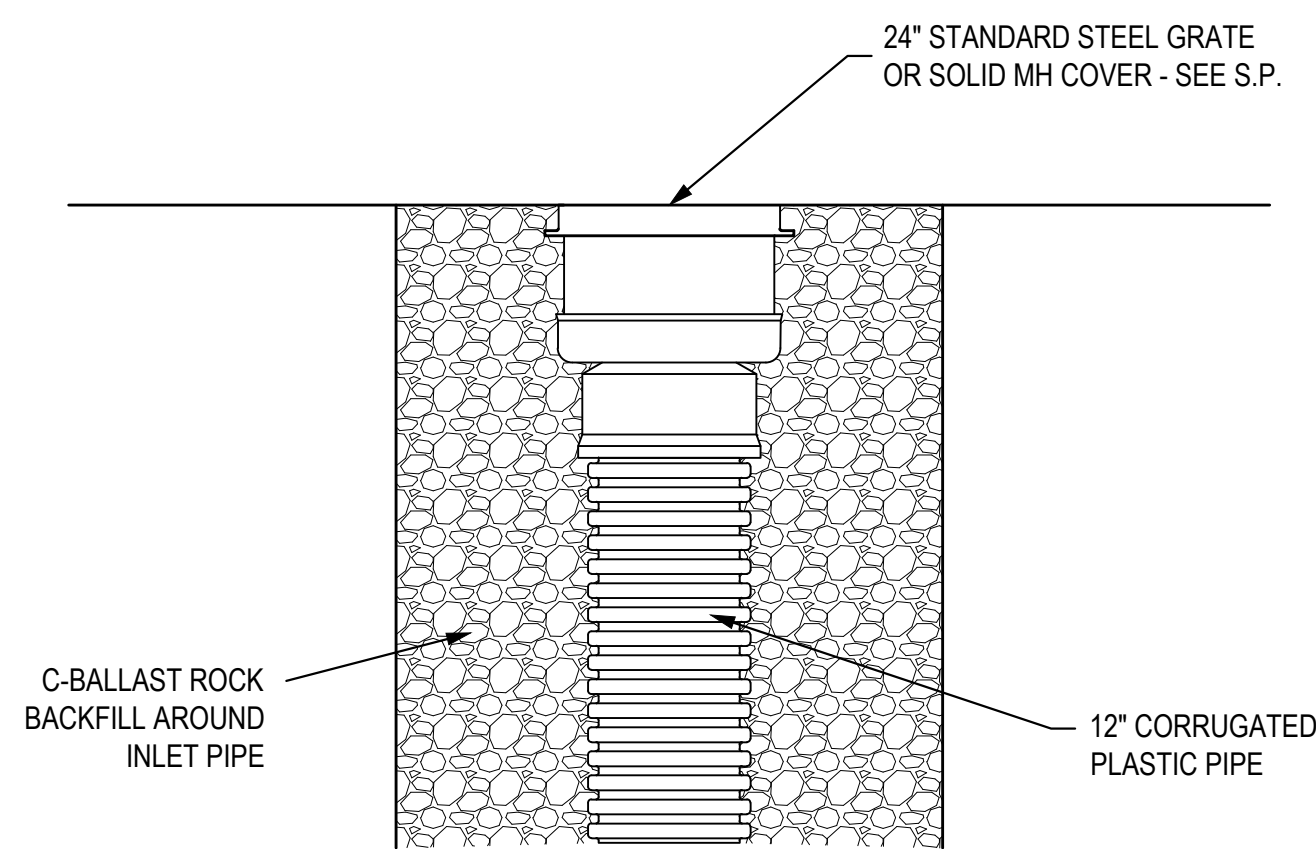




2 STORM DRAINAGE JUNCTION BOX (J.B.) DETAIL  
C1.2 NOT TO SCALE



3 STORM DRAINAGE CURB INLET (C.I.) DETAIL  
C1.2 NOT TO SCALE



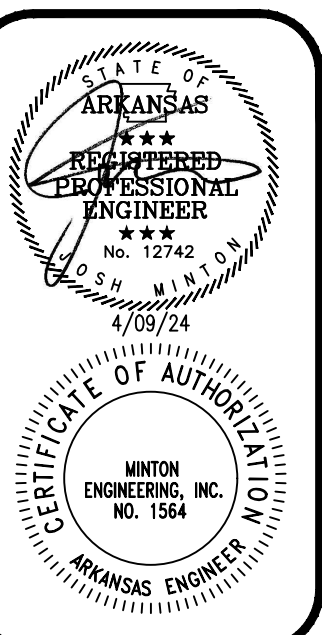
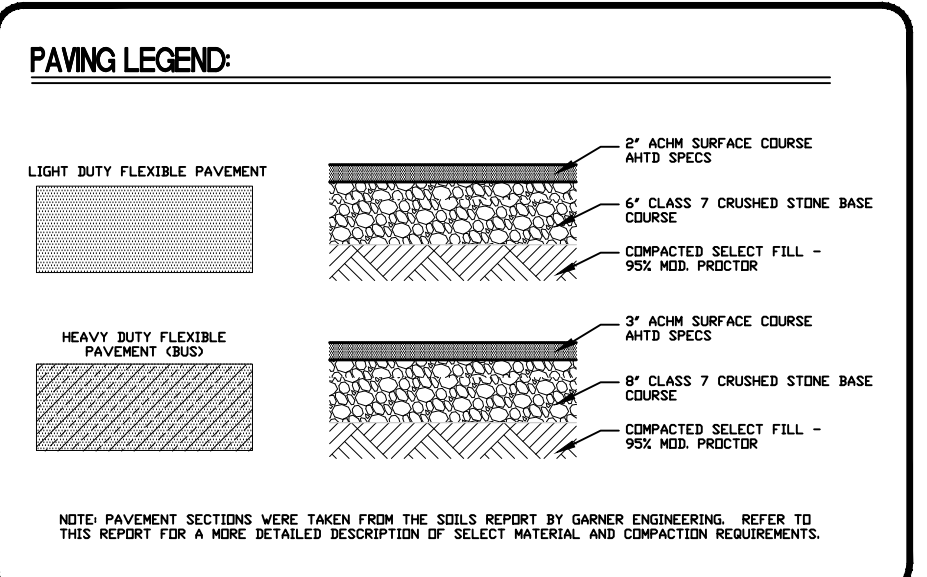
4 INLINE DRAIN DETAIL  
C1.2 N.T.S.

SITE LEGEND	
---	EX. CONTOUR LINE
---	PROPERTY LINE
S	EX. SEWER LINE
G	EX. GAS LINE
E	EX. OVERHEAD ELECTRIC
W	EX. WATER LINE
○	EX. TREE
100	PR. CONTOUR
V	PR. WATER
S	PR. SEWER
G	PR. GAS
ST	PR. STORM PIPE
▨	UTILITY TO BE REMOVED OR ABANDONED
▨	PR. WATERLINE BLOCKING
▨	PR. CONCRETE
TS	TOP OF SIDEWALK
TP	TOP OF PAVEMENT
TC	TOP OF CURB
TG	TOP OF GROUND
TW	TOP OF WALL
RCAP	REINFORCED ARCH CONCRETE PIPE
CPP	CDRUGATED PLASTIC PIPE
FL	FLDW LINE
C.D.T.G.	CLEAN OUT TO GRADE
EX.	EXISTING
PR.	PROPOSED
ND	NOT IN CONTRACT



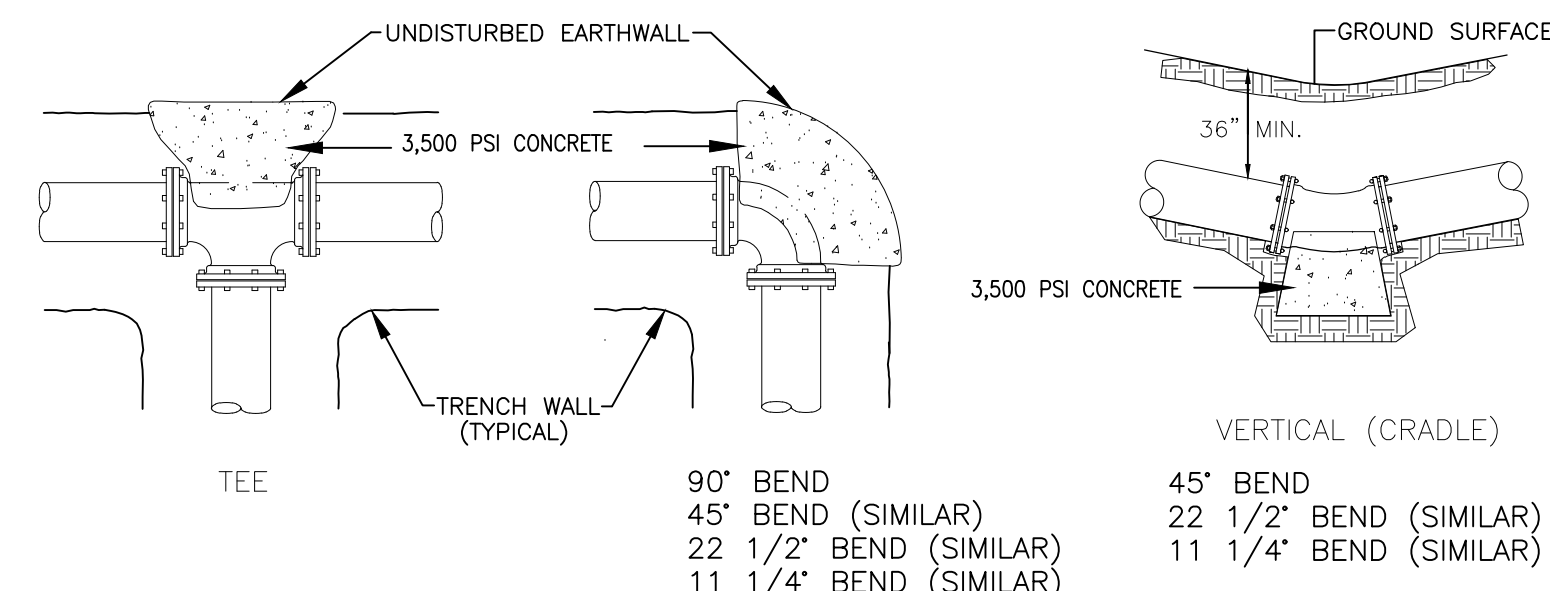
1 SITE GRADING & STORM DRAINAGE PLAN  
SCALE: 1" = 30'  
0 30 60

- GENERAL SITE GRADING NOTES:**
1. ALL EXISTING UTILITIES SHALL BE LOCATED AND MARKED PRIOR TO CONSTRUCTION. ANY UNIDENTIFIED UTILITIES SHALL BE REVEALED PRIOR TO CONSTRUCTION. CONTRACTOR SHALL VERIFY AND MARK ALL EXISTING UTILITIES PRIOR TO ANY REMEDIATION OR NEW CONSTRUCTION WORK COMMENCING.
  2. ALL WORK SHALL CONFORM TO LOCAL AND STATE CODES, ELECTRICAL & PLUMBING LINES SHALL BE INSTALLED BY PROFESSIONALS LICENSED BY THE STATE OF ARKANSAS.
  3. FIELDS WITH EXISTING UTILITIES OR EXISTING TREES SHALL BE PROTECTED BY CONSTRUCTION AREA TO BE PROTECTED WITH 2x4 WOOD PLANKS CONT. IN LINE WITH CURB EDGE OF TREE, SECURED TOGETHER & PLACED OVER TREE. CONTRACTOR SHALL BE RESPONSIBLE FOR ANY DAMAGE TO TREE FROM EXISTING UTILITIES. CONTRACTOR SHALL BE RESPONSIBLE FOR ANY DAMAGE TO TREE FROM EXISTING UTILITIES. CONTRACTOR SHALL BE RESPONSIBLE FOR ANY DAMAGE TO TREE FROM EXISTING UTILITIES.
  4. THE GENERAL CONTRACTOR SHALL HAVE THE GEOTECHNICAL ENGINEER EMPLOYED TO OBSERVE SITE WORK WITH THE GEOTECHNICAL ENGINEER THAT PROVIDED THE SOILS REPORT. THIS MEETING SHOULD OCCUR AT LEAST BEFORE THE PRE-CONSTRUCTION MEETING TO REVIEW THE AMOUNT OF OVERBURDEN THAT MAY BE REQUIRED FOR THE PROJECT. RECOMMENDATIONS OF THE GEOTECHNICAL ENGINEER SHALL NOT BE IMPLEMENTED INTO WORK WITHOUT AUTHORIZATION FROM OWNER & ARCHITECT. NOTIFY ARCHITECT IMMEDIATELY IF UNEXPECTED SUBSURFACE CONDITIONS ARE ENCOUNTERED. THE CONTRACTOR WILL RETAIN THE GEOTECHNICAL REPORT FOR A MORE DETAILED DESCRIPTION OF EARTHWORK AND CONSTRUCTION REQUIREMENTS.
  5. SEQUENCE OF EARTHWORK ACTIVITIES (REFERENCE GEOTECH REPORTS) SHALL BE DETERMINED BY THE CONTRACTOR. ALL EXISTING IMPROVEMENTS WILL BE REMOVED AS NECESSARY FOR SITE CONSTRUCTION. SEE DEMO PLAN. EXISTING UTILITIES SHALL BE REVEALED PRIOR TO CONSTRUCTION. ALL UTILITIES SHALL BE PROTECTED PRIOR TO CONSTRUCTION. ALL UTILITIES SHALL BE PROTECTED PRIOR TO CONSTRUCTION. ALL UTILITIES SHALL BE PROTECTED PRIOR TO CONSTRUCTION.
  6. ALL SIDEWALK, SIDEWALK JUNCTION CURB, STAIR HANDCAP SPAN & WALL DETAILS WILL BE SHOWN ON THE ARCHITECTURAL SITE PLANS.



DATE: 04-09-24  
PROJECT NO: 23090  
DRAWN BY: JM  
REVISION:

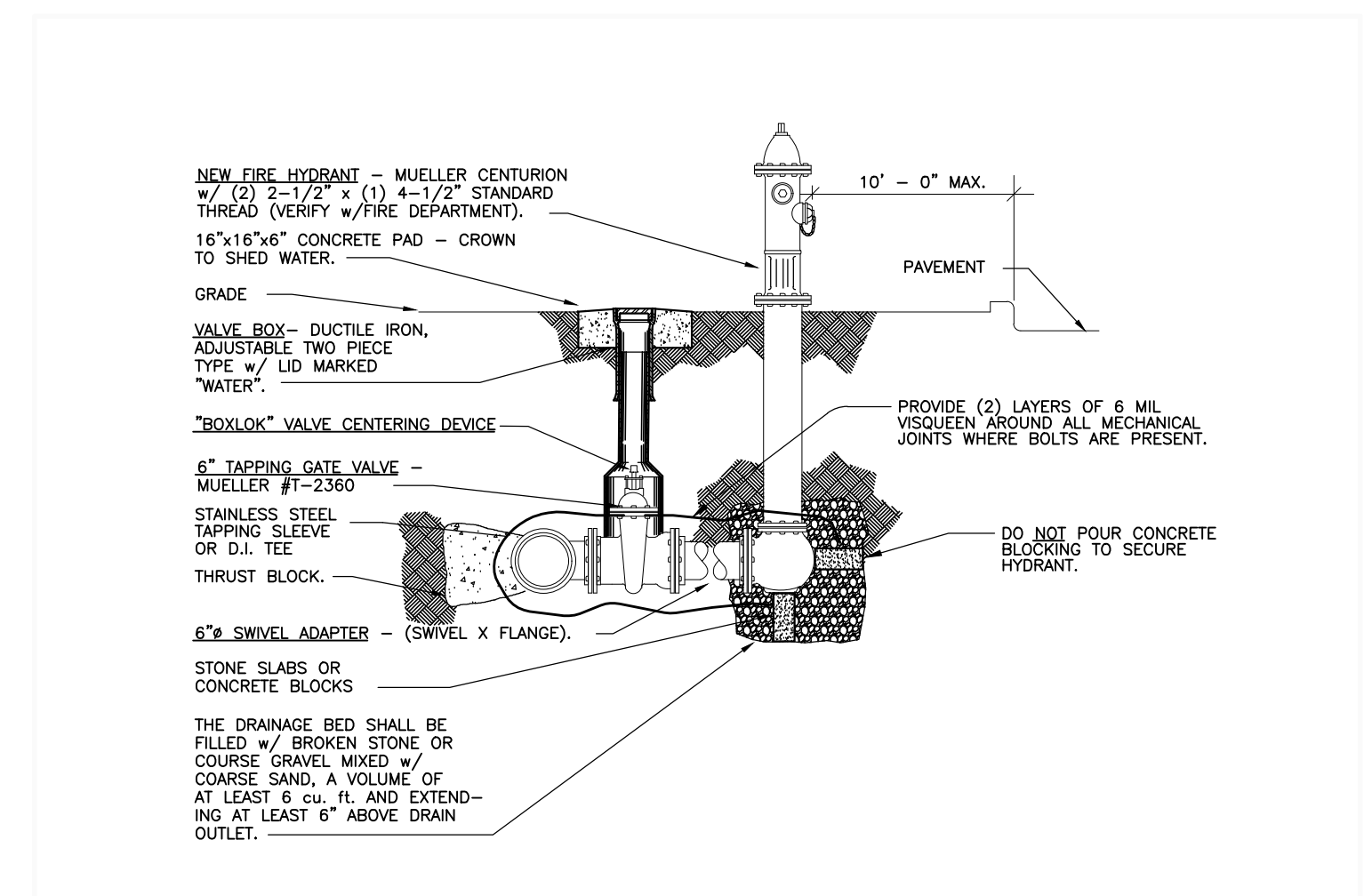




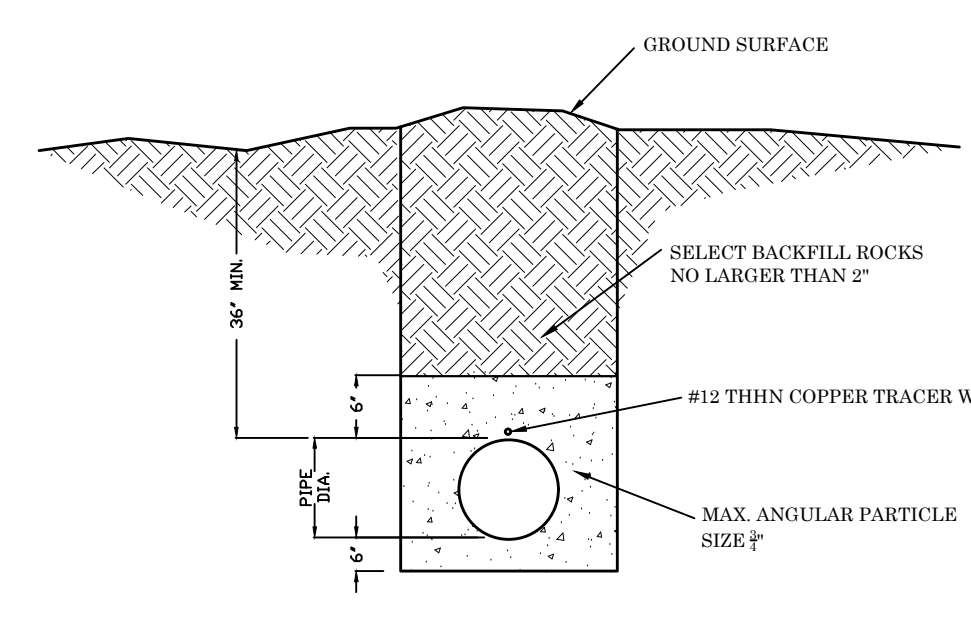
- NOTES:
- All fittings shall be mechanical joint with retainer glands.
  - Do not cover bells or flanges with concrete.
  - Wrap all fittings with visqueen.
  - Back all tees according to size of branch.
  - Backing future line extensions shall be such that later removal is possible.
  - All bends where fittings are used, both horizontal and vertical, shall be backed.
  - Reaction backing table is based on 150 p.s.i. and soil bearing pressure of 2,500 lb./sq. ft. Additional backing may be required in some areas as directed by engineer.

SIZE	TYPE OF FITTINGS				
	TEE OR PLUG/CAP	90°	45°	22 1/2°	11 1/4°
2'-4"	2	2	1	1	1
6"	3	3	2	1	1
8"	4	4	3	2	2
12"	10	10	5	3	2
18"	28	28	14	7	4
24"	38	38	20	10	7
30"	59	59	32	16	10

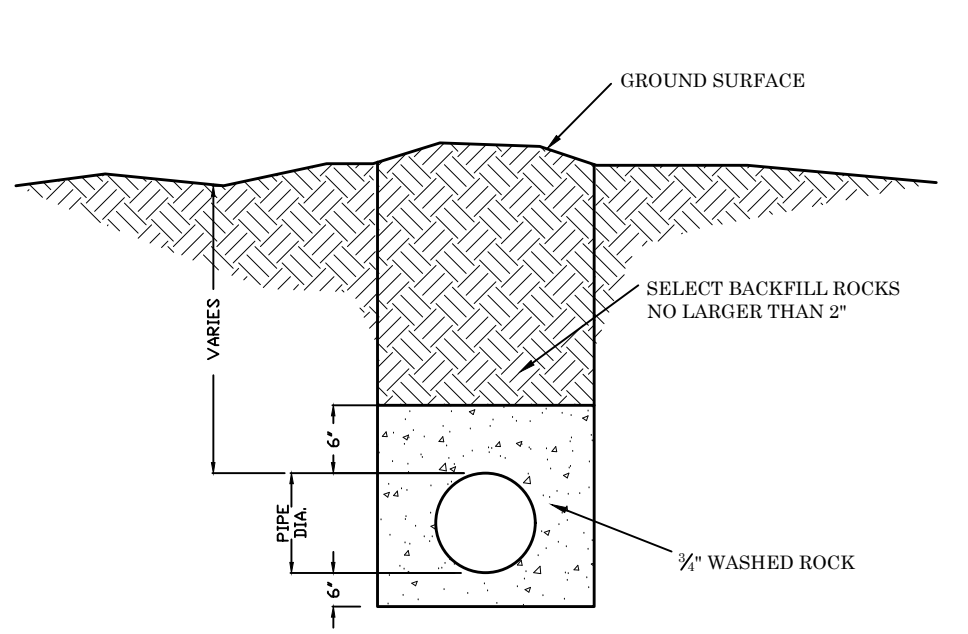
**2 WATERLINE BLOCKING DETAIL**  
C1.3 NOT TO SCALE



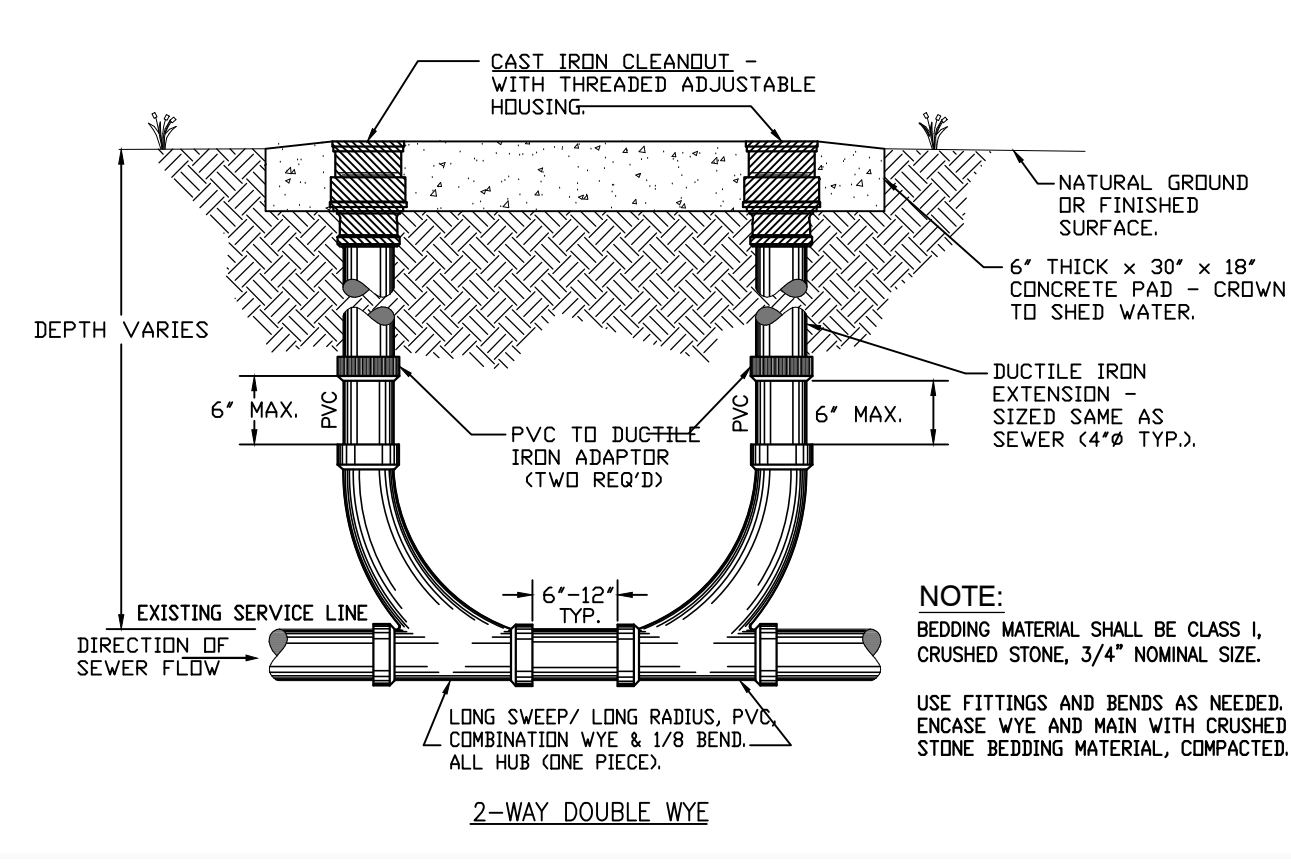
**3 FIRE HYDRANT DETAIL**  
C1.3 NOT TO SCALE



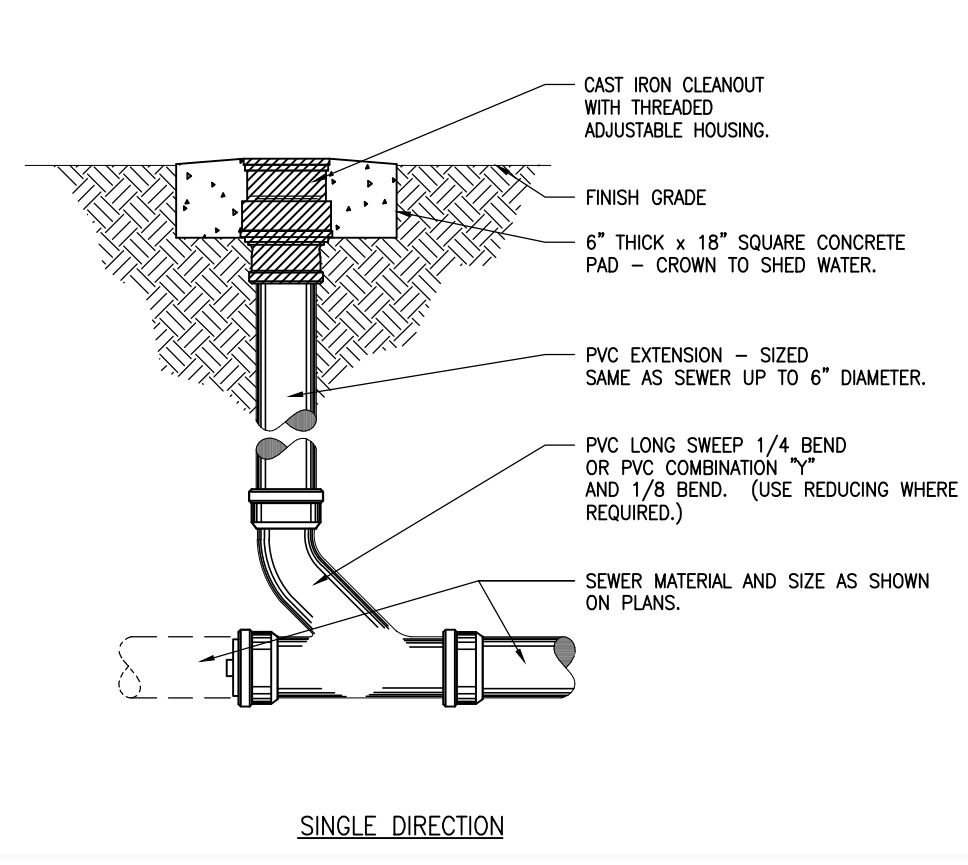
**4 WATER BEDDING DETAIL**  
C1.3 NOT TO SCALE



**5 SEWER BEDDING DETAIL**  
C1.3 NOT TO SCALE



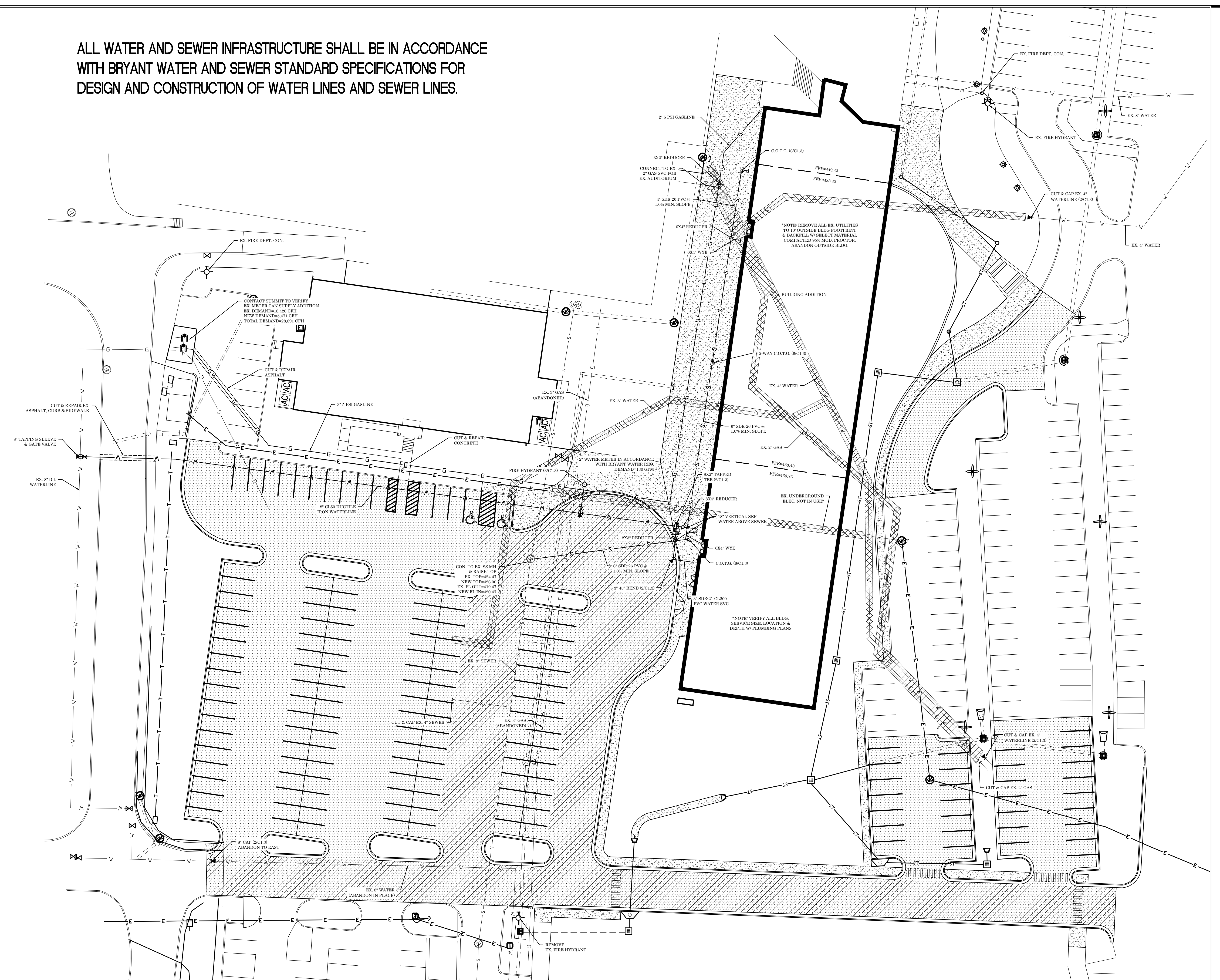
**6 CLEANOUT TO GRADE (C.O.T.G.) DETAIL**  
C1.3 NOT TO SCALE



**SITE LEGEND:**

- 100 --- EX. CONTOUR LINE
- PL --- PROPERTY LINE
- S --- EX. SEWER LINE
- G --- EX. GAS LINE
- E --- EX. OVERHEAD ELECTRIC
- W --- EX. WATER LINE
- EX. TREE
- 100 PR. CONTOUR
- V PR. WATER
- S PR. SEWER
- G PR. GAS
- ST PR. STORM PIPE
- UTILITY TO BE REMOVED OR ABANDONED
- PR. WATERLINE BLOCKING
- PR. CONCRETE
- TS TOP OF SIDEWALK
- TP TOP OF PAVEMENT
- TC TOP OF CURB
- TG TOP OF GROUND
- TV TOP OF WALL
- RCAP REINFORCED ARCH CONCRETE PIPE
- CPP CORRUGATED PLASTIC PIPE
- FL FLOW LINE
- C.D.T.G. CLEAN OUT TO GRADE
- EX EXISTING
- PR PROPOSED
- NIC NOT IN CONTRACT

ALL WATER AND SEWER INFRASTRUCTURE SHALL BE IN ACCORDANCE WITH BRYANT WATER AND SEWER STANDARD SPECIFICATIONS FOR DESIGN AND CONSTRUCTION OF WATER LINES AND SEWER LINES.

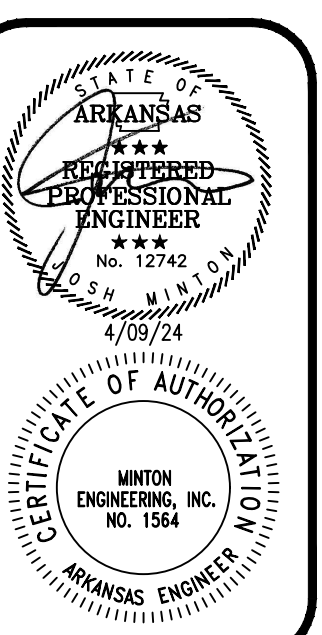


**1 SITE UTILITY PLAN**  
SCALE: 1" = 30'  
0 30 60

- GENERAL UTILITY NOTES:**
- ALL BIDDERS SHALL FIELD VERIFY EXIST SITE CONDITIONS SO AS TO BE FAMILIAR WITH PROJECT PRIOR TO BIDDING WORK INCLUDED IN THIS CONTRACT. ANY DISCREPANCIES SHALL BE ADDRESSED PRIOR TO BIDDING.
  - CONTRACTOR TO VERIFY AND MARK ALL EXISTING UTILITIES PRIOR BEFORE ANY DEMOLITION OR NEW CONSTRUCTION WORK COMMENCES.
  - ALL WORK SHALL CONFORM TO LOCAL & STATE CODES; ELECTRICAL & PLUMBING LINES SHALL BE INSTALLED BY PROFESSIONALS LICENSED BY THE STATE OF ARKANSAS.
  - ALL WORK SHALL CONFORM TO THE SPECIFICATIONS SET FORTH BY THE ARKANSAS DEPARTMENT OF HEALTH AND BRYANT WATER DEPARTMENT. THE CONTRACTOR WILL BE RESPONSIBLE FOR ANY CONNECTION FEES AND AS-BUILTS REQUIRED.
  - CONTRACTOR TO VERIFY UTILITY CONNECTION LOCATIONS TO THE BUILDING WITH THE PLUMBING SHEETS.
  - SEWER MANHOLES SET IN GREEN SPACE AREAS WILL HAVE A RIM ELEVATION OF AT LEAST 3" BUT NO MORE THAN 5" ABOVE ADJACENT GRADE.

**GRADATION PLAN NOTE**

PRIOR TO INSTALLING ANY SANITARY, STORM, GAS OR WATER LINES BELOW GRADE, THE PLUMBING CONTRACTOR SHALL FURNISH TO THE ARCHITECT TWO COPIES OF A GRADATION PLAN OF THE BUILDING DRAINS AND SEWER LINES WITH PROPOSED ELEVATION GRADES SHOWN AT EACH MAJOR GROUP OF PLUMBING FIXTURES, AT EACH PIPE LINE INTERSECTION, AT EACH PIPE LINE CROSSING, AT EACH GRADE BEAM OR FOOTING PENETRATION/INTERSECTION AND AT ANY EXISTING PIPE LINE CONNECTIONS. THE PLAN SHALL ALSO INCLUDE ALL THOSE PIPE INTERSECTIONS AND/OR PIPE CROSSINGS THAT ARE EXTERIOR OF BUILDING/ADDITION INCLUDING ANY MANHOLES, CONNECTION TO EXISTING MAINS AND CLEANOUTS TO GRADE.



DATE: 04-09-24  
PROJECT NO: 23060  
DRAWN BY: JM  
REVISION:



### DESIGN DATA

**GENERAL CODES:**  
INTERNATIONAL BUILDING CODE (IBC) 2021 EDITION  
ARKANSAS FIRE PREVENTION CODE (AFPC) 2021 EDITION

**SEISMIC:**  
SEISMIC RISK CATEGORY 2021 IBC  
SEISMIC DESIGN CATEGORY SALINE COUNTY AFPC REVISIONS

**ACCESSIBILITY STANDARDS:**  
ADA STANDARDS FOR ACCESSIBLE DESIGN 2010 EDITION

**OCCUPANCY CLASSIFICATION:**  
EDUCATION IBC 305

**BUILDING CONSTRUCTION TYPE:**  
II-A-SPRINKLED IBC TABLE 601

**ALLOWABLE BUILDING HEIGHT AND AREA:**  
4 STORY / 85 FT TALL / 79,500 SQ. FT. PER FLOOR IBC 503

**OCCUPANT LOAD AND REQUIRED EGRESS:**

LEVEL	OCCUPANTS	EXITS (REQ. / ACT)	EGRESS WIDTH (REQ. / ACT)
1ST FLOOR	734	3 / 4	110' / 236'
2ND FLOOR	241	2 / 2	60' / 124'
3RD FLOOR	235	2 / 2	60' / 124'
4TH FLOOR	235	2 / 2	60' / 124'

**TOTAL BUILDING SQUARE FOOTAGE:**

1ST FLOOR	24,002 SQFT
2ND FLOOR	13,852 SQFT
3RD FLOOR	13,852 SQFT
4TH FLOOR	65,558 SQFT

**FIRE PROTECTION:**

PORTABLE FIRE EXTINGUISHERS	NFPA 10
AUTOMATIC SPRINKLER SYSTEM	IBC 903
2-HR RATED EXIT STAIR (FIRE BARRIER)	IBC 1023
2-HR RATED BUILDING SEPARATION (FIRE WALL) AT EXISTING	IBC 706
FIRE RESISTANCE RATED BUILDING ELEMENTS	IBC TABLE 601
PRIMARY STRUCTURAL FRAME	1-HR
BEARING WALLS	1-HR
FLOOR CONSTRUCTION	1-HR
ROOF CONSTRUCTION	1-HR

**STORM SHELTER:** IBC 423 / ICC 500

NET OCCUPANT LOAD REQUIRED (75% CLASSROOMS, 70% LAB SPACES) 1061 OCC  
REQUIRED AREA (OCCUPANT LOAD AT 5 SQFT/PERSON) 5305 SQFT  
PROVIDED AREA 5562 SQFT

### POR - ACADEMIC CORE SPACES

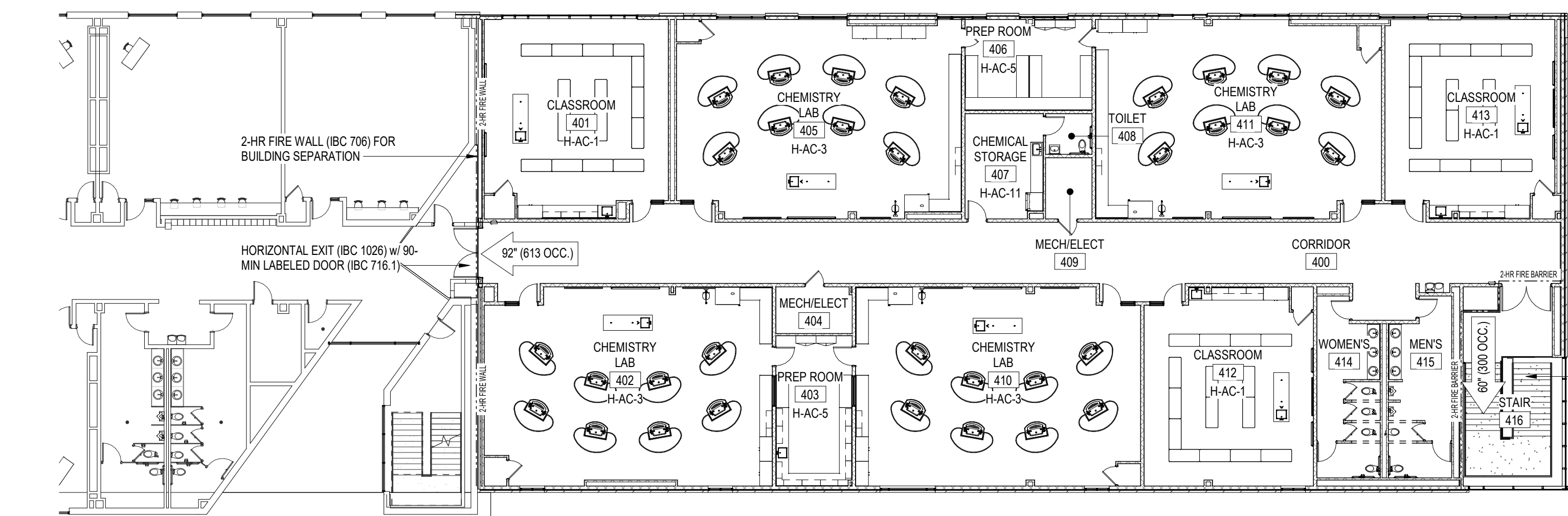
ROOM POR#	Number	ROOM NAME	PROVIDED AREA	REQUIRED AREA
CE-FCS-4	135	FAMILY AND CONSUMER SCIENCES	3410 SF	
H-AC-1	107	CLASSROOM	851 SF	850
H-AC-1	113	CLASSROOM	858 SF	850
H-AC-1	114	CLASSROOM	865 SF	850
H-AC-1	122	CLASSROOM	853 SF	850
H-AC-1	123	CLASSROOM	860 SF	850
H-AC-1	127	CLASSROOM	880 SF	850
H-AC-1	128	CLASSROOM	874 SF	850
H-AC-1	129	CLASSROOM	861 SF	850
H-AC-1	130	CLASSROOM	864 SF	850
H-AC-1	131	CLASSROOM	945 SF	850
H-AC-1	133	CLASSROOM	882 SF	850
H-AC-1	134	CLASSROOM	868 SF	850
H-AC-1	201	CLASSROOM	922 SF	850
H-AC-1	212	CLASSROOM	855 SF	850
H-AC-1	213	CLASSROOM	855 SF	850
H-AC-1	301	CLASSROOM	922 SF	850
H-AC-1	313	CLASSROOM	868 SF	850
H-AC-1	401	CLASSROOM	922 SF	850
H-AC-1	412	CLASSROOM	855 SF	850
H-AC-1	413	CLASSROOM	854 SF	850
H-AC-2	202	SCIENCE LAB	1458 SF	1440
H-AC-2	205	SCIENCE LAB	1450 SF	1440
H-AC-2	211	SCIENCE LAB	1447 SF	1440
H-AC-3	402	CHEMISTRY LAB	1455 SF	1440
H-AC-3	405	CHEMISTRY LAB	1458 SF	1440
H-AC-3	410	CHEMISTRY LAB	1463 SF	1440
H-AC-3	411	CHEMISTRY LAB	1458 SF	1440
H-AC-4	302	SCIENCE LAB	1456 SF	1440
H-AC-4	305	SCIENCE LAB	1451 SF	1440
H-AC-5	203	PREP ROOM	302 SF	300
H-AC-5	206	PREP ROOM	303 SF	300
H-AC-5	303	PREP ROOM	303 SF	300
H-AC-5	306	PREP ROOM	302 SF	300
H-AC-5	311	SCIENCE LAB	1450 SF	1440
H-AC-5	403	PREP ROOM	302 SF	300
H-AC-5	406	PREP ROOM	303 SF	300
H-AC-6	310	PROJECT LAB	1158 SF	1100
H-AC-6	312	PROJECT LAB	1158 SF	1100
H-AC-11	307	CHEMICAL STORAGE	214 SF	150
H-AC-11	407	CHEMICAL STORAGE	217 SF	150
H-AM-9	110	STORAGE	168 SF	150
H-AM-9	120	STORAGE	154 SF	150
H-AVA-1	210	ART LAB	1461 SF	1200
H-AVA-3	207	ART STORAGE	213 SF	100
TOTAL			42001 SF	41,770 SF*

\* TOTAL FUNDED/REQUIRED ACADEMIC CORE SPACE PER PROJECT AGREEMENT

### POR - SPECIAL EDUCATION SPACES

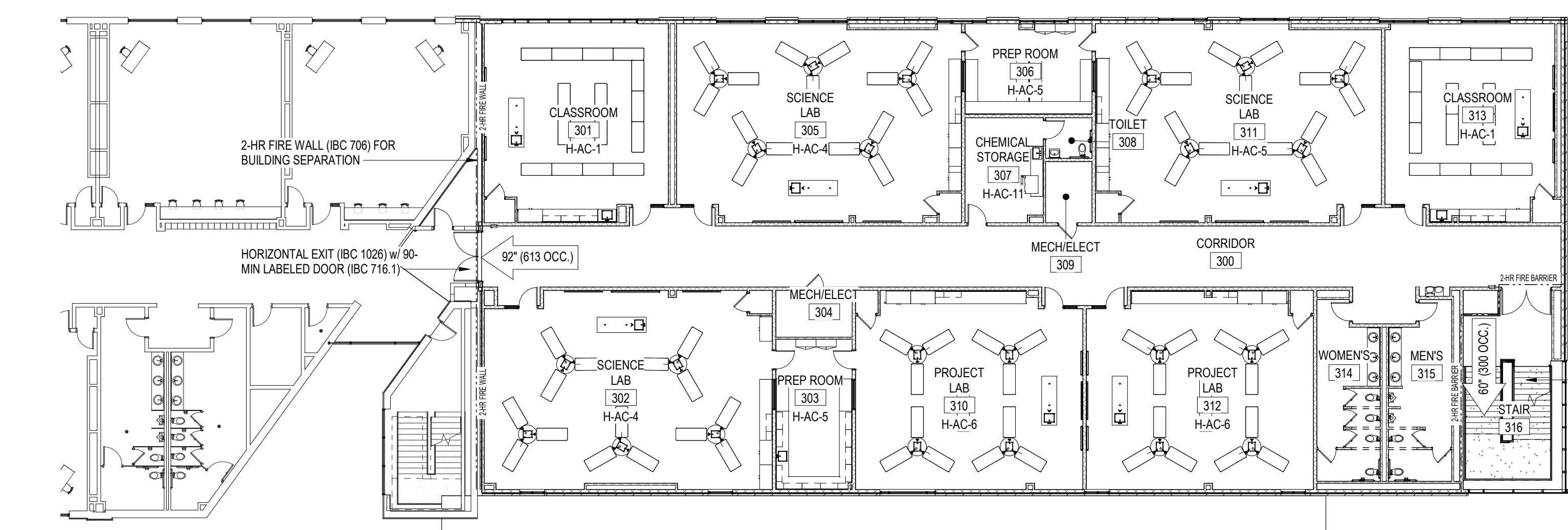
ROOM POR#	Number	ROOM NAME	PROVIDED AREA	REQUIRED AREA
H-SE-2	105	CONFERENCE/WORKROOM	195 SF	150
H-SE-2	214	WORKROOM/CONFERENCE	544 SF	150
H-SE-3	111	TOILET / SHOWER	148 SF	100
H-SE-3	118	TOILET / SHOWER	147 SF	100
H-SE-4	115	RESOURCE	482 SF	450
H-SE-4	121	RESOURCE	455 SF	450
H-SE-5	101	SPEECH	488 SF	475
H-SE-5	103	SPEECH	497 SF	475
H-SE-7	108	OT/PT	381 SF	350
H-SE-7	116	OT/PT	380 SF	350
TOTAL			3687 SF	3,600 SF*

\* TOTAL FUNDED/REQUIRED SPECIAL EDUCATION SPACE PER PROJECT AGREEMENT



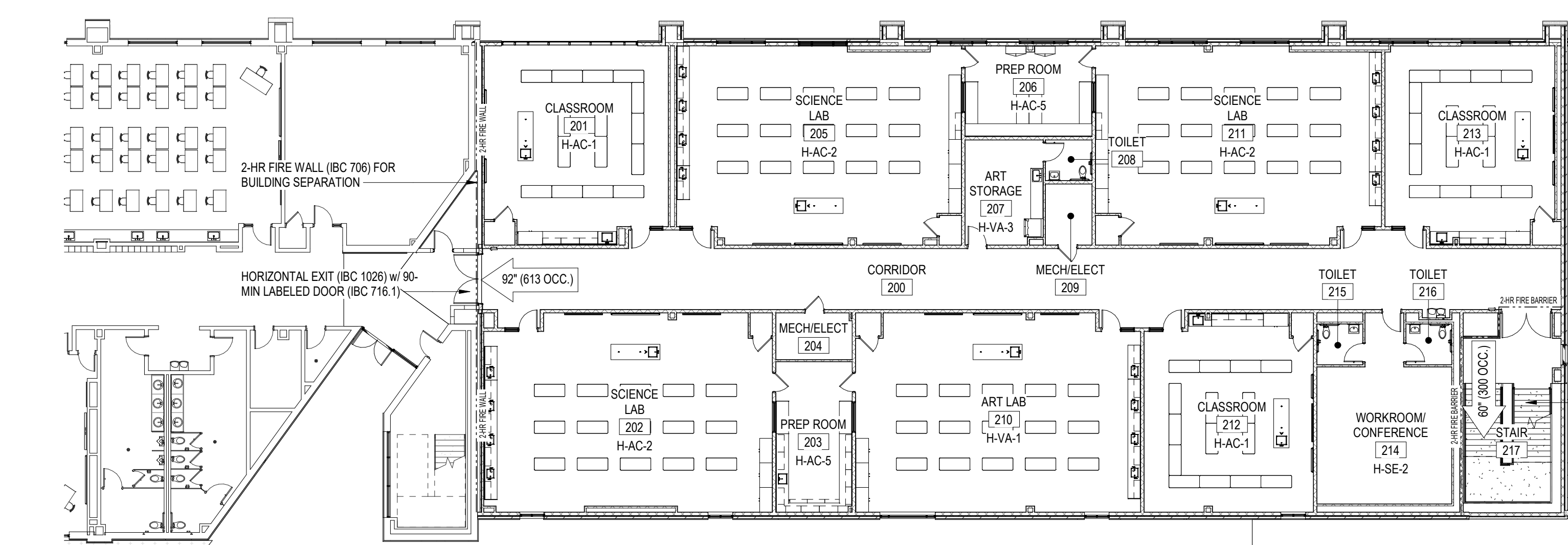
4 LIFE SAFETY / POR - FOURTH FLOOR PLAN  
A1.1 1/16" = 1'-0"

INTERIOR EXIT STAIRWAY (IBC 1023) CONNECTING 4 STORES, 2-HR RATED FIRE BARRIER (1023.2) w/ 90-MIN OPENING PROTECTION RATING (IBC 716.1)



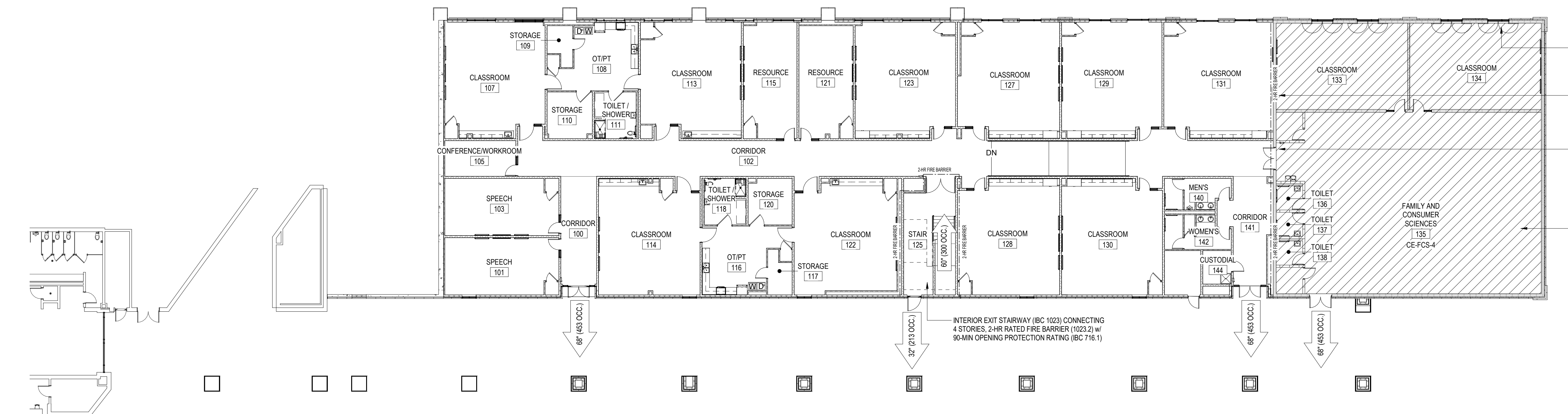
3 LIFE SAFETY / POR - THIRD FLOOR PLAN  
A1.1 1/16" = 1'-0"

INTERIOR EXIT STAIRWAY (IBC 1023) CONNECTING 4 STORES, 2-HR RATED FIRE BARRIER (1023.2) w/ 90-MIN OPENING PROTECTION RATING (IBC 716.1)



2 LIFE SAFETY / POR - SECOND FLOOR PLAN  
A1.1 1/16" = 1'-0"

INTERIOR EXIT STAIRWAY (IBC 1023) CONNECTING 4 STORES, 2-HR RATED FIRE BARRIER (1023.2) w/ 90-MIN OPENING PROTECTION RATING (IBC 716.1)

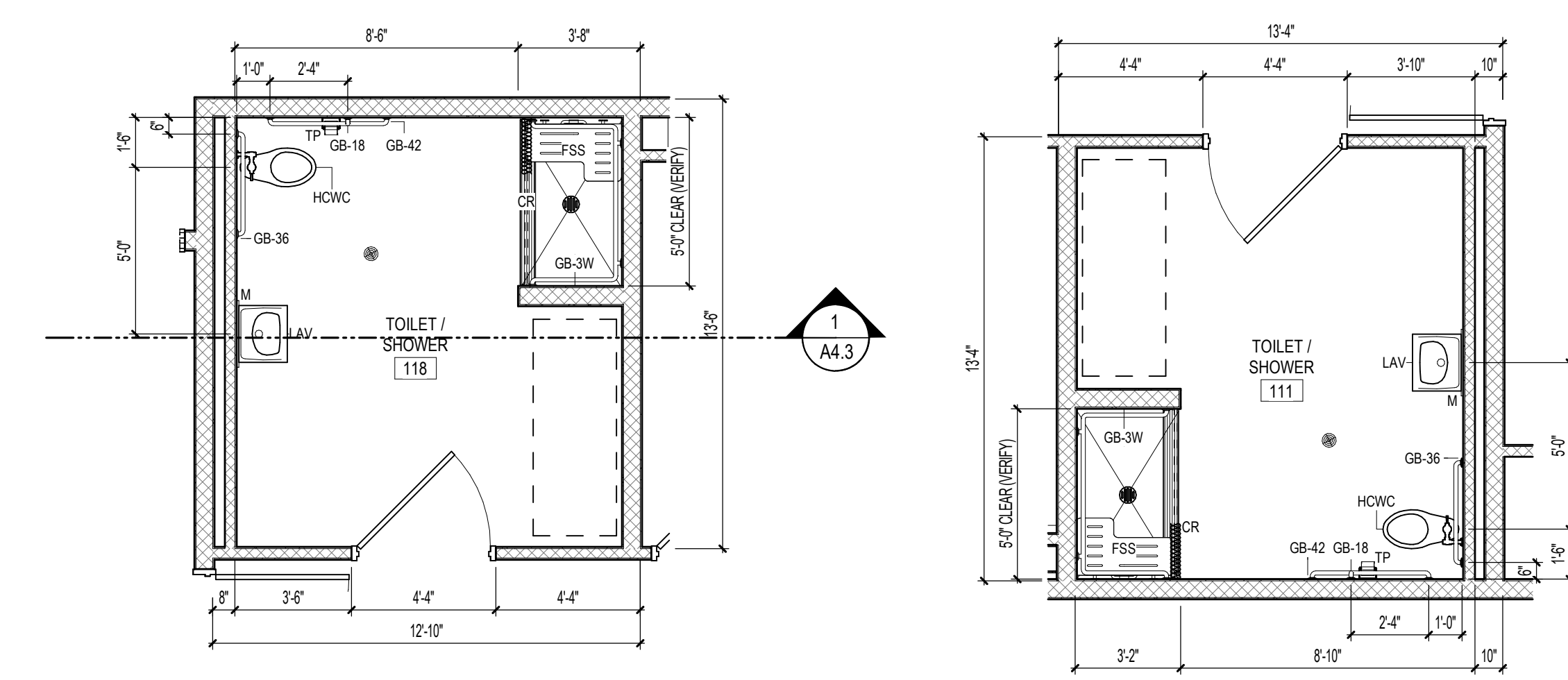
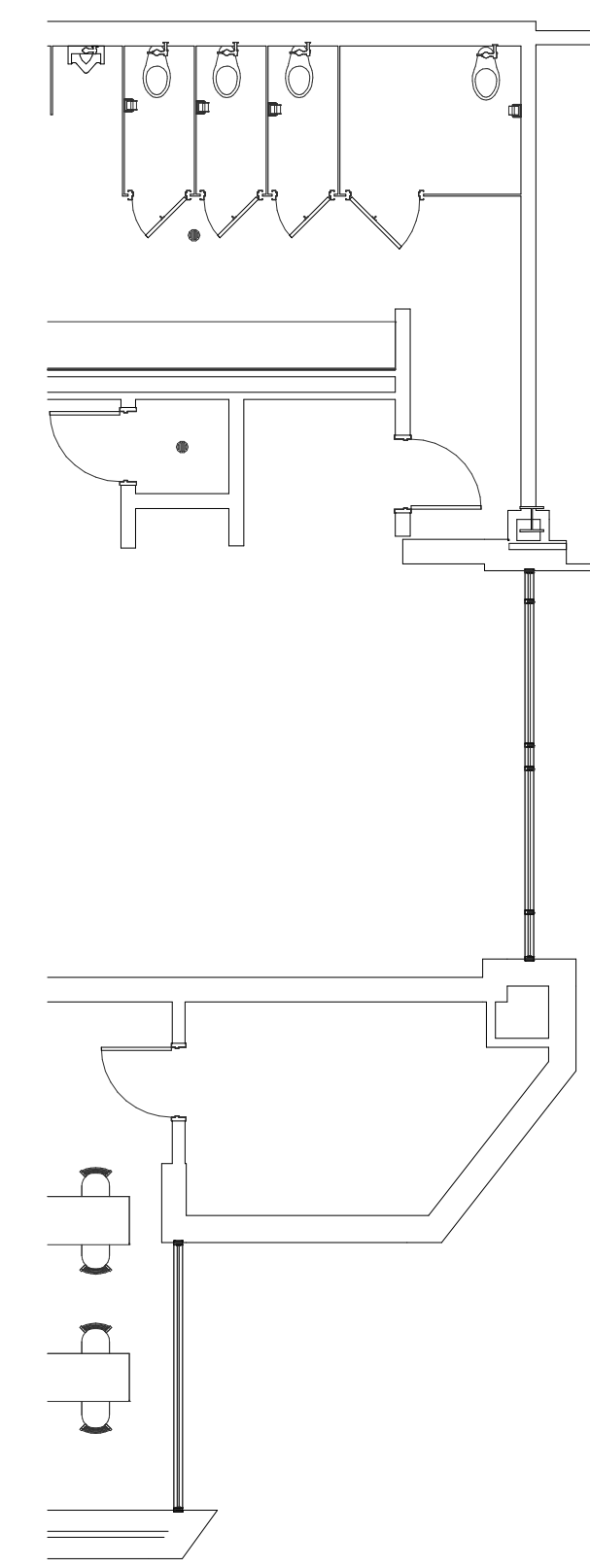


1 LIFE SAFETY / POR - FIRST FLOOR PLAN  
A1.1 1/16" = 1'-0"

ICC 500 RATED HEAVY DUTY MANUAL STEEL SHUTTERS AT WINDOWS  
2-HR FIRE BARRIER BETWEEN SHELTER AND OTHER AREAS (ICC 500, 603.1)  
ICC 500 RATED STEEL DOORS/FRAMES AND HARDWARE  
TORNADO SAFE ROOM (IBC 423) 5,562 SQFT PROTECTED AREA

INTERIOR EXIT STAIRWAY (IBC 1023) CONNECTING 4 STORES, 2-HR RATED FIRE BARRIER (1023.2) w/ 90-MIN OPENING PROTECTION RATING (IBC 716.1)



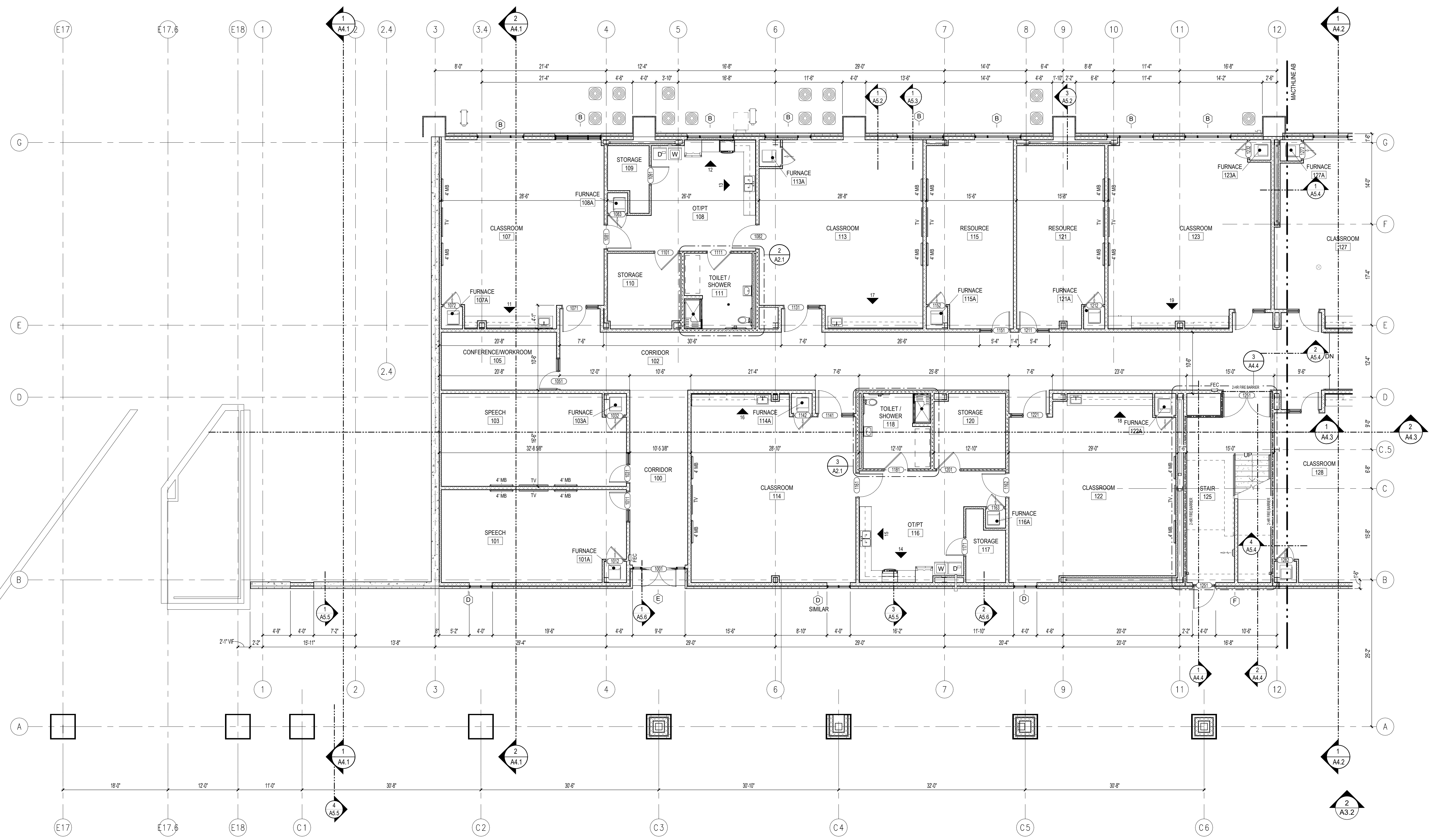


3 ENLARGED PLAN - TOILET/SHOWER 118  
 1/4" = 1'-0"  
 2 ENLARGED PLAN - TOILET/SHOWER 111  
 1/4" = 1'-0"

TOILET ACCESSORY SCHEDULE		
MARK	DESCRIPTION	MOUNTING HEIGHT
GB-36	GRAB BAR - 36"	34" A.F.F. to CENTERLINE
GB-42	GRAB BAR - 42"	34" A.F.F. to CENTERLINE
GB-18	VERTICAL GRAB BAR - 18"	40" A.F.F. to BASE
GB-2W	GRAB BAR - 2 WALL	34" A.F.F. to CENTERLINE
GB-3W	GRAB BAR - 3 WALL	34" A.F.F. to CENTERLINE
LAV	LAVATORY - WALL MOUNTED	34" A.F.F. to RIM
S	SINK - COUNTER MOUNTED	
CH	COAT HOOK	54" A.F.F.
M	MIRROR	24"X36" - 40" A.F.F. to BOTTOM OF REFLECTIVE SURFACE
HD	HAND DRYER	44" A.F.F. to BOTTOM
CT	CHANGING TABLE	31" A.F.F. to BOTTOM
HCWC	H.C. WATER CLOSET	17" A.F.F. to SEAT
WC	WATER CLOSET	15" A.F.F. to SEAT
U	URNAL	24" A.F.F. to RIM
HEWC	HANDICAP WATER COOLER	36" to SPOUT
FSS	FOLDING SHOWER SEAT	17" A.F.F. to SEAT
EWC	ELECT. WATER COOLER w/ BOTTLE FILLER	42" to SPOUT / 36" to SPOUT @ ADA
CR	SHOWER CURTAIN & ROD	7'-0" A.F.F.

NOTES:  
 1. TOILET PAPER AND SOAP DISPENSERS ARE TO BE PROVIDED BY THE OWNER. TOILET PAPER DISPENSER ARE TO BE INSTALLED NO LOWER THAN 18" AFF. THE OPERATION AND SPOUT PORTION OF SOAP DISPENSERS SHALL BE INSTALLED AT 44" AFF. CONTRACTOR TO COORDINATE AND VERIFY

- GENERAL NOTES**
- SEE OVERALL PLAN SHEET A1.1 FOR CODE DATA AND FIRE PROTECTION REQUIREMENTS AND METHODS
  - CONTRACTOR TO VISIT SITE TO BECOME FAMILIAR WITH EXISTING CONDITIONS PRIOR TO BIDDING PROJECT. BRING ANY DISCREPANCIES TO THE ATTENTION OF THE ARCHITECT PRIOR TO BID.
  - INTERIOR LIGHT GAUGE METAL STUD WALLS
    - WALLS SHALL BE FRAMED WITH 3 5/8" OR 6" (SEE PLAN) MEMBERS AT 16" O.C. w/ CONTINUOUS TRACK TOP AND BOTTOM, UNLESS NOTED OTHERWISE.
    - EXTEND ALL WALLS 8" MIN. ABOVE CEILING.
    - WALLS WITHOUT AN ADJACENT FINISHED CEILING SHALL EXTEND TO DECK ABOVE LIGHT GAUGE FRAMING NOT SUFFICIENTLY BRACED BY INTERSECTING FRAMING OR REQUIRED BY HEIGHT OF FRAMING SHALL BE BRACED TO STRUCTURE WITH METAL STUD KICKERS (APPROXIMATELY 45 DEGREES) AT 48" ON CENTER MAXIMUM.
  - PRIVACY WALLS (BLOCK OR STUD) SHALL EXTEND TO FLOOR DECK OR 5'-0" ABOVE HIGHEST ADJACENT CEILING WITH L.G. METAL FRAMING AND 5/8" GYPSUM BOARD ON AT LEAST ONE SIDE.
  - INTERIOR DOORS NOT DIMENSIONS SHALL BE LOCATED AS FOLLOWS:
    - HINGE SIDE ADJACENT TO INTERSECTING WALL (CMU)
    - HINGE SIDE 4" OFF INTERSECTING WALL (STUD)
    - LATCH SIDE 1'-4" OFF INTERSECTING WALL (STUD/CMU)
    - CENTERED BETWEEN INTERSECTING WALLS (STUD/CMU)
  - PROVIDE HOUSEKEEPING PADS FOR ELECTRICAL AND MECHANICAL EQUIPMENT. VERIFY SIZE AND LOCATION WITH ELECTRICAL, PLUMBING, AND HVAC INSTALLERS AND MANUFACTURERS.
  - FOR SOUND TRANSFER CONTROL, FILL STUD WALLS WITH SOUND ATTENUATION BLANKET INSULATION. INSTALL BATT INSULATION ON ALL CEILING AROUND PERIMETER OF ROOMS EXTENDING 2'-0" FROM ALL INTERIOR WALLS UNLESS NOTED OTHERWISE IN REFLECTED CEILING PLAN NOTES.
  - GYPSUM BOARD EXPANSION JOINTS SHALL BE LOCATED 30" OF O.C. MAXIMUM. VERIFY LOCATIONS WITH ARCHITECT. LOCATE ABOVE DOOR HEADS WHERE POSSIBLE.
  - FIELD VERIFY ALL DIMENSIONS FOR HANDRAILS, EQUIPMENT, ETC. PRIOR TO FABRICATION AND INSTALLATION.
  - PROVIDE WOOD FOR BLOCKING WHERE BLOCKING IS REQUIRED. WHERE BLOCKING CONTACTS METAL FRAME, STUDS, ETC. SEPARATE WITH BUILDING FELT TO AVOID REACTIONS BETWEEN WOOD AND METALS.
  - ALL FIRE WALLS AND BARRIERS SHALL BE MARKED WITH SIGNAGE READING, "FIRE AND/OR SMOKE BARRIER. PROTECT ALL OPENINGS" ACCORDING TO 2021 ARKANSAS FIRE PREVENTION CODE SECTION 103.1. ALL PENETRATIONS SHALL BE PROTECTED BY AN APPROVED THROUGH-PENETRATION FIRESTOP SYSTEM IN ACCORDANCE WITH UL 1479



NORTH  
 1 FIRST FLOOR PLAN - AREA A  
 1/8" = 1'-0"

ELLIOTT • MCMORAN • VADEN  
 RAGSDALE • WOODWARD • INCORPORATED  
 501 223 9302 • WWW.LEMVRW.COM

LEWIS ARCHITECTS ENGINEERS

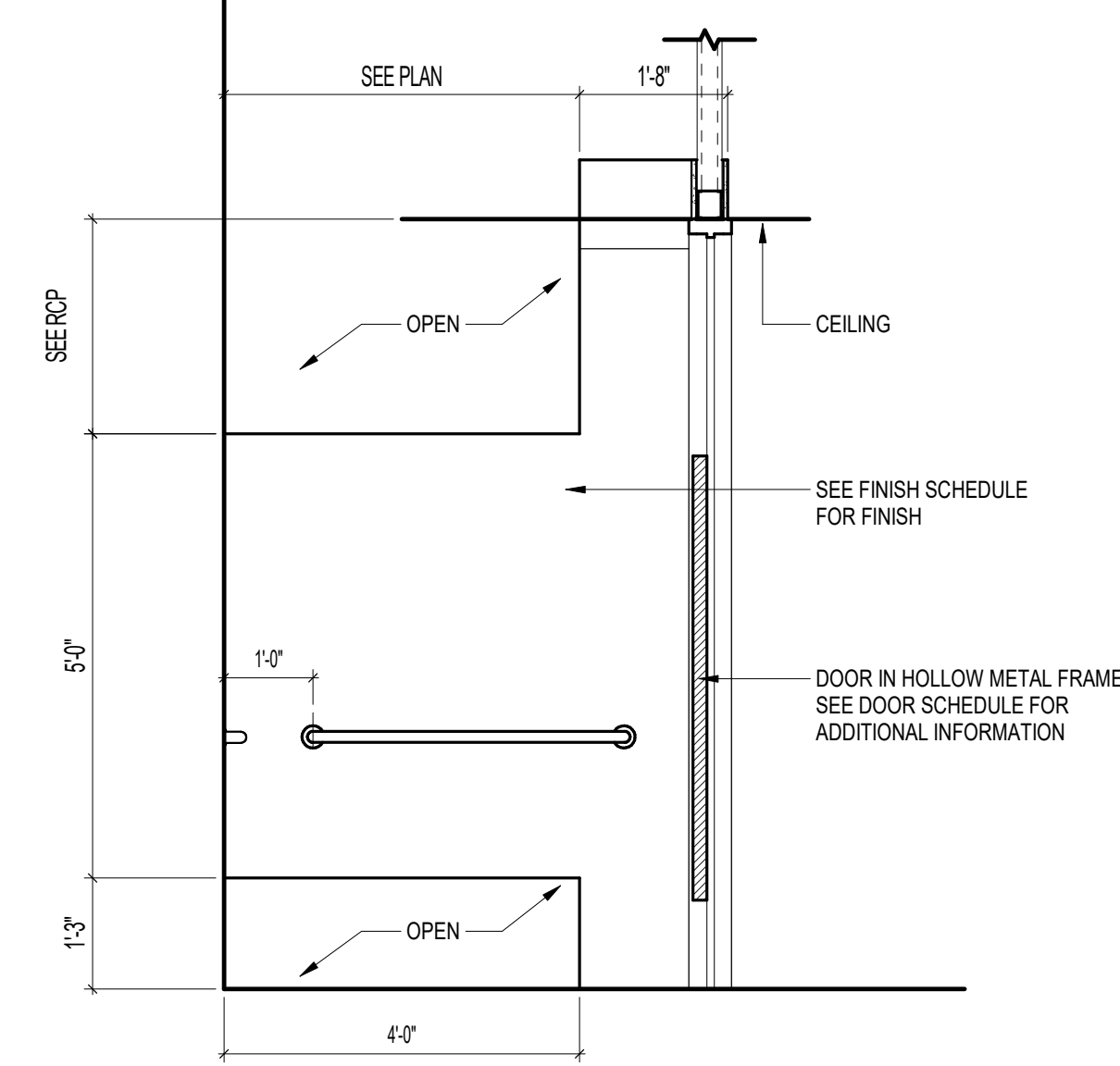
HIGH SCHOOL ADDITION  
 BRYANT SCHOOL DISTRICT  
 BRYANT, AR



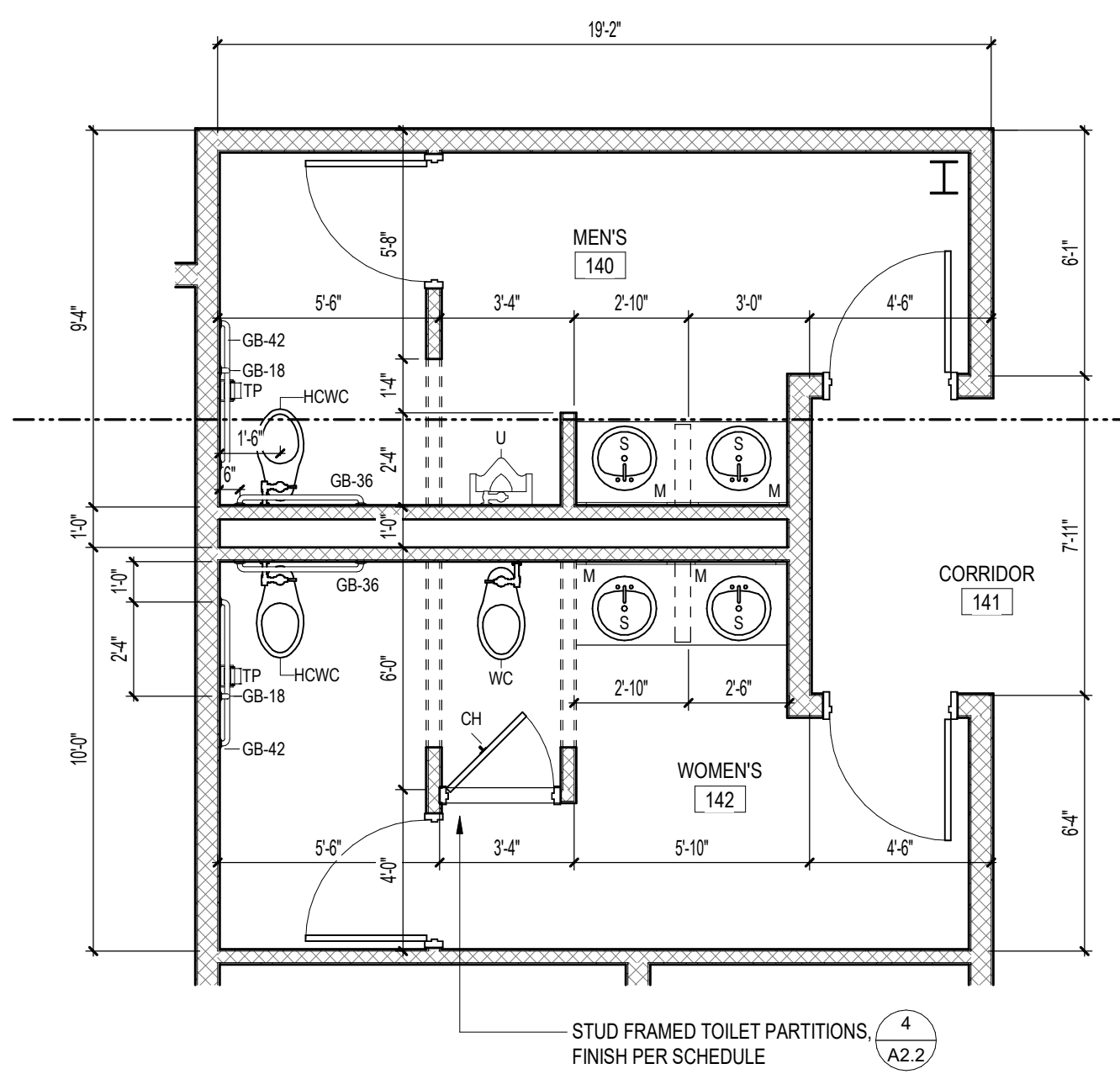
DATE: 09 APRIL 2024  
 PROJECT NO.: 23060  
 DRAWN BY: NRW  
 REVISION:

A2.1

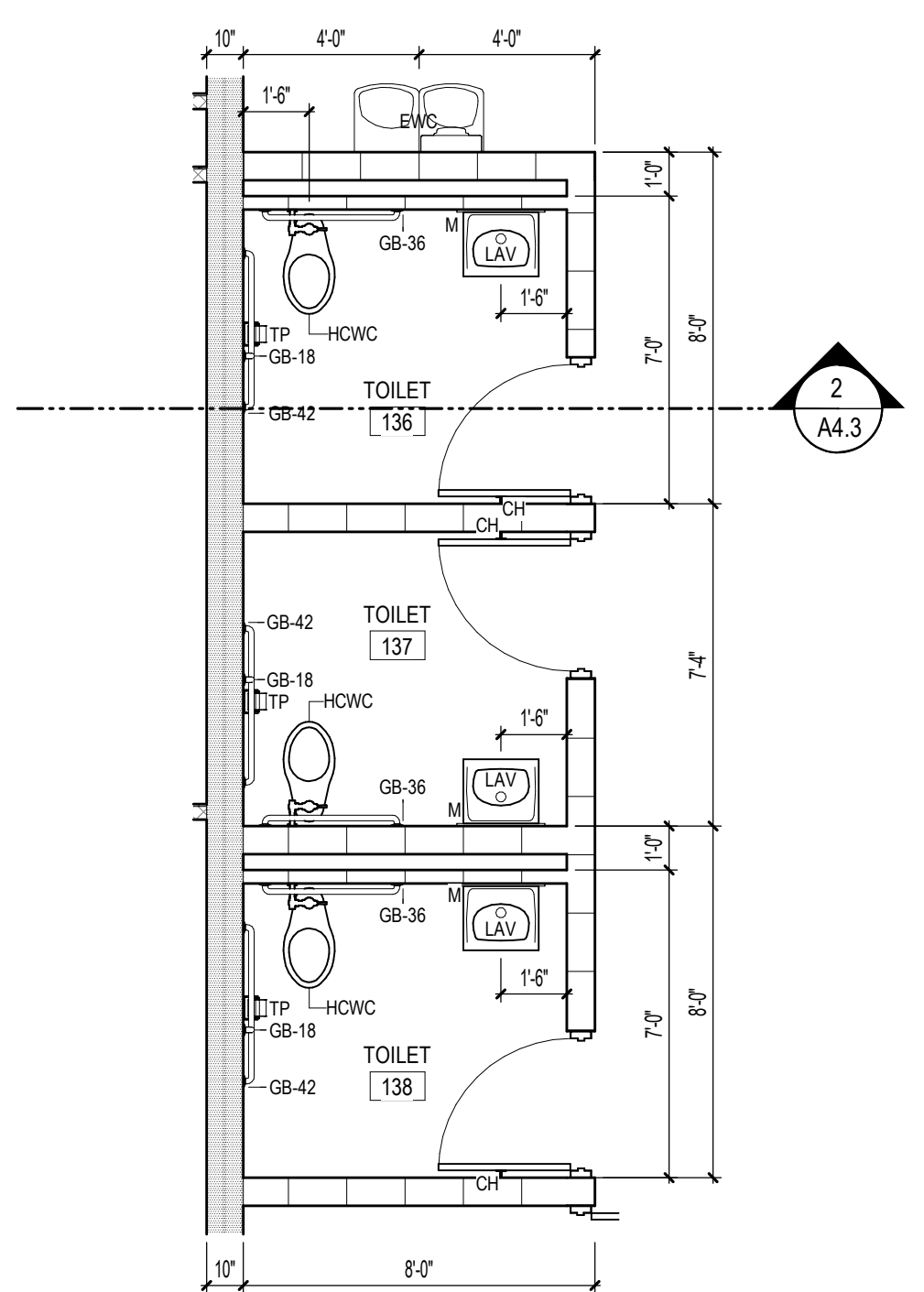




4 TYPICAL TOILET PARTITION  
1/2" = 1'-0"



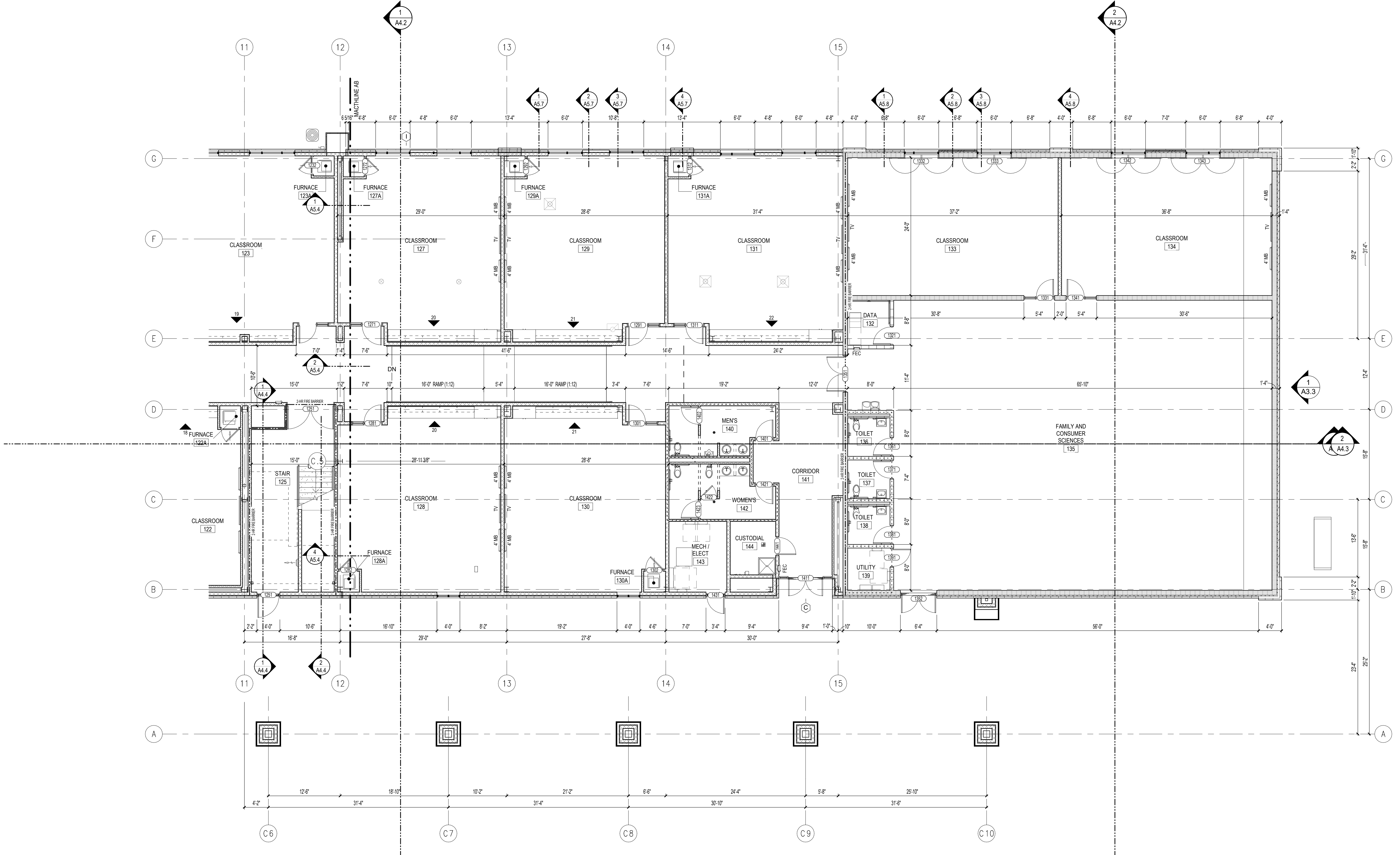
2 ENLARGED PLAN - TOILETS 140 & 142  
1/4" = 1'-0"



3 ENLARGED PLAN - TOILETS 137, 138, & 139  
1/4" = 1'-0"

TOILET ACCESSORY SCHEDULE		
MARK	DESCRIPTION	MOUNTING HEIGHT
GB-36	GRAB BAR - 36"	34" A.F.F. to CENTERLINE
GB-42	GRAB BAR - 42"	34" A.F.F. to CENTERLINE
GB-18	VERTICAL GRAB BAR - 18"	40" A.F.F. to BASE
GB-2W	GRAB BAR - 2 WALL	34" A.F.F. to CENTERLINE
GB-3W	GRAB BAR - 3 WALL	34" A.F.F. to CENTERLINE
LAV	LAVATORY - WALL MOUNTED	34" A.F.F. to RIM
S	SINK - COUNTER MOUNTED	
CH	COAT HOOK	54" A.F.F.
M	MIRROR	24"X36" 40" A.F.F. to BOTTOM OF REFLECTIVE SURFACE
HD	HAND DRYER	44" A.F.F. to BOTTOM
CT	CHANGING TABLE	31" A.F.F. to BOTTOM
HCWC	H.C. WATER CLOSET	17" A.F.F. to SEAT
WC	WATER CLOSET	15" A.F.F. to SEAT
U	URNAL	24" A.F.F. to RIM
HCWC	HANDICAP WATER COOLER	36" to SPOUT
FSS	FOLDING SHOWER SEAT	17" A.F.F. to SEAT
EWC	ELECT. WATER COOLER w/ BOTTLE FILLER	42" to SPOUT / 36" to SPOUT @ ADA
CR	SHOWER CURTAIN & ROD	7'-0" A.F.F.

- GENERAL NOTES**
- SEE OVERALL PLAN SHEET A1.1 FOR CODE DATA AND FIRE PROTECTION REQUIREMENTS AND METHODS.
  - CONTRACTOR TO VISIT SITE TO BECOME FAMILIAR WITH EXISTING CONDITIONS PRIOR TO BIDDING PROJECT. BRING ANY DISCREPANCIES TO THE ATTENTION OF THE ARCHITECT PRIOR TO BID.
  - INTERIOR LIGHT GAUGE METAL STUD WALLS
    - WALLS SHALL BE FRAMED WITH 3 5/8" OR 6" (SEE PLAN) MEMBERS AT 16" O.C. w/ CONTINUOUS TRACK TOP AND BOTTOM, UNLESS NOTED OTHERWISE.
    - EXTEND ALL WALLS 8" MIN. ABOVE CEILING.
    - WALLS WITHOUT AN ADJACENT FINISHED CEILING SHALL EXTEND TO DECK ABOVE LIGHT GAUGE FRAMING NOT SUFFICIENTLY BRACED BY INTERSECTING FRAMING OR REQUIRED BY HEIGHT OF FRAMING SHALL BE BRACED TO STRUCTURE WITH METAL STUD KICKERS (APPROXIMATELY 45 DEGREES) AT 48" ON CENTER MAXIMUM.
  - PRIVACY WALLS (BLOCK OR STUD) SHALL EXTEND TO FLOOR DECK OR 5'-0" ABOVE HIGHEST ADJACENT CEILING WITH L.G. METAL FRAMING AND 5/8" GYPSUM BOARD ON AT LEAST ONE SIDE.
  - INTERIOR DOORS NOT DIMENSIONS SHALL BE LOCATED AS FOLLOWS:
    - HINGE SIDE ADJACENT TO INTERSECTING WALL (CMU)
    - HINGE SIDE 4" OFF INTERSECTING WALL (STUD)
    - LATCH SIDE 1'-0" OFF INTERSECTING WALL (STUD/CMU)
    - CENTERED BETWEEN INTERSECTING WALLS (STUD/CMU)
  - PROVIDE HOUSEKEEPING PADS FOR ELECTRICAL AND MECHANICAL EQUIPMENT. VERIFY SIZE AND LOCATION WITH ELECTRICAL, PLUMBING, AND HVAC INSTALLERS AND MANUFACTURERS.
  - FOR SOUND TRANSFER CONTROL, FILL STUD WALLS WITH SOUND ATTENUATION BLANKET INSULATION. INSTALL BATT INSULATION ON ALL CEILING AROUND PERIMETER OF ROOMS EXTENDING 2'-0" FROM ALL INTERIOR WALLS UNLESS NOTED OTHERWISE IN REFLECTED CEILING PLAN NOTES.
  - GYPSUM BOARD EXPANSION JOINTS SHALL BE LOCATED 30" O.C. MAXIMUM. VERIFY LOCATIONS WITH ARCHITECT. LOCATE ABOVE DOOR HEADS WHERE POSSIBLE.
  - FIELD VERIFY ALL DIMENSIONS FOR HANDRAILS, EQUIPMENT, ETC. PRIOR TO FABRICATION AND INSTALLATION.
  - PROVIDE WOOD FOR BLOCKING WHERE BLOCKING IS REQUIRED. WHERE BLOCKING CONTACTS METAL FRAME, STUDS, ETC. SEPARATE WITH BUILDING FELT TO AVOID REACTIONS BETWEEN WOOD AND METALS.
  - ALL FIRE WALLS AND BARRIERS SHALL BE MARKED WITH SIGNAGE READING "FIRE AND/OR SMOKE BARRIER. PROTECT ALL OPENINGS" ACCORDING TO 2021 ARKANSAS FIRE PREVENTION CODE SECTION 103.7. ALL PENETRATIONS SHALL BE PROTECTED BY AN APPROVED THROUGH-PENETRATION FIRESTOP SYSTEM IN ACCORDANCE WITH UL 1479.



1 FIRST FLOOR PLAN - AREA B  
1/8" = 1'-0"

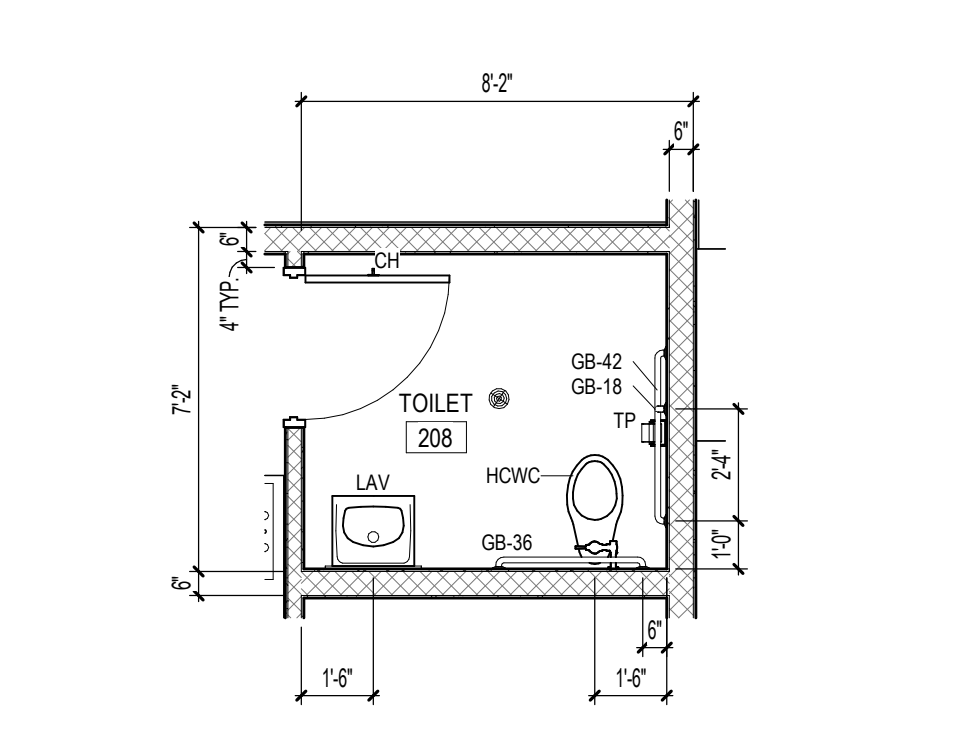




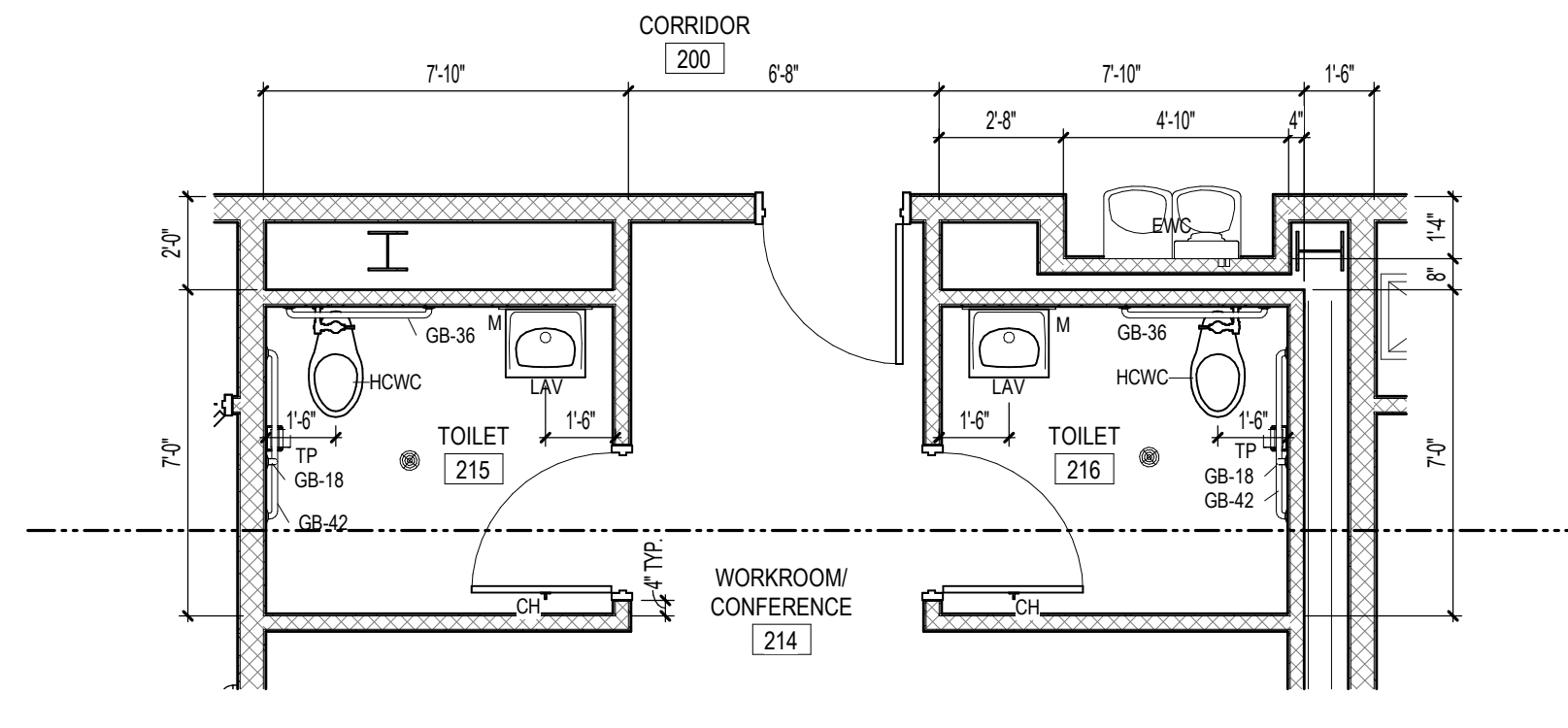
TOILET ACCESSORY SCHEDULE		
MARK	DESCRIPTION	MOUNTING HEIGHT
GB-36	GRAB BAR - 36"	34" A.F.F. to CENTERLINE
GB-42	GRAB BAR - 42"	34" A.F.F. to CENTERLINE
GB-18	VERTICAL GRAB BAR - 18"	40" A.F.F. to BASE
GB-2W	GRAB BAR - 2 WALL	34" A.F.F. to CENTERLINE
GB-3W	GRAB BAR - 3 WALL	34" A.F.F. to CENTERLINE
LAV	LAVATORY - WALL MOUNTED	34" A.F.F. to RIM
S	SINK - COUNTER MOUNTED	
CH	COAT HOOK	54" A.F.F.
M	MIRROR	24"X36" - 40" A.F.F. to BOTTOM OF REFLECTIVE SURFACE
HD	HAND DRYER	44" A.F.F. to BOTTOM
CT	CHANGING TABLE	31" A.F.F. to BOTTOM
HCWC	H.C. WATER CLOSET	17" A.F.F. to SEAT
WC	WATER CLOSET	15" A.F.F. to SEAT
U	URNAL	24" A.F.F. to RIM
HEWC	HANDICAP WATER COOLER	36" to SPOUT
FSS	FOLDING SHOWER SEAT	17" A.F.F. to SEAT
EWC	ELECT. WATER COOLER w/ BOTTLE FILLER	42" to SPOUT / 36" to SPOUT @ ADA
CR	SHOWER CURTAIN & ROD	7'-0" A.F.F.

NOTES:  
TOILET PAPER AND SOAP DISPENSERS ARE TO BE PROVIDED BY THE OWNER. TOILET PAPER DISPENSER ARE TO BE INSTALLED NO LOWER THAN 18" AFF. THE OPERATION AND SPOUT PORTION OF SOAP DISPENSERS SHALL BE INSTALLED AT 44" AFF. CONTRACTOR TO COORDINATE AND VERIFY

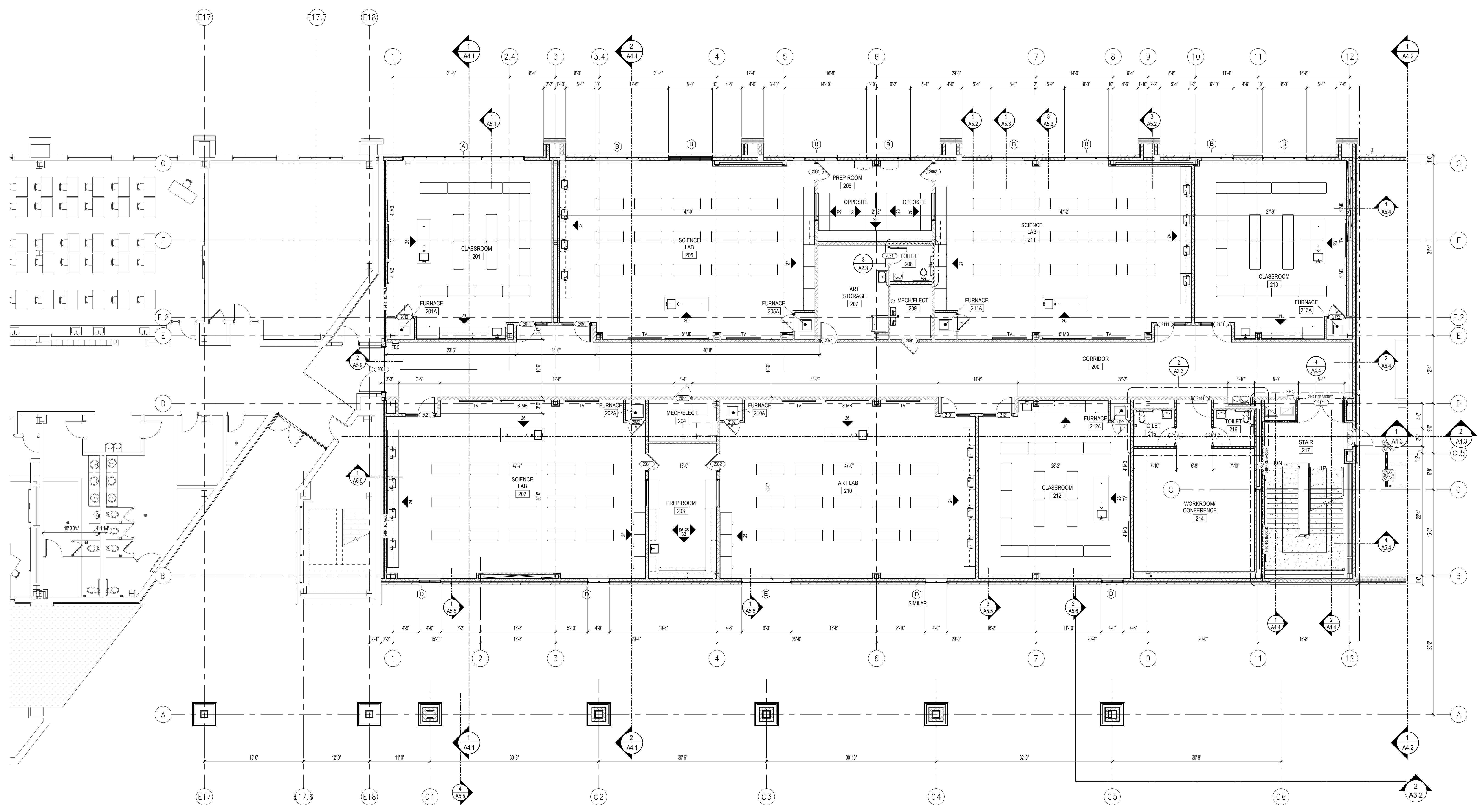
- GENERAL NOTES**
- SEE OVERALL PLAN SHEET A1.1 FOR CODE DATA AND FIRE PROTECTION REQUIRMENTS AND METHODS
  - CONTRACTOR TO VISIT SITE TO BECOME FAMILIAR WITH EXISTING CONDITIONS PRIOR TO BIDDING PROJECT. BRING ANY DISCREPANCIES TO THE ATTENTION OF THE ARCHITECT PRIOR TO BID.
  - INTERIOR LIGHT GAUGE METAL STUD WALLS
    - WALLS SHALL BE FRAMED WITH 3 5/8" OR 6" (SEE PLAN) MEMBERS AT 16" O.C. w/ CONTINUOUS TRACK TOP AND BOTTOM, UNLESS NOTED OTHERWISE.
    - EXTEND ALL WALLS 8" MIN. ABOVE CEILING
    - WALLS WITHOUT AN ADJACENT FINISHED CEILING SHALL EXTEND TO DECK ABOVE
    - LIGHT GAUGE FRAMING NOT SUFFICIENTLY BRACED BY INTERSECTING FRAMING OR REQUIRED BY HEIGHT OF FRAMING SHALL BE BRACED TO STRUCTURE WITH METAL STUD KICKERS (APPROXIMATELY 45 DEGREES) AT 48" ON CENTER MAXIMUM.
  - PRIVACY WALLS (BLOCK OR STUD) SHALL EXTEND TO FLOOR DECK OR 5'-0" ABOVE HIGHEST ADJACENT CEILING WITH L.G. METAL FRAMING AND 5/8" GYPSUM BOARD ON AT LEAST ONE SIDE.
  - INTERIOR DOORS NOT DIMENSIONS SHALL BE LOCATED AS FOLLOWS:
    - HINGE SIDE ADJACENT TO INTERSECTING WALL (CMU)
    - HINGE SIDE 4" OFF INTERSECTING WALL (STUD)
    - LATCH SIDE 1'-4" OFF INTERSECTING WALL (STUD/CMU)
    - CENTERED BETWEEN INTERSECTING WALLS (STUD/CMU)
  - PROVIDE HOUSEKEEPING PADS FOR ELECTRICAL AND MECHANICAL EQUIPMENT. VERIFY SIZE AND LOCATION WITH ELECTRICAL, PLUMBING, AND HVAC INSTALLERS AND MANUFACTURERS.
  - FOR SOUND TRANSFER CONTROL, FILL STUD WALLS WITH SOUND ATTENUATION BLANKET INSULATION. INSTALL BATT INSULATION ON ALL CEILING AROUND PERIMETER OF ROOMS EXTENDING 2'-0" FROM ALL INTERIOR WALLS UNLESS NOTED OTHERWISE IN REFLECTED CEILING PLAN NOTES.
  - GYPSUM BOARD EXPANSION JOINTS SHALL BE LOCATED 30" O.C. MAXIMUM. VERIFY LOCATIONS WITH ARCHITECT. LOCATE ABOVE DOOR HEADS WHERE POSSIBLE.
  - FIELD VERIFY ALL DIMENSIONS FOR HANDRAILS, EQUIPMENT, ETC. PRIOR TO FABRICATION AND INSTALLATION.
  - PROVIDE WOOD FOR BLOCKING WHERE BLOCKING IS REQUIRED. WHERE BLOCKING CONTACTS METAL FRAME, STUDS, ETC. SEPARATE WITH BUILDING FELT TO AVOID REACTIONS BETWEEN WOOD AND METALS.
  - ALL FIRE WALLS AND BARRIERS SHALL BE MARKED WITH SIGNAGE READING, "FIRE AND/OR SMOKE BARRIER. PROTECT ALL OPENINGS" ACCORDING TO 2021 ARKANSAS FIRE PREVENTION CODE SECTION 703.1. ALL PENETRATIONS SHALL BE PROTECTED BY AN APPROVED THROUGH-PENETRATION FIRESTOP SYSTEM IN ACCORDANCE WITH UL 1479



3 ENLARGED PLAN - TOILET 208  
A2.3 1/4" = 1'-0"

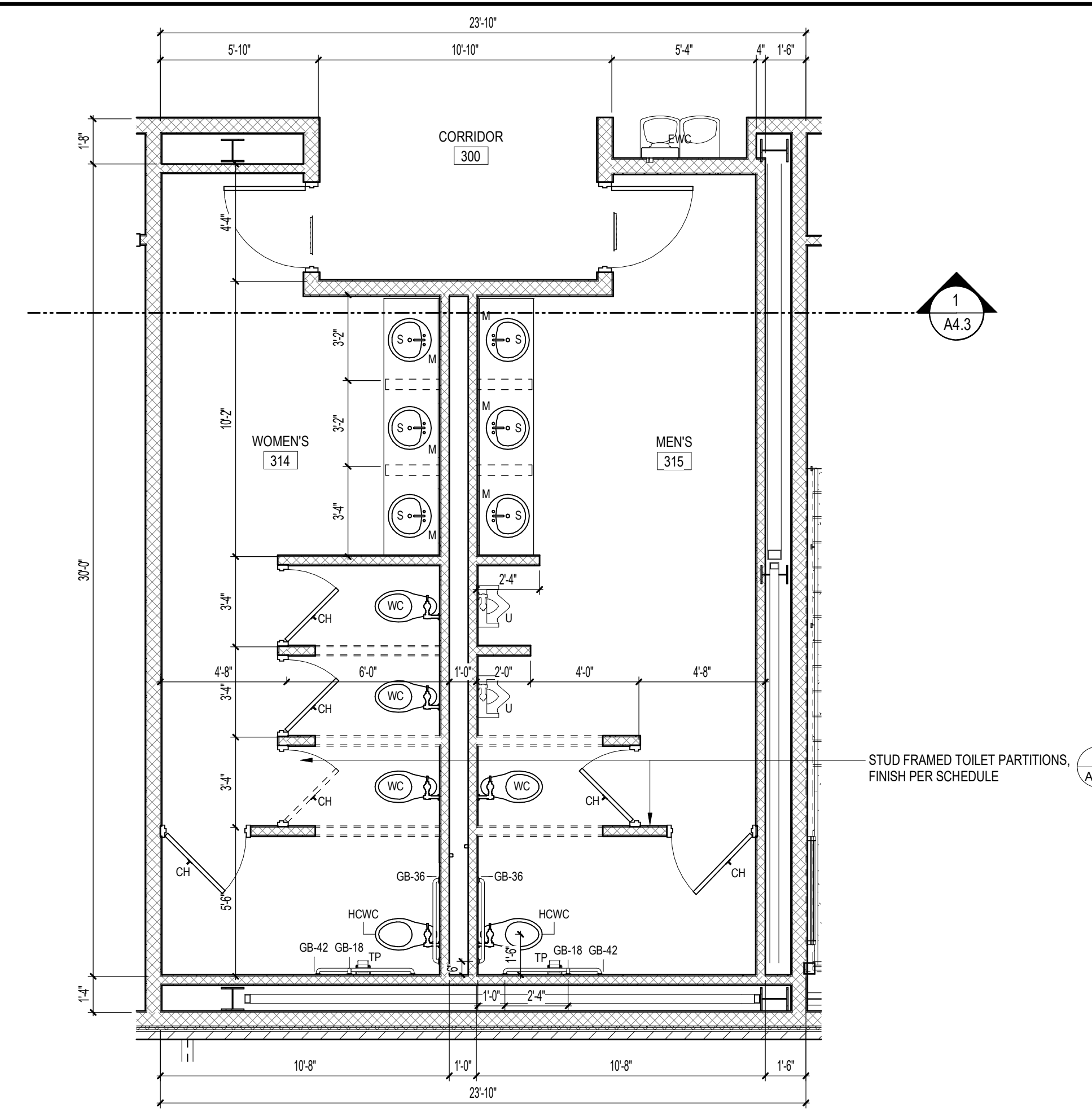


2 ENLARGED PLAN - TOILET 215 & 216  
A2.3 1/4" = 1'-0"



1 SECOND FLOOR PLAN  
A2.3 1/8" = 1'-0"





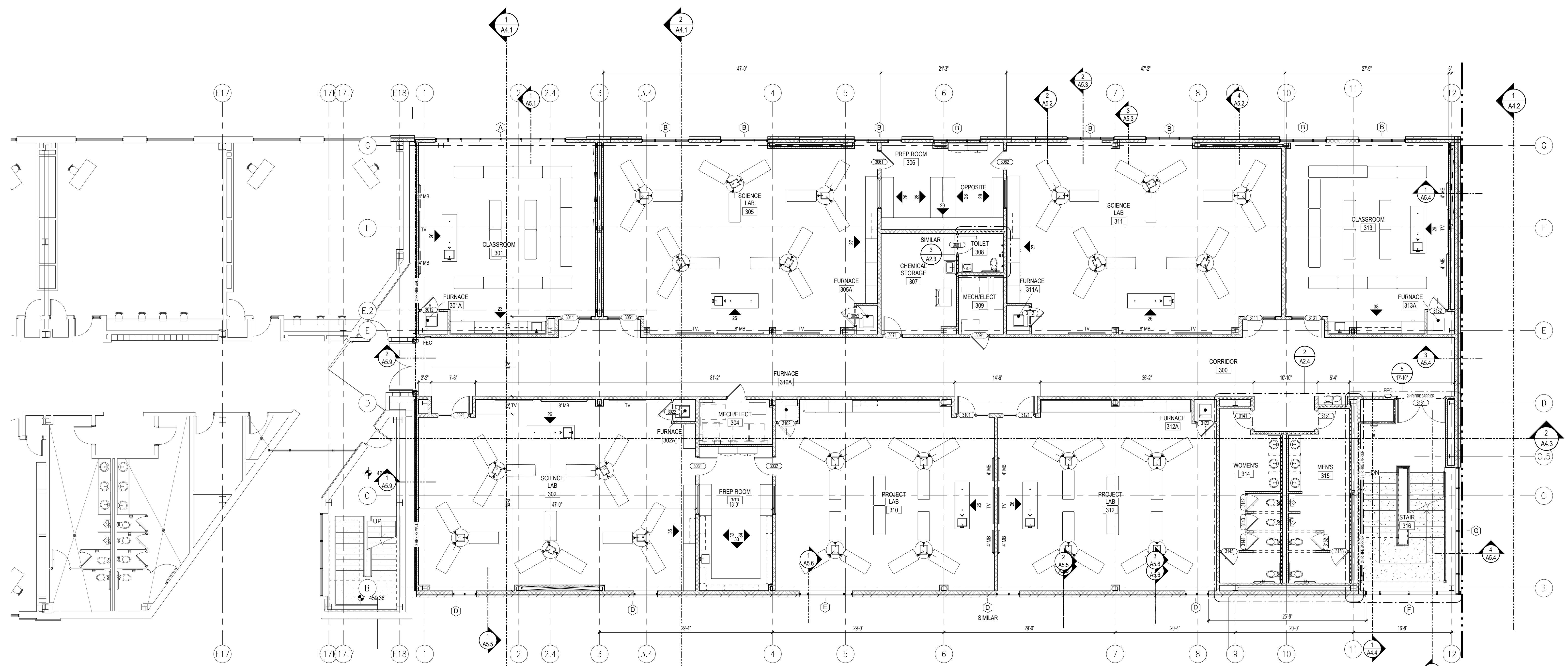
TOILET ACCESSORY SCHEDULE		
MARK	DESCRIPTION	MOUNTING HEIGHT
GB-36	GRAB BAR - 36"	34" A.F.F. to CENTERLINE
GB-42	GRAB BAR - 42"	34" A.F.F. to CENTERLINE
GB-18	VERTICAL GRAB BAR - 18"	40" A.F.F. to BASE
GB-2W	GRAB BAR - 2 WALL	34" A.F.F. to CENTERLINE
GB-3W	GRAB BAR - 3 WALL	34" A.F.F. to CENTERLINE
LAV	LAVATORY - WALL MOUNTED	34" A.F.F. to RIM
S	SINK - COUNTER MOUNTED	
CH	COAT HOOK	54" A.F.F.
M	MIRROR	24"X36" - 40" A.F.F. to BOTTOM OF REFLECTIVE SURFACE
HD	HAND DRYER	44" A.F.F. to BOTTOM
CT	CHANGING TABLE	31" A.F.F. to BOTTOM
HCWC	H.C. WATER CLOSET	17" A.F.F. to SEAT
WC	WATER CLOSET	15" A.F.F. to SEAT
U	URINAL	24" A.F.F. to RIM
HEWC	HANDICAP WATER COOLER	36" to SPOUT
FSS	FOLDING SHOWER SEAT	17" A.F.F. to SEAT
EWC	ELECT. WATER COOLER w/ BOTTLE FILLER	42" to SPOUT / 36" to SPOUT @ ADA
CR	SHOWER CURTAIN & ROD	7'-0" A.F.F.

NOTES:

- TOILET PAPER AND SOAP DISPENSERS ARE TO BE PROVIDED BY THE OWNER. TOILET PAPER DISPENSER ARE TO BE INSTALLED NO LOWER THAN 18" AFF. THE OPERATION AND SPOUT PORTION OF SOAP DISPENSERS SHALL BE INSTALLED AT 44" AFF. CONTRACTOR TO COORDINATE AND VERIFY

- ### GENERAL NOTES
- SEE OVERALL PLAN SHEET A1.1 FOR CODE DATA AND FIRE PROTECTION REQUIRMENTS AND METHODS
  - CONTRACTOR TO VISIT SITE TO BECOME FAMILIAR WITH EXISTING CONDITIONS PRIOR TO BIDDING PROJECT. BRING ANY DISCREPANCIES TO THE ATTENTION OF THE ARCHITECT PRIOR TO BID.
  - INTERIOR LIGHT GAUGE METAL STUD WALLS
    - WALLS SHALL BE FRAMED WITH 3 5/8" OR 6" (SEE PLAN) MEMBERS AT 16" O.C. w/ CONTINUOUS TRACK TOP AND BOTTOM, UNLESS NOTED OTHERWISE.
    - EXTEND ALL WALLS 8" MIN. ABOVE CEILING
    - WALLS WITHOUT AN ADJACENT FINISHED CEILING SHALL EXTEND TO DECK ABOVE
    - LIGHT GAUGE FRAMING NOT SUFFICIENTLY BRACED BY INTERSECTING FRAMING OR REQUIRED BY HEIGHT OF FRAMING SHALL BE BRACED TO STRUCTURE WITH METAL STUD KICKERS (APPROXIMATELY 45 DEGREES) AT 48" ON CENTER MAXIMUM.
  - PRIVACY WALLS (BLOCK OR STUD) SHALL EXTEND TO FLOOR DECK OR 5'-0" ABOVE HIGHEST ADJACENT CEILING WITH L.G. METAL FRAMING AND 5/8" GYPSUM BOARD ON AT LEAST ONE SIDE.
  - INTERIOR DOORS NOT DIMENSIONS SHALL BE LOCATED AS FOLLOWS:
    - HINGE SIDE ADJACENT TO INTERSECTING WALL (CMU)
    - HINGE SIDE 4" OFF INTERSECTING WALL (STUD)
    - LATCH SIDE 1'-4" OFF INTERSECTING WALL (STUD/CMU)
    - CENTERED BETWEEN INTERSECTING WALLS (STUD/CMU)
  - PROVIDE HOUSEKEEPING PADS FOR ELECTRICAL AND MECHANICAL EQUIPMENT. VERIFY SIZE AND LOCATION WITH ELECTRICAL, PLUMBING, AND HVAC INSTALLERS AND MANUFACTURERS.
  - FOR SOUND TRANSFER CONTROL, FILL STUD WALLS WITH SOUND ATTENUATION BLANKET INSULATION. INSTALL BATT INSULATION ON ALL CEILING AROUND PERIMETER OF ROOMS EXTENDING 2'-0" FROM ALL INTERIOR WALLS UNLESS NOTED OTHERWISE IN REFLECTED CEILING PLAN NOTES.
  - GYPSUM BOARD EXPANSION JOINTS SHALL BE LOCATED 30" O.C. MAXIMUM. VERIFY LOCATIONS WITH ARCHITECT. LOCATE ABOVE DOOR HEADS WHERE POSSIBLE.
  - FIELD VERIFY ALL DIMENSIONS FOR HANDRAILS, EQUIPMENT, ETC. PRIOR TO FABRICATION AND INSTALLATION.
  - PROVIDE WOOD FOR BLOCKING WHERE BLOCKING IS REQUIRED. WHERE BLOCKING CONTACTS METAL FRAME, STUDS, ETC. SEPARATE WITH BUILDING FELT TO AVOID REACTIONS BETWEEN WOOD AND METALS.
  - ALL FIRE WALLS AND BARRIERS SHALL BE MARKED WITH SIGNAGE READING, "FIRE AND/OR SMOKE BARRIER. PROTECT ALL OPENINGS" ACCORDING TO 2021 ARKANSAS FIRE PREVENTION CODE SECTION 703.1. ALL PENETRATIONS SHALL BE PROTECTED BY AN APPROVED THROUGH-PENETRATION FIRESTOP SYSTEM IN ACCORDANCE WITH UL 1479

2 A2.4 ENLARGED PLAN - TOILETS 314 & 315 / 414 & 415  
1/4" = 1'-0"



1 A2.4 THIRD FLOOR PLAN  
1/8" = 1'-0"

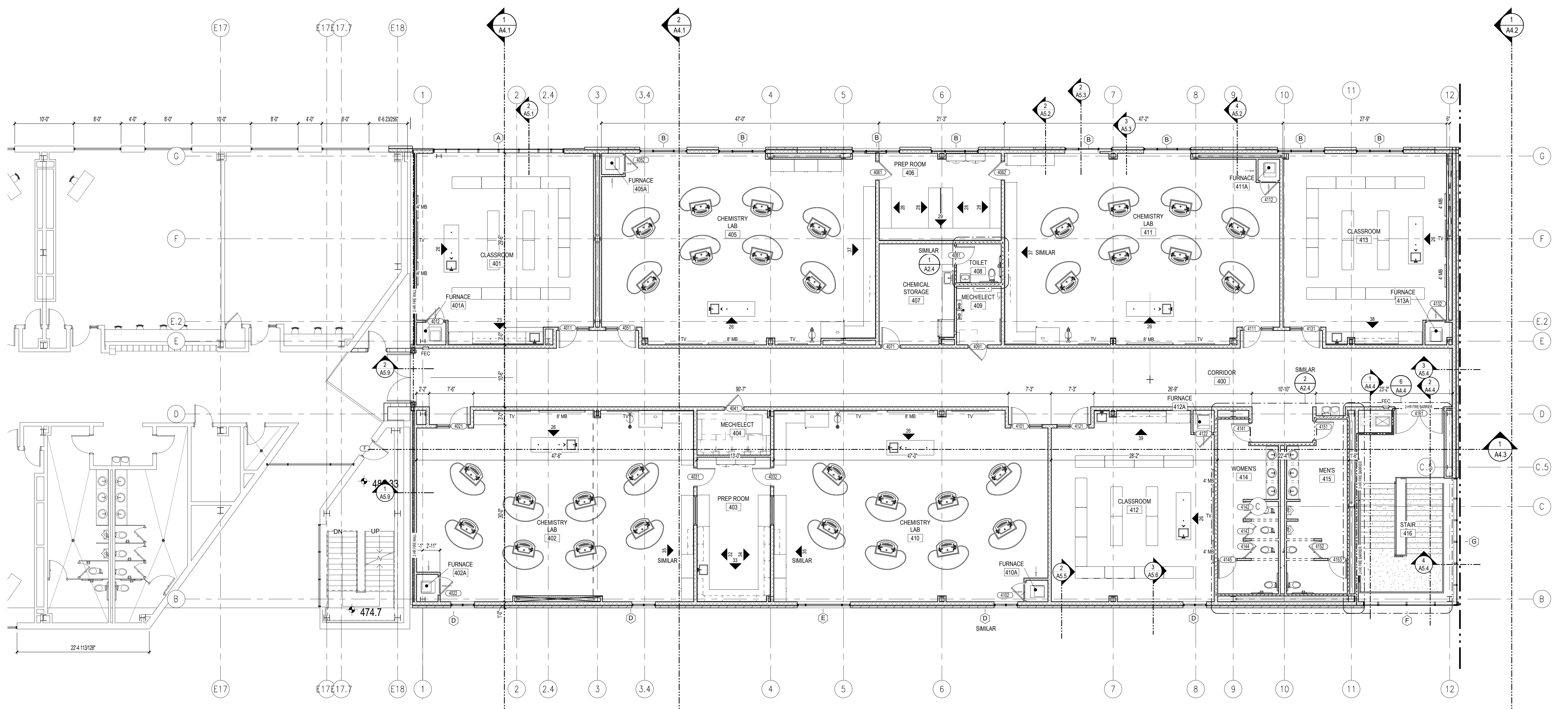


TOILET ACCESSORY SCHEDULE		
MARK	DESCRIPTION	MOUNTING HEIGHT
GB-36	GRAB BAR - 36"	34" A.F.F. to CENTERLINE
GB-42	GRAB BAR - 42"	34" A.F.F. to CENTERLINE
GB-18	VERTICAL GRAB BAR - 18"	40" A.F.F. to BASE
GB-2W	GRAB BAR - 2 WALL	34" A.F.F. to CENTERLINE
GB-3W	GRAB BAR - 3 WALL	34" A.F.F. to CENTERLINE
LAV	LAVATORY - WALL MOUNTED	34" A.F.F. to RIM
S	SINK - COUNTER MOUNTED	
CH	COAT HOOK	54" A.F.F.
M	MIRROR	24"X36" - 40" A.F.F. to BOTTOM OF REFLECTIVE SURFACE
HD	HAND DRYER	44" A.F.F. to BOTTOM
CT	CHANGING TABLE	31" A.F.F. to BOTTOM
HCWC	H.O. WATER CLOSET	17" A.F.F. to SEAT
WC	WATER CLOSET	15" A.F.F. to SEAT
U	URINAL	24" A.F.F. to RIM
HEWC	HANDICAP WATER COOLER	36" to SPOUT
FSS	FOLDING SHOWER SEAT	17" A.F.F. to SEAT
EWC	ELECT. WATER COOLER w/ BOTTLE FILLER	42" to SPOUT / 36" to SPOUT @ ADA
CR	SHOWER CURTAIN & ROD	7'-0" A.F.F.

NOTES:

- TOILET PAPER AND SOAP DISPENSERS ARE TO BE PROVIDED BY THE OWNER. TOILET PAPER DISPENSER ARE TO BE INSTALLED NO LOWER THAN 18" AFF. THE OPERATION AND SPOUT PORTION OF SOAP DISPENSERS SHALL BE INSTALLED AT 44" AFF. CONTRACTOR TO COORDINATE AND VERIFY

- ### GENERAL NOTES
- SEE OVERALL PLAN SHEET A1.1 FOR CODE DATA AND FIRE PROTECTION REQUIRMENTS AND METHODS
  - CONTRACTOR TO VISIT SITE TO BECOME FAMILIAR WITH EXISTING CONDITIONS PRIOR TO BIDDING PROJECT. BRING ANY DISCREPANCIES TO THE ATTENTION OF THE ARCHITECT PRIOR TO BID.
  - INTERIOR LIGHT GAUGE METAL STUD WALLS
    - WALLS SHALL BE FRAMED WITH 3 5/8" OR 6" (SEE PLAN) MEMBERS AT 16" O.C. w/ CONTINUOUS TRACK TOP AND BOTTOM, UNLESS NOTED OTHERWISE.
    - EXTEND ALL WALLS 8" MIN. ABOVE CEILING
    - WALLS WITHOUT AN ADJACENT FINISHED CEILING SHALL EXTEND TO DECK ABOVE
    - LIGHT GAUGE FRAMING NOT SUFFICIENTLY BRACED BY INTERSECTING FRAMING OR REQUIRED BY HEIGHT OF FRAMING SHALL BE BRACED TO STRUCTURE WITH METAL STUD KICKERS (APPROXIMATELY 45 DEGREES) AT 48" ON CENTER MAXIMUM.
  - PRIVACY WALLS (BLOCK OR STUD) SHALL EXTEND TO FLOOR DECK OR 5'-0" ABOVE HIGHEST ADJACENT CEILING WITH L.G. METAL FRAMING AND 5/8" GYPSUM BOARD ON AT LEAST ONE SIDE.
  - INTERIOR DOORS NOT DIMENSIONS SHALL BE LOCATED AS FOLLOWS:
    - HINGE SIDE ADJACENT TO INTERSECTING WALL (CMU)
    - HINGE SIDE 4" OFF INTERSECTING WALL (STUD)
    - LATCH SIDE 1'-4" OFF INTERSECTING WALL (STUD/CMU)
    - CENTERED BETWEEN INTERSECTING WALLS (STUD/CMU)
  - PROVIDE HOUSEKEEPING PADS FOR ELECTRICAL AND MECHANICAL EQUIPMENT. VERIFY SIZE AND LOCATION WITH ELECTRICAL, PLUMBING, AND HVAC INSTALLERS AND MANUFACTURERS.
  - FOR SOUND TRANSFER CONTROL, FILL STUD WALLS WITH SOUND ATTENUATION BLANKET INSULATION. INSTALL BATT INSULATION ON ALL CEILING AROUND PERIMETER OF ROOMS EXTENDING 2'-0" FROM ALL INTERIOR WALLS UNLESS NOTED OTHERWISE IN REFLECTED CEILING PLAN NOTES.
  - GYPSUM BOARD EXPANSION JOINTS SHALL BE LOCATED 30" O.C. MAXIMUM. VERIFY LOCATIONS WITH ARCHITECT. LOCATE ABOVE DOOR HEADS WHERE POSSIBLE.
  - FIELD VERIFY ALL DIMENSIONS FOR HANDRAILS, EQUIPMENT, ETC. PRIOR TO FABRICATION AND INSTALLATION.
  - PROVIDE WOOD FOR BLOCKING WHERE BLOCKING IS REQUIRED. WHERE BLOCKING CONTACTS METAL FRAME, STUDS, ETC. SEPARATE WITH BUILDING FELT TO AVOID REACTIONS BETWEEN WOOD AND METALS.
  - ALL FIRE WALLS AND BARRIERS SHALL BE MARKED WITH SIGNAGE READING, "FIRE AND/OR SMOKE BARRIER. PROTECT ALL OPENINGS" ACCORDING TO 2021 ARKANSAS FIRE PREVENTION CODE SECTION 703.1. ALL PENETRATIONS SHALL BE PROTECTED BY AN APPROVED THROUGH-PENETRATION FIRESTOP SYSTEM IN ACCORDANCE WITH UL 1479

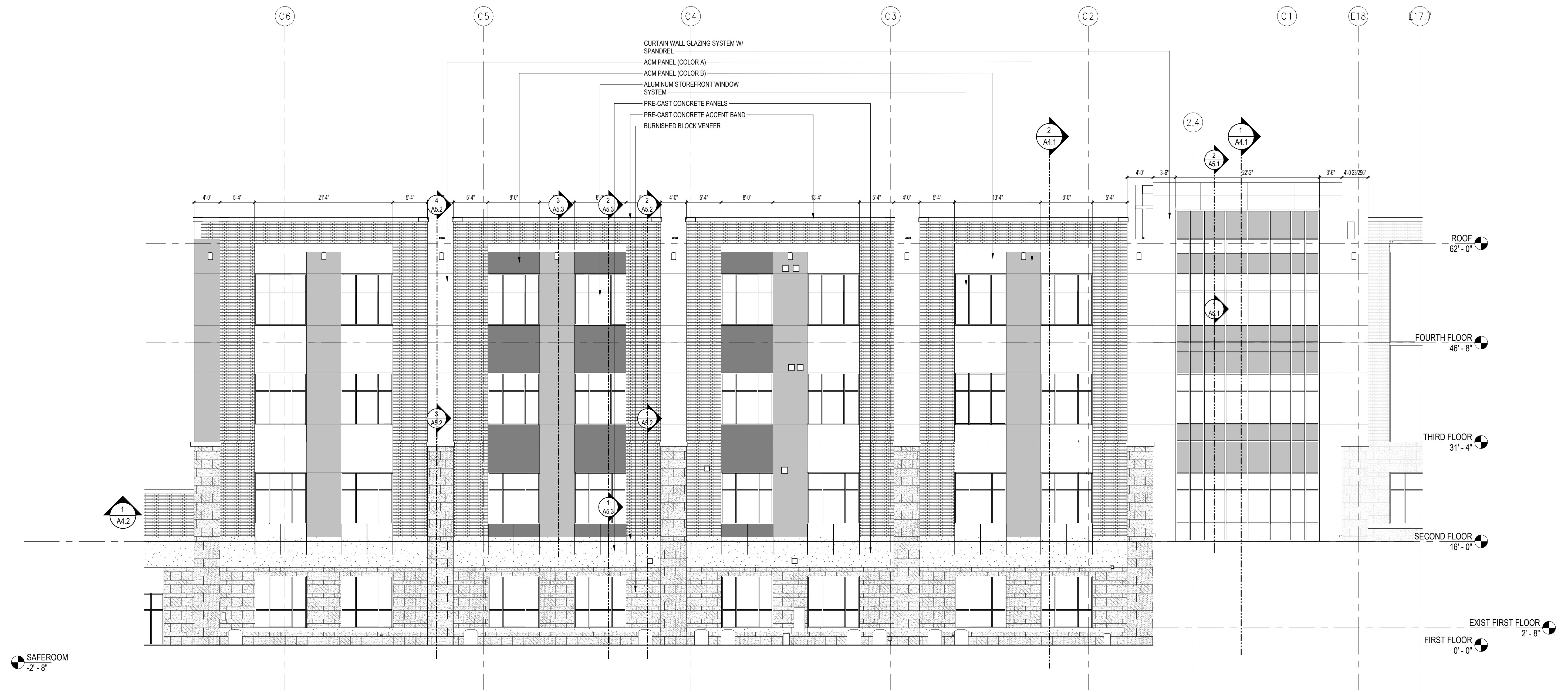


**FOURTH FLOOR PLAN**  
 1/8" = 1'-0"

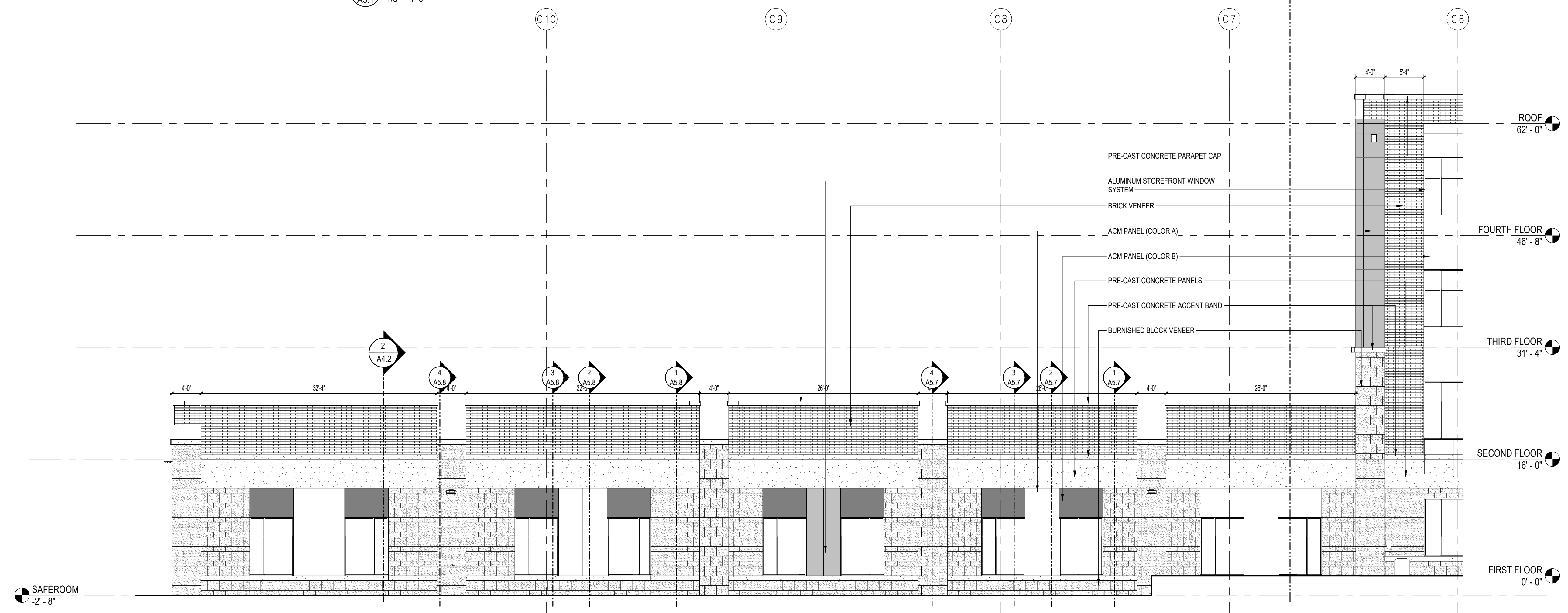


DATE: 09 APRIL 2024  
 PROJECT NO.: 23060  
 DRAWN BY: NRW  
 REVISION:





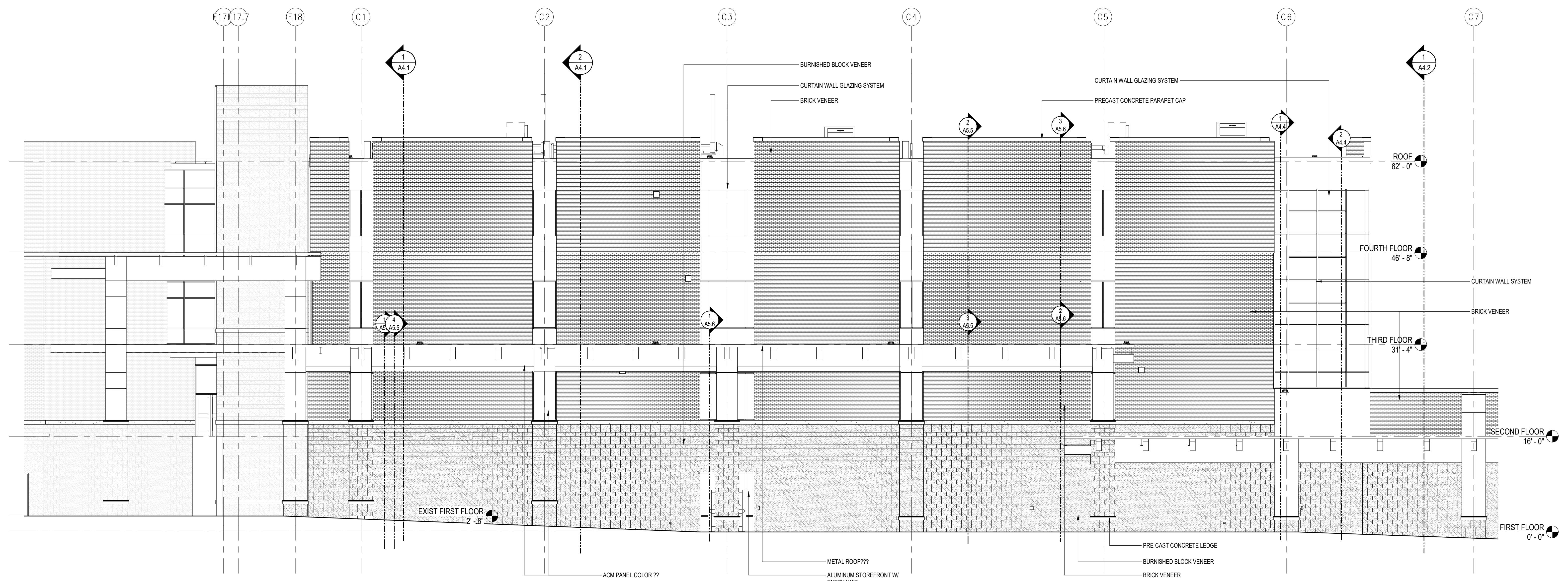
2 EAST ELEVATION - AREA A  
A3.1 1/8" = 1'-0"



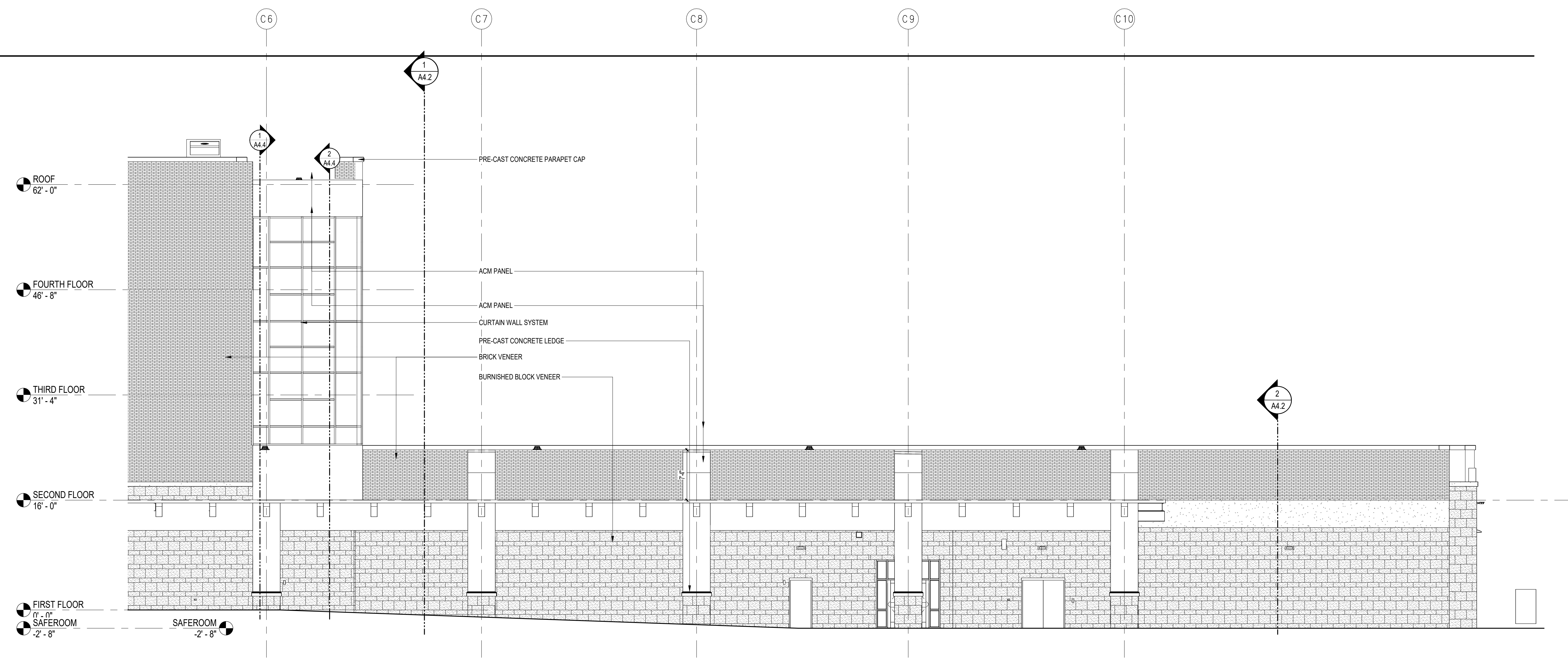
4 EAST ELEVATION - AREA B  
A3.1 1/8" = 1'-0"





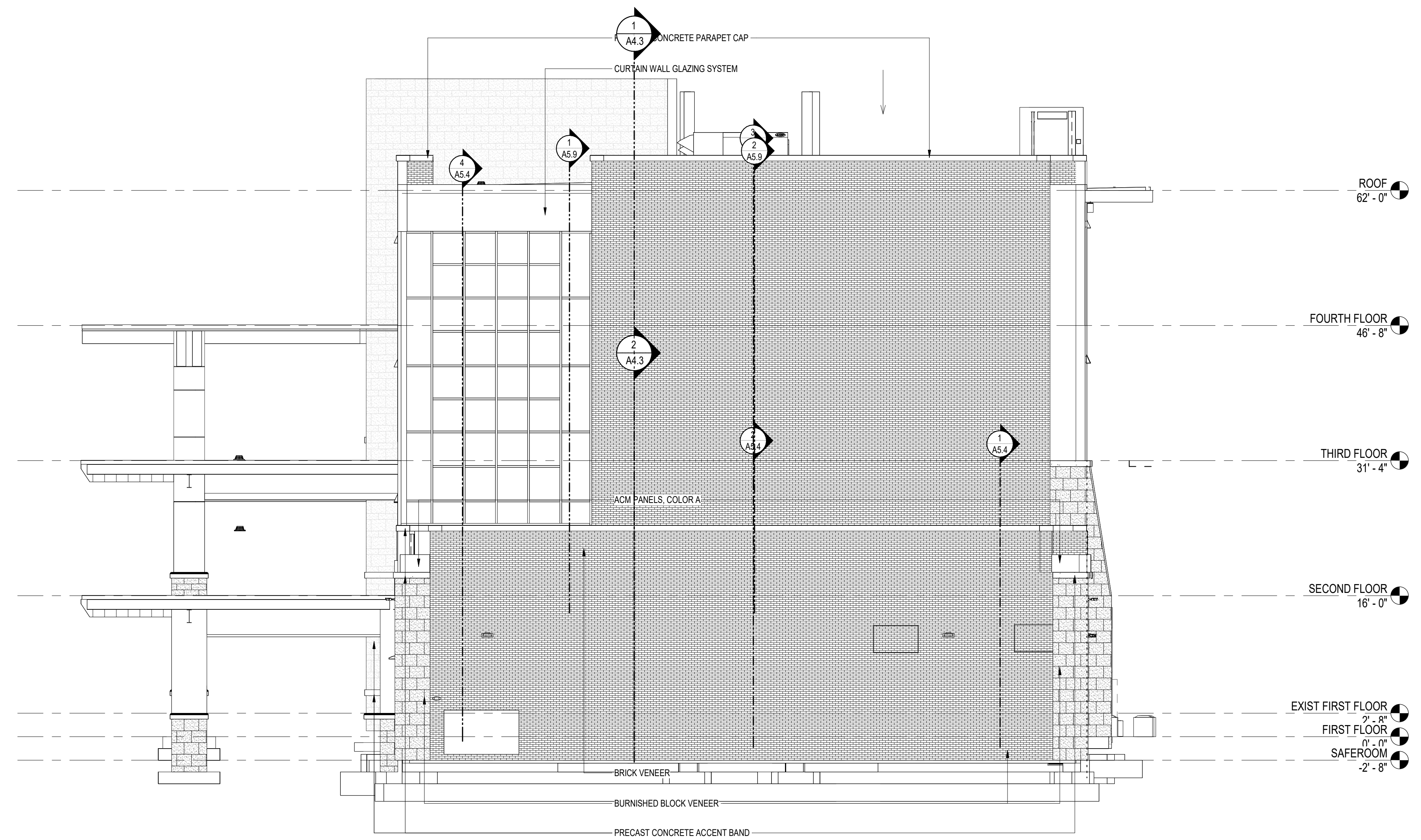


1 WEST ELEVATION - AREA A  
 A3.2 1/8" = 1'-0"



2 WEST ELEVATION - AREA B  
 A3.2 1/8" = 1'-0"





1 SOUTH ELEVATION  
A3.3 1/8" = 1'-0"



DATE: 09 APRIL 2024  
PROJECT NO.: 23060  
DRAWN BY: NRW  
REVISION: