



City of Bryant, Arkansas
 Community Development
 210 SW 3rd Street Bryant, AR 72022
 501-943-0943

SIGN PERMIT APPLICATION

Applicants are advised to read the Sign Ordinance prior to completing and signing this form.
 The Sign Ordinance is available at www.cityofbryant.com under the Planning and Community Development tab.

Note: Electrical Permits may be Required. Please contact the Community Development Office for more information.

Date: 10/20/2022

Sign Co. or Sign Owner

Name Alicia Walton
 Address 4825 E. Kearney St
 City, State, Zip Springfield MO 65803
 Phone 417-862-2454
 Email Address aliciaw@springfieldsign.com

Property Owner

Name Lamontia LLC
 Address 118 vernona Circle
 City, State, Zip Sherwood, AR 72120
 Phone _____
 Email Address _____

GENERAL INFORMATION

Name of Business Scooter's Coffee
 Address/Location of sign 1816 N Reynolds Rd
 Zoning Classification C-1

Please use following page to provide details on the signs requesting approval. Along with information provided on this application, a **Site Plan showing placement of sign(s) and any existing sign(s) on the property is required** to be submitted. **Renderings of the sign(s) showing the correct dimensions is also required** to be submitted with the application. A thirty-five dollar (\$35) per sign payment will be collected at the time of permit issuance. According to the Sign Ordinance a fee for and sign variance or special sign permit request shall be one hundred dollars (\$100). Additional documentation may be required by Sign Administrator.

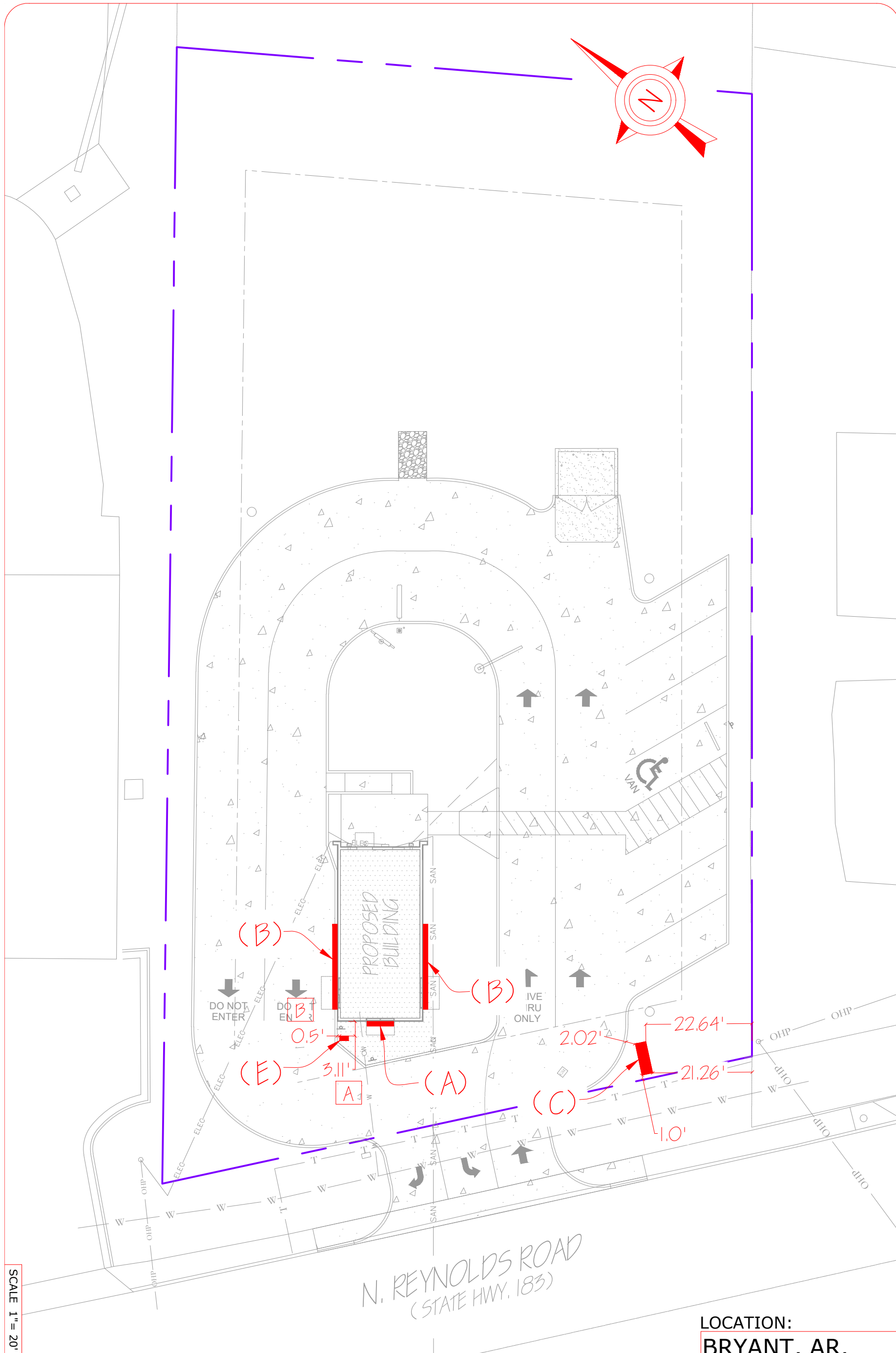
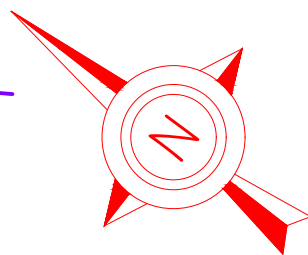
READ CAREFULLY BEFORE SIGNING

I Alicia Walton, do hereby certify that all information contained within this application is true and correct. I fully understand that the terms of the Sign Ordinance supersede the Sign Administrator's approval and that all signs must fully comply with all terms of the Sign Ordinance regardless of approval. I further certify that the proposed sign is authorized by the owner of the property and that I am authorized by the property owner to make this application. I understand

that no sign may be placed in public right of way. I understand that I must comply with all Building and Electrical Codes and that it is my responsibility to obtain all necessary permits.

Use table below to enter information regarding each sign for approval. Please use each letter to reference each sign rendering.

SIGN	Type (Façade, Pole, Monument, other)	Dimensions (Height, Length, Width)	Sqft (Measured in whole as rectangle)	Height of Sign (Measured from lot surface)		Column for Admin Certifying Approval
				Top of Sign	Bottom of Sign	
A	Facade Front	5' 8 1/2 x 5'	28.54			
B	Facade side	48" x 218.25"	65.06			
C	Facade side	48" x 218.25"	65.06			
E						
F	Ground	72" x 82.25"	41.1	144"	72"	
G	Ground EMC	24" x 56"	9.3	68"	44"	



SCALE 1" = 20'

N. REYNOLDS ROAD
(STATE HWY. 183)

LOCATION:
BRYANT, AR.

Project No.: 38745
Drawn By: CLH
Reviewed By: MW
Date: 10-15-22

**SCOOTER'S COFFEE
NEW-SIGNAGE
1816 N. REYNOLDS RD.
BRYANT, AR. 72022
SIGN PLACEMENT PLAN**

SPRINGFIELD SIGN
4825 E. Kearney St.
Springfield, MO 65803
(417) 862-2454

Sheet Number:
1 OF 1

1-POLE, 12' OAH

SPRINGFIELD SIGN
SHOOTERS

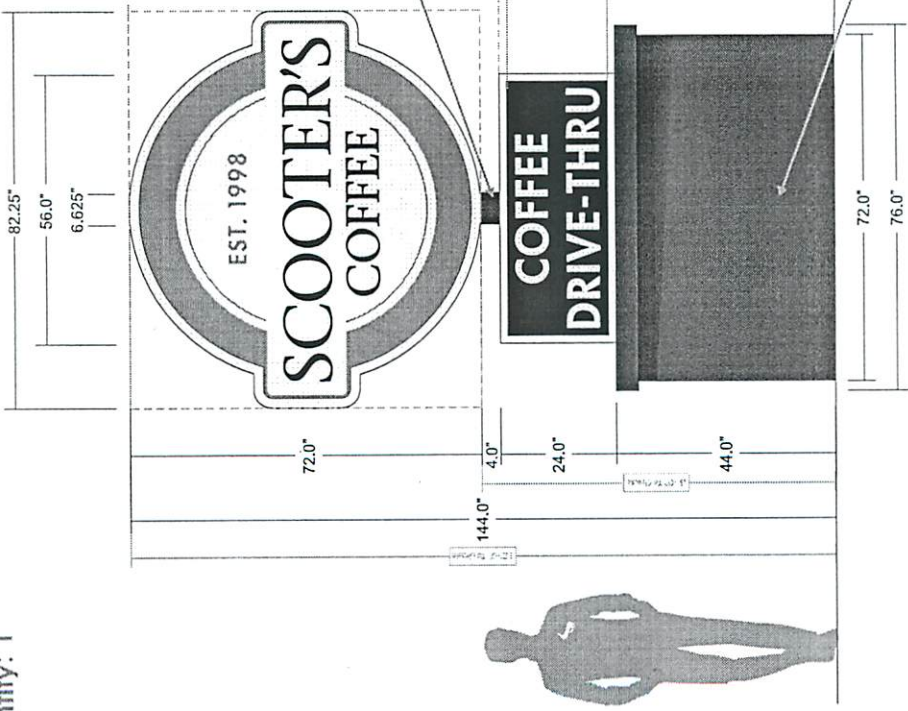
1816 N. REYNOLDS BLVD
BRYANT, AR

DRAWING SCALE: 1/2" = 10" | DATE CREATED: 00/00/22 | DATE REVISED: N/A | REV_0 | SALES: Shaun Crawford | 800.845.9927 | CLIENT: Scooter's Coffee | LOCATION: 1816 N REYNOLDS RD, BRYANT, AR 72022 | DRAWING #: ar38745-6 | # 2055 | © 2021 Springfield Sign, All Rights Reserved

3M Lt. Tomato Red Translucent Film (3630-43) | 3M Black Opaque Film (7725-12) | DESIGN: R HICKS | MON72

DETAIL VIEW - D/F MONUMENT

Quantity: 1



MONUMENT - LED ILLUMINATED CABINET	
FACE MATERIAL:	3/16" WHITE ACRYLIC
CABINET DEPTH:	18"
RETAINER INFO:	2" WHITE
ILLUMINATION:	D/F LED INT. ILLUM.
MOUNTING:	POLE MOUNTED
CABINET MATERIAL:	ALUMINUM

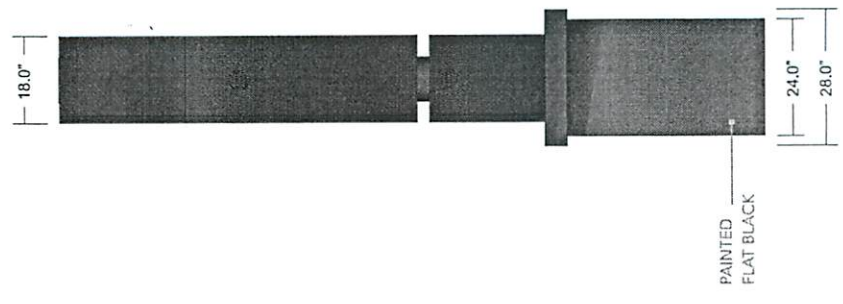
41.1 Sqft

NOTE: POLE STRUCTURE TO BE PAINTED SW6992 INKWELL

MONUMENT - LED ILLUMINATED CABINET	
FACE MATERIAL:	3/16" WHITE ACRYLIC
CABINET DEPTH:	18"
RETAINER INFO:	1.5" WHITE
ILLUMINATION:	D/F LED INT. ILLUM.
MOUNTING:	POLE MOUNTED
CABINET MATERIAL:	ALUMINUM

9.3 Sqft

Total Sq. Ft. 50.4



PAINTED FLAT BLACK

NOTE: BASE MADE BY OTHERS



SPRINGFIELDSIGN.com

This drawing is copyrighted material. It remains the property of Springfield Sign unless otherwise agreed upon in writing. It is unlawful to use this drawing for bidding purposes, reproduction, copying, or use in any other way without the express written consent of Springfield Sign, Inc. The price, specifications and lead times may vary from that depicted herein.

CROCKER
3211 E. SHADY GLEN ST.
SPRINGFIELD, MO 65804
417-883-4056

1-POLES 12'0" AH

SPRINGFIELD SIGN SCOOTERS

1816 N. REYNOLDS BLVD BRYANT, AR

2

115 mph

Steel

P M

6.9 x 6.9 x 20 = 952 x 9 = 8570

6.4 x 5.7 x 20 = 730 x 3 = 2189

1682 10,759

SR = 10,759 x 12 = 5,512 in^3 / 23,450

Sp 6" pipe = 8,500 in^3 / 6.625 x 0.280

Sp > Se OK

SR = SECTION MODULUS REQUIRED SP = SECTION MODULUS PROVIDED

CONCRETE

6" pipe

P = 1682

M = 10,759

h = 6.4

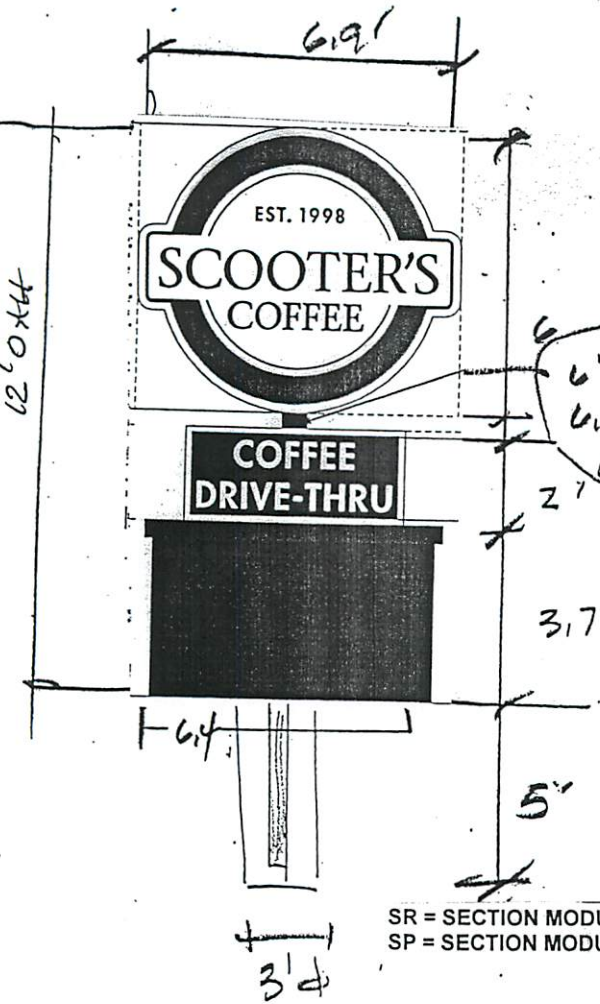
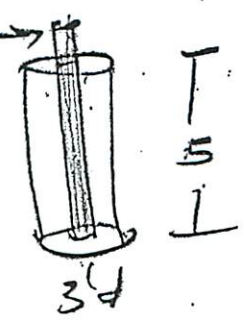
b = 3

Se = (150)(2)(4/3)(5/3) = 667

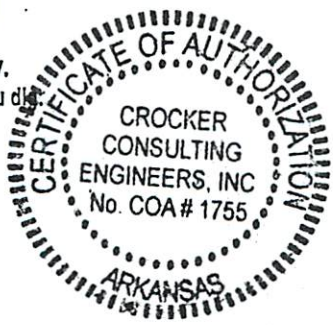
d = ((1.17)(1682) / ((3)(667)))^(1/4) = 4.8' req'd

base is 3'4" x 5' deep

OK



Know what's below. Call before you dig.



Handwritten notes: 2022.10.15

CROCKER 3211 E. SHADY GLEN ST. SPRINGFIELD, MO 65804 417-883-4056

1-POLE, 12' OAH

SPRINGFIELD SIGN
SCOOTERS

1816 N. REYNOLDS BVD
BRYANT, AR

3.

WIND @ 20 PSF
SNOW @ 20 PSF
SOILS AT 1500 PSF (ASSUMED)
LATERAL SOIL LOADING AT 150
FOOTING/FOUNDATION 3'4" x 5' deep

POUR CONCRETE AGAINST UNDISTURBED SOILS, NOT BACKFILL

ALL DESIGN, DETAILING, FABRICATION, AND CONSTRUCTION SHALL CONFORM TO THE FOLLOWING CODES AND SPECIFICATIONS:

IBC 2018 EXP "C" (3-SEC GUST) — *used as base reference for wind loading*

- CURRENT INTL. BLDG CODE (IBC)
- AMERICAN SOCIETY OF TEST'G MAT'LS (ASTM)
- BLDG CODE REQMNT - REINF CONC (ACI 318-83).
- CODE FOR WELDING IN BUILDING CONSTRUCTION OF THE AMERICAN WELDING SOCIETY.
- CURRENT SPECS - AMERICAN INST OF STEEL CONST (ASIC) - DESIGN, FAB, & ERECTION.

CONCRETE 3000 P.S.I. @ 28 DAYS COMPR STR, (145 P.C.F.)

REINF ST'L - ASTM1-615, GR 60, (IF REQD). WELDED WIRE FABRIC (WWF) - ASTM A185

- ALL REINF SHALL BE FREE FROM MUD, OIL, RUST OR COATINGS THAT WOULD REDUCE OR DESTROY BOND
- ALL REINF BARS SHALL LAP 3Ø DIAMETERS OR 12" MINIMUM, EXCEPT AS NOTED.
- MIN CONC COVER ON TIES, STIRRUPS AND MAIN BARS SHALL BE 1 INCH FOR SLAB, WALL AND SURFACES NOT EXPOSED TO WEATHER OR IN CONTACT WITH GROUND ± 3 INCHES FOR UNFORMED SURFACES DEPOSITED AGAINST GROUND EXCEPT AS NOTED.
- TIE RE-BARS. DO NOT WELD RE-BAR.

STRUCTURAL STEEL AND PLATES - A-36.

STRUCTURAL TUBING - ASTM A-500, GR B, FY=50 KSI.
STRUCT PIPE- ASTM A-53, GR B, FY=35 KSI.

ANCHOR BOLTS ASTM A-307, EXCEPT AS NOTED.

HI STRGTH BOLTS - CONNECTIONS - ASTM A-325, U.N.O.

WELDING ELECTRODES - AWS D1.1-85, E70xx.

CONTRACTOR SHALL VERIFY ALL DIMENSIONS AND CONDITIONS IN THE FIELD BEFORE ERECTION AND NOTIFY THE ENGINEER OF ANY DISCREPANCIES.

NO CABINET ENGINEERING PROVIDED. IF CABINET ENGRG IS REQ'D, CONTACT THE ENGINEER FOR ADD'TL SVCS.

6" OF CONCRETE OR GRAVEL PLACED IN BOTTOM OF FOUNDATION PRIOR TO MAIN POUR. ISOLATE ALUMINUM FROM STEEL.

ALL BOLT HOLES TO BE DRILLED OR PUNCHED.

ALL PIPE SIZES SHOWN ARE MINIMUM SIZES. PIPE WITH A LARGER DIAMETER, GREATER YIELD STRENGTH, AND/OR GREATER SECTION MODULUS MAY BE SUBSTITUTED.

ALL STRUCTURAL LENGTHS REQUIRED ARE APPROXIMATIONS ONLY. ACTUAL LENGTH MAY SLIGHTLY VARY DEPENDING ON SIGN CABINET CONDITIONS.

ALL WORK PERFORMED ON SITE SHALL BE DONE ACCORDING TO APPLICABLE OSHA REGULATIONS

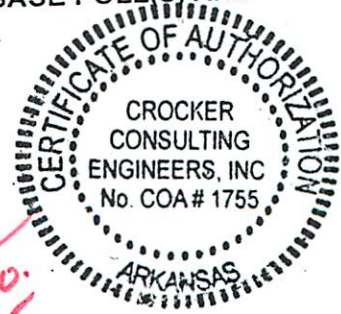
WATER SHOULD NOT BE ALLOWED TO POND IN THE EXCAVATION PRIOR TO CONCRETE PLACEMENT OR ABOVE CONCRETE AFTER THE FDTN IS COMPLETED

EXERCISE CARE DURING EXCAVATION OF THE FOUNDATION TO MINIMIZE DISTURBANCE TO THE SURROUNDING SOILS.

CALCULATIONS SHOWN ON THESE SHEETS ARE ONLY FOR THE BASE POLE(S) AND CONCRETE BASE-FOUNDATION

SR = SECTION MODULUS REQUIRED
SP = SECTION MODULUS PROVIDED

CROCKER
3211 E. SHADY GLEN ST.
SPRINGFIELD, MO 65804
417-883-4056



2022.10.15

1-POLE 12' OAH

SPRINGFIELD SIGN SCOOTERS

1816 N. REYNOLDS Blvd
BRYANT, AR 4.

JOB TITLE Spfld Sign Scooters 12 ft OAH

JOB NO.	_____	SHEET NO.	_____
CALCULATED BY	_____	DATE	_____
CHECKED BY	_____	DATE	_____

Wind Loads - Other Structures:

ASCE 7- 10

use IBC 2018

Nominal Wind Pressures

Wind Factor = 0.60
 Gust Effect Factor (G) = 0.85 Ultimate Wind Speed = 115 mph
 Kzt = 1.00 Exposure = C

A. Solid Freestanding Walls & Solid Signs (& open signs with less than 30% open)

use 20 psf

Dist to sign top (h)	12.0 ft	s/h =	1.00	Case A & B
Height (s)	12.0 ft	B/s =	0.57	C _r = 1.54
Width (B)	6.8 ft	L _r /s =	0.00	F = qz G C _f A _s = 19.1 A _s
Wall Return (L _r) =		K _z =	0.849	A _s = 10.0 sf
Directionality (K _d)	0.85	qz =	14.7 psf	F = 191 lbs
Percent of open area to gross area	0.0%	Open reduction factor =	1.00	Case C
		Horiz dist from windward edge		C _f F=qzGC _f A _s (psf)
		0 to s	1.80	22.4 A _s
		s to 2s	1.20	15.0 A _s
		Case C reduction factors		
		Factor if s/h > 0.8 =	0.80	
		Wall return factor for C _f at 0 to s =	1.00	



2022.10.15

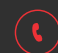
CROCKER
 3211 E. SHADY GLEN ST.
 SPRINGFIELD, MO 65804
 417-883-4056



SPRINGFIELD **SIGN**

Scooter's Coffee | Bryant, AR

Presented by Shaun Crawford

 800.845.9927

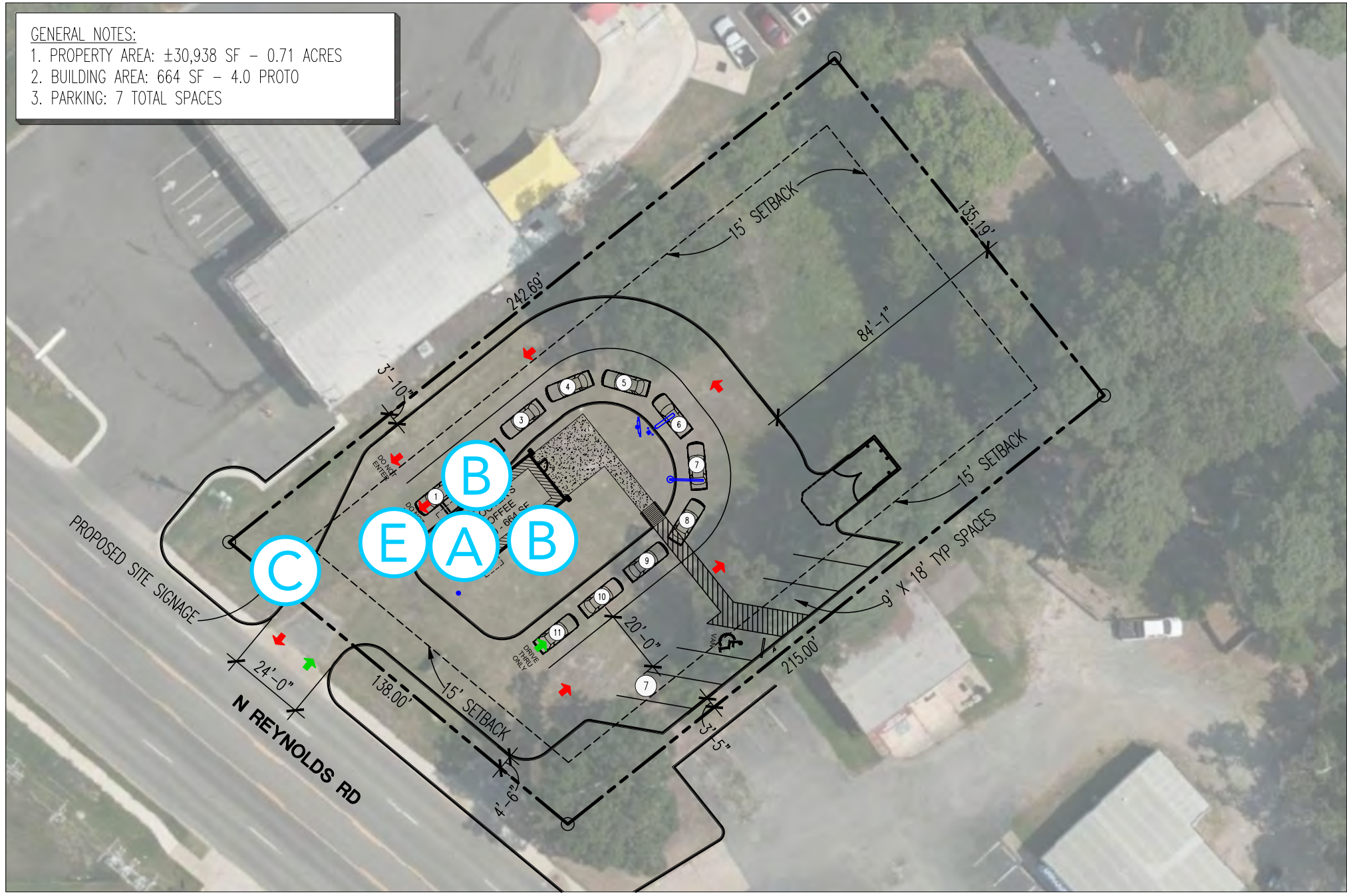
 springfieldsign.com

DISCLAIMER

By continuing to view this art package, you hereby agree to not reproduce, replicate, redistribute, or otherwise copy this artwork. You also agree to not use this artwork for bidding purposes. All images included in this package are property of Springfield Sign unless otherwise noted in writing.

PRELIMINARY SITE PLAN, NOT FOR PERMITTING

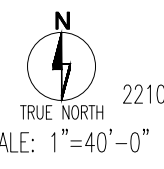
GENERAL NOTES:
 1. PROPERTY AREA: ±30,938 SF - 0.71 ACRES
 2. BUILDING AREA: 664 SF - 4.0 PROTO
 3. PARKING: 7 TOTAL SPACES



SITE PLAN-SIGN TYPE KEY	
CHANNEL CABINET:	A-(FRONT)
CHANNEL LETTERS:	B-(SIDE)
CHANNEL LETTERS:	B-(DRIVE-THRU)
MONUMENT:	C
DIRECTIONAL 1:	E



14901 Quorum Drive
 Suite 300
 Dallas Texas 75254
 Ph: (972) 239-8884
 Fax: (972) 239-5054



Job No. 221065-306
 Date 06/16/22

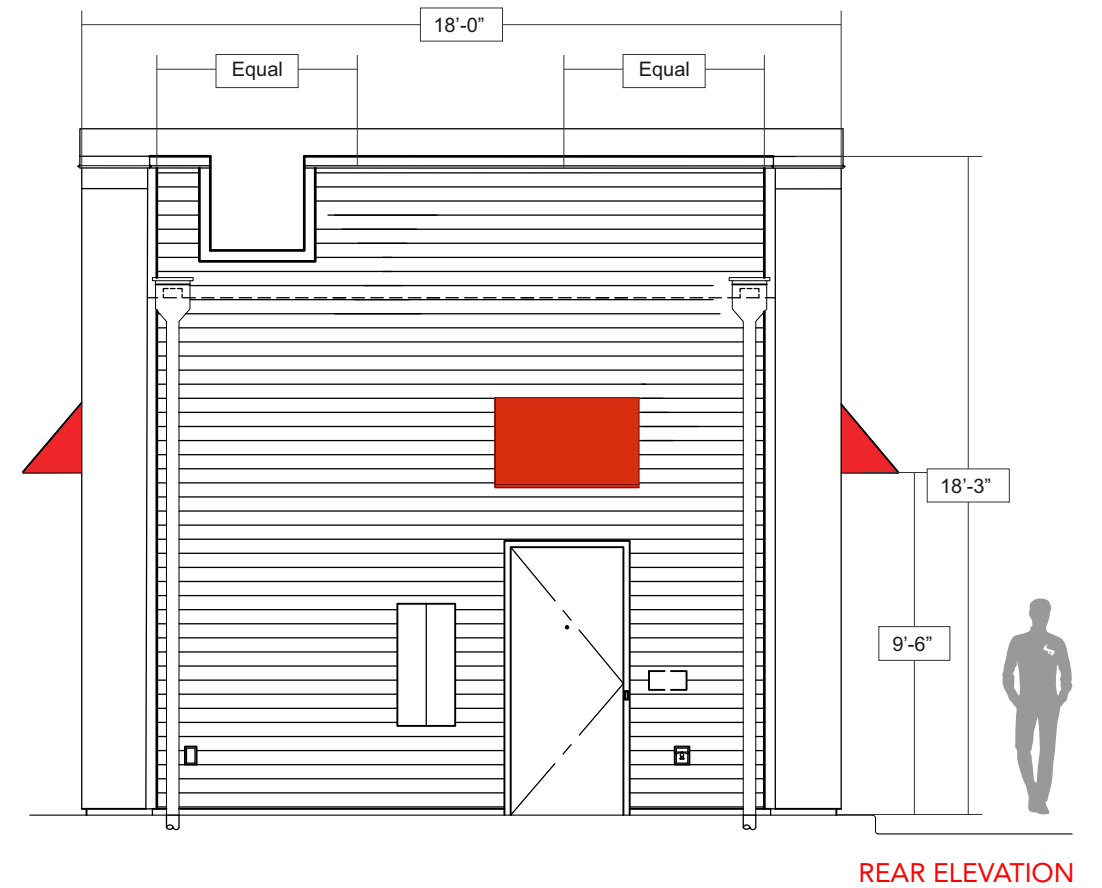
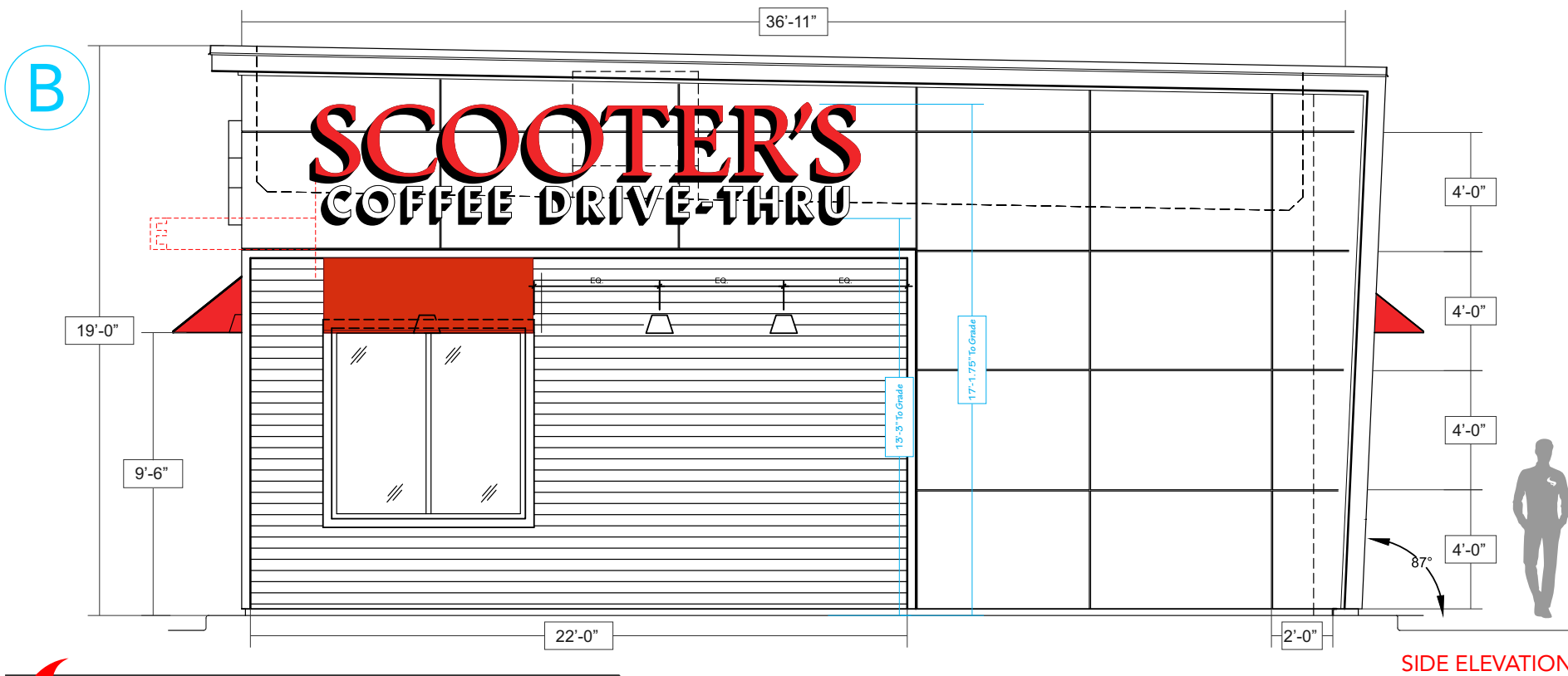
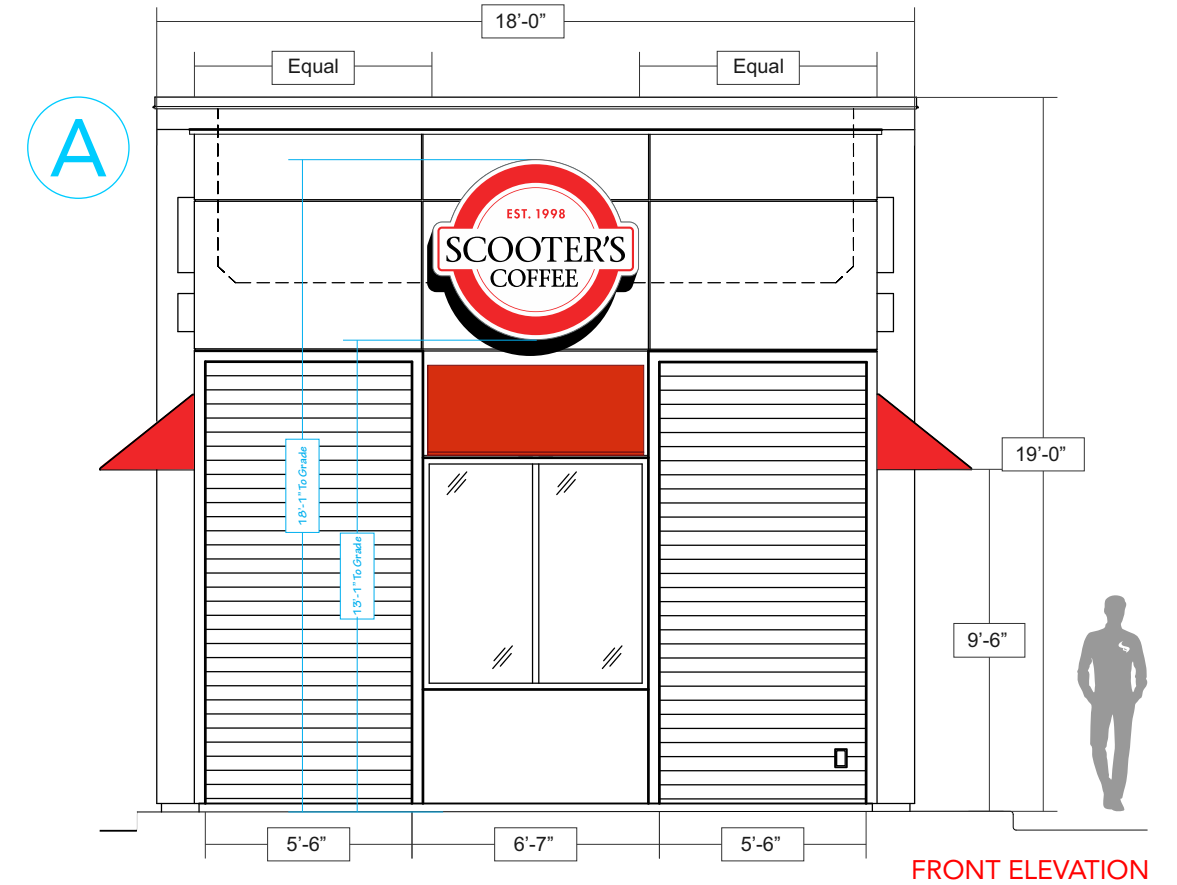
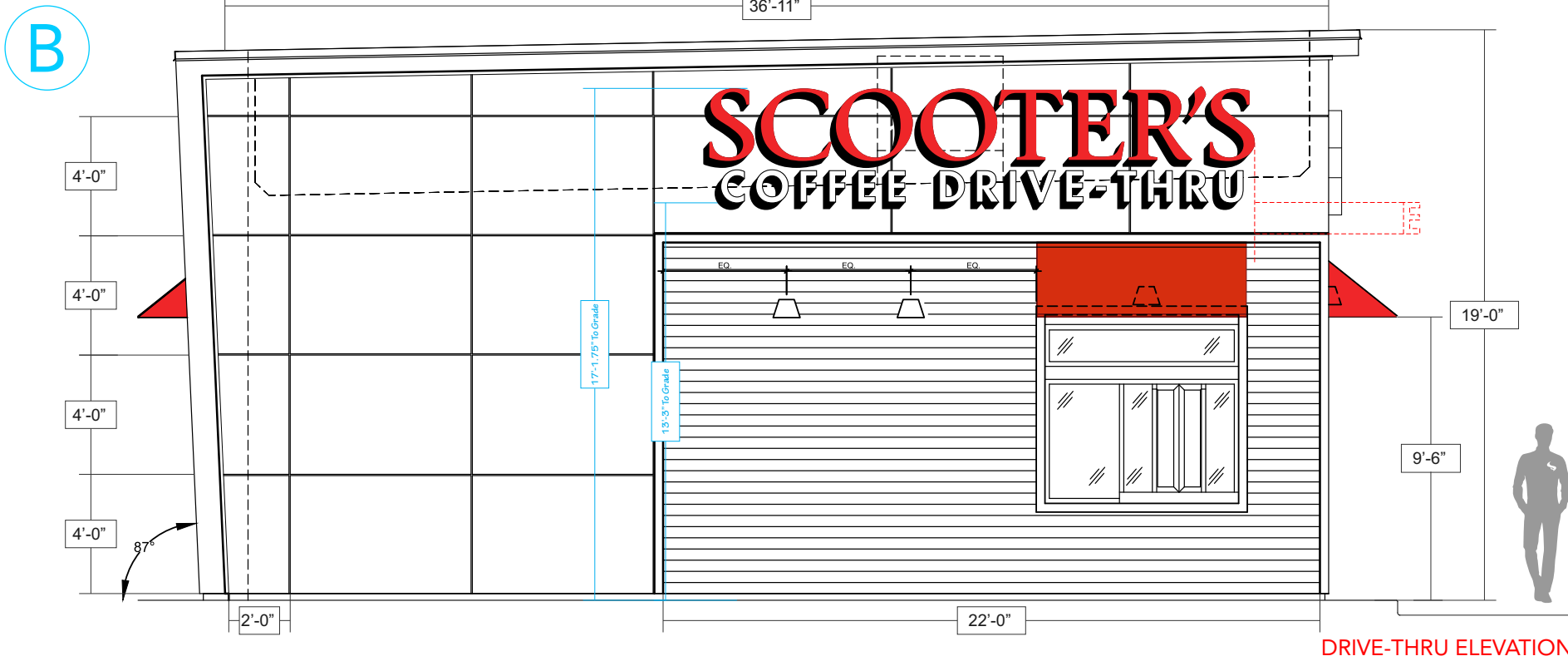
Sheet No. SCHEME: 1

Project SCOOTER'S SITE PLAN

1816 N REYNOLDS RD
 BRYANT, AR



ELEVATION DETAILS



3M Lt. Tomato Red Translucent Film (3630-43)

3M Black Opaque Film (7725-12)

CAB5

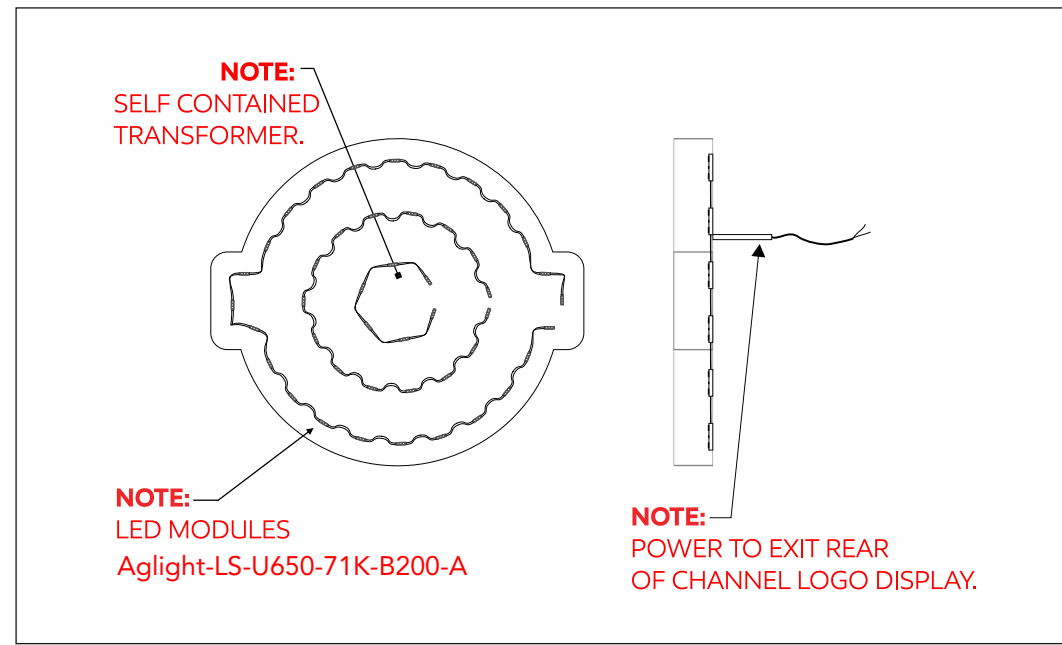
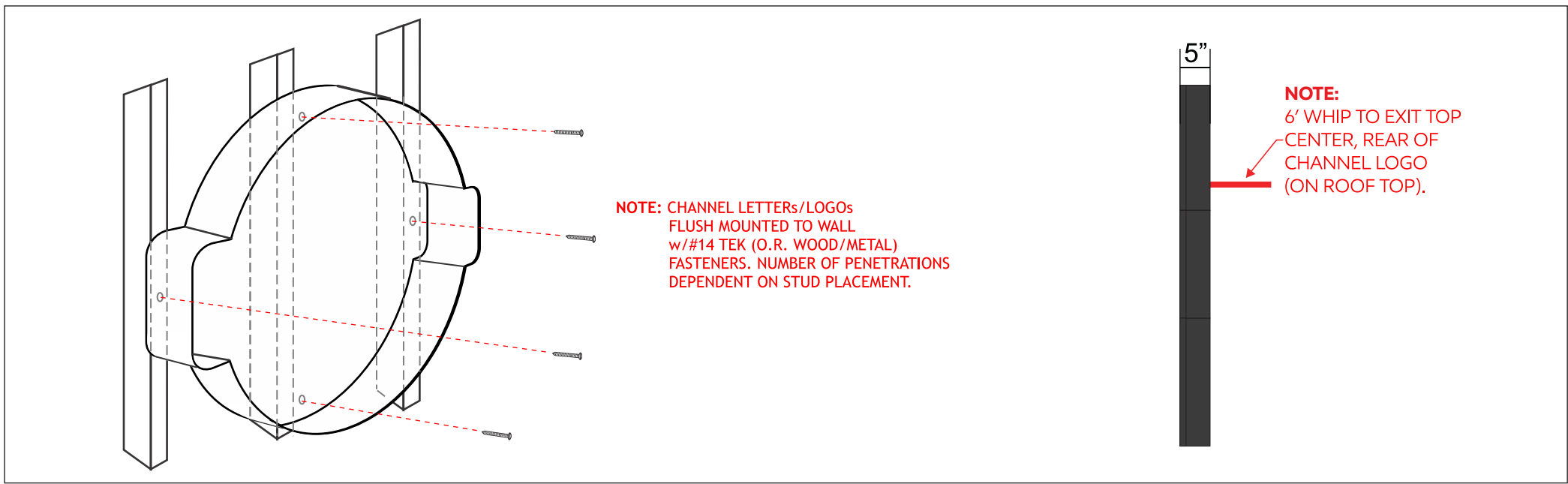
DETAIL VIEW - CHANNEL CABINET

Quantity: 1



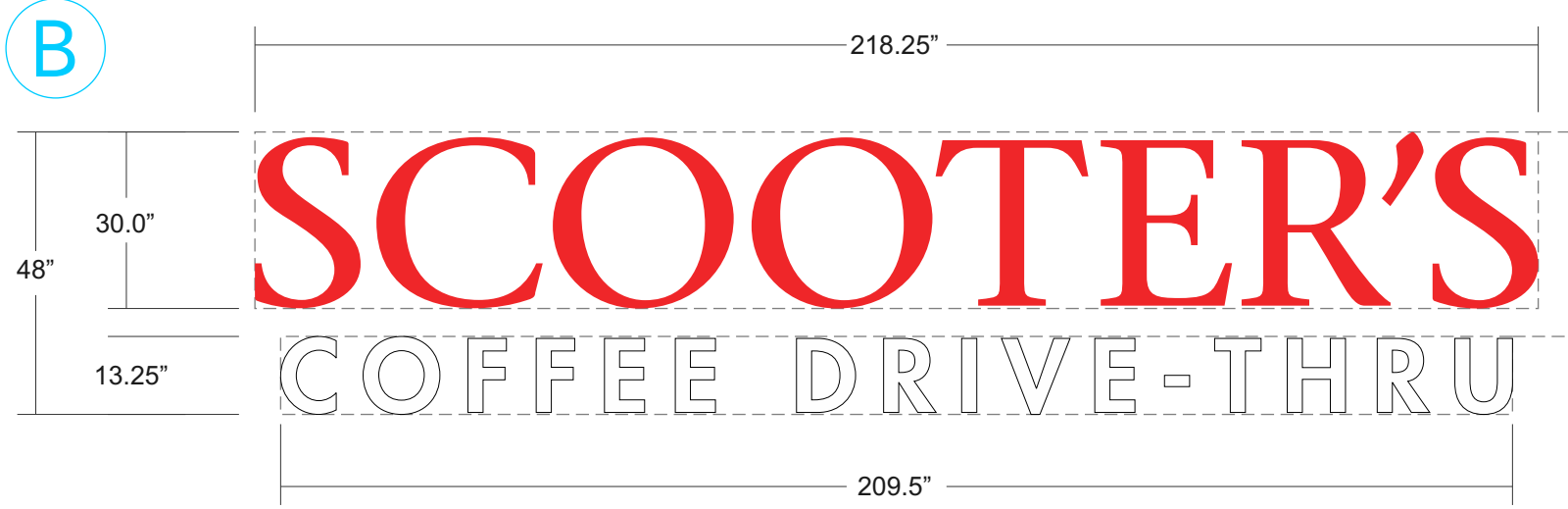
LED ILLUMINATED CABINET	
FACE MATERIAL:	3/16" WHITE ACRYLIC
CABINET DEPTH:	5" RETURNS
RETAINER INFO:	1" BLACK TRIM CAP
ILLUMINATION:	S/F LED INT. ILLUM.
MOUNTING:	FLUSH MOUNTED
CABINET MATERIAL:	ALUM. PAINTED BLACK
KEYLINE:	1.5" WHITE

Total Sq. Ft. 28.54



DETAIL VIEW - CHANNEL LETTERS | CHAN48

Quantity: 2 SETS



Total Sq. Ft. 65.06

"TOP" FRONT-LIT CHANNEL LETTERS

FACE MATERIAL:	3/16" WHITE ACRYLIC
RETURN COLOR:	BLACK
TRIMCAP COLOR:	1" BLACK
ILLUMINATION:	LED RED INT. ILLUM.
MOUNTING:	REMOTE RACEWAY
DEPTH:	3"

45.68 SqFt

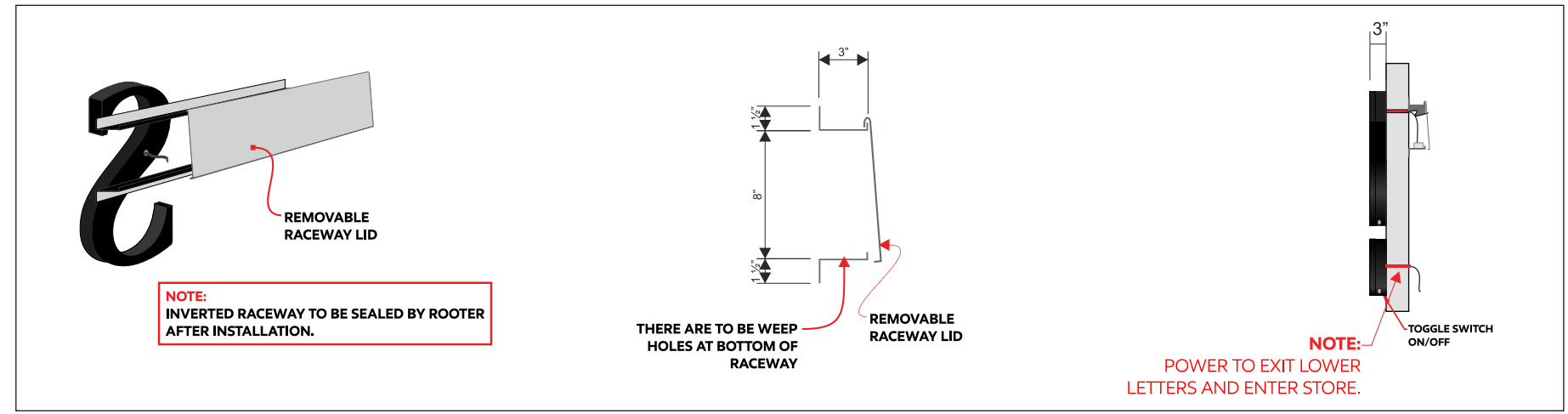
"BOTTOM" FRONT-LIT CHANNEL LETTERS

FACE MATERIAL:	3/16" WHITE ACRYLIC
RETURN COLOR:	BLACK
TRIMCAP COLOR:	1" BLACK
ILLUMINATION:	LED WHITE INT. ILLUM.
MOUNTING:	FLUSH MOUNTED
DEPTH:	3"

19.38 SqFt



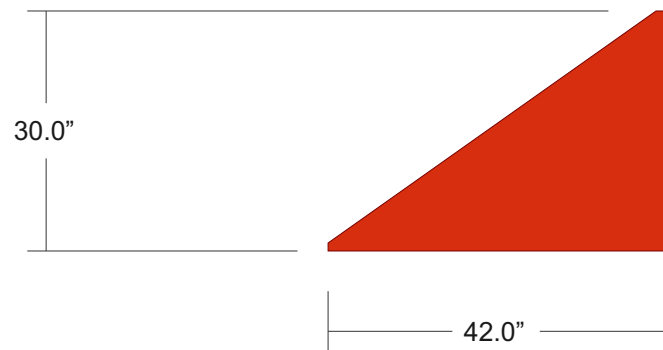
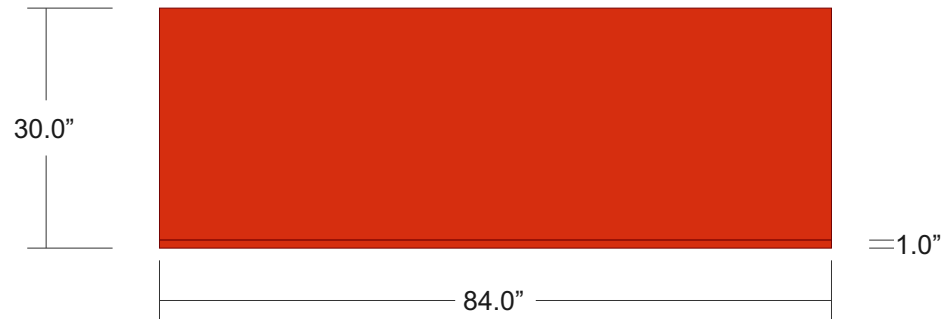
NOTE: "COFFEE DRIVE-THRU" WILL BE WIRED INSIDE DROP CEILING.



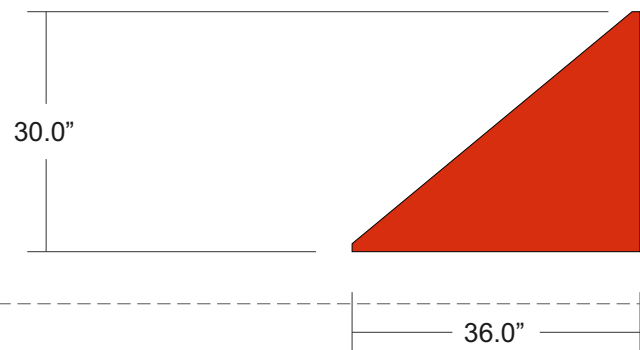
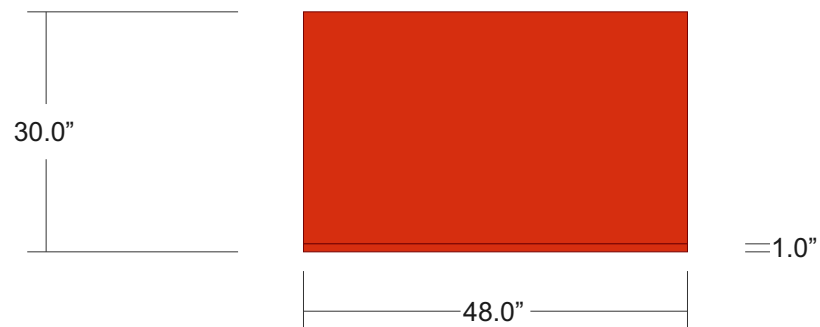
DETAIL VIEW - AWNINGS

AWNING4

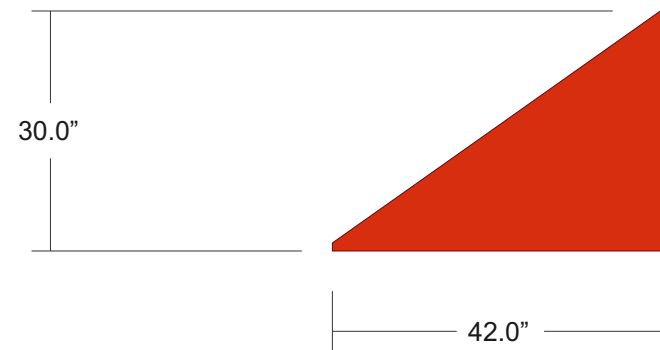
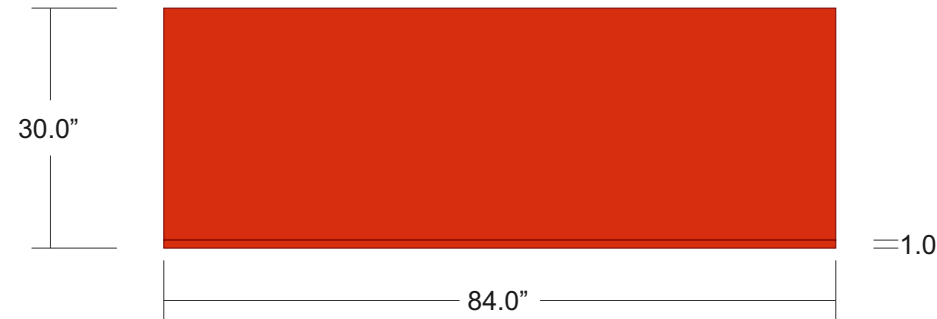
DRIVE-THRU SET: Quantity: 1



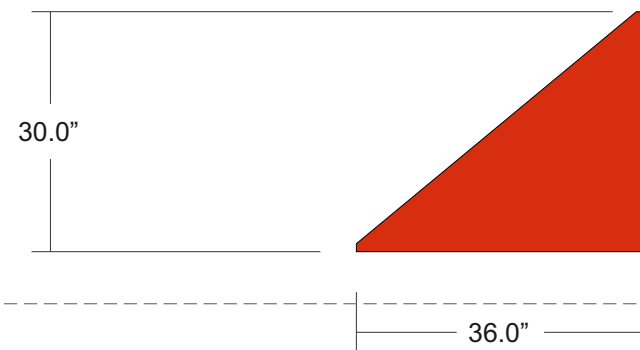
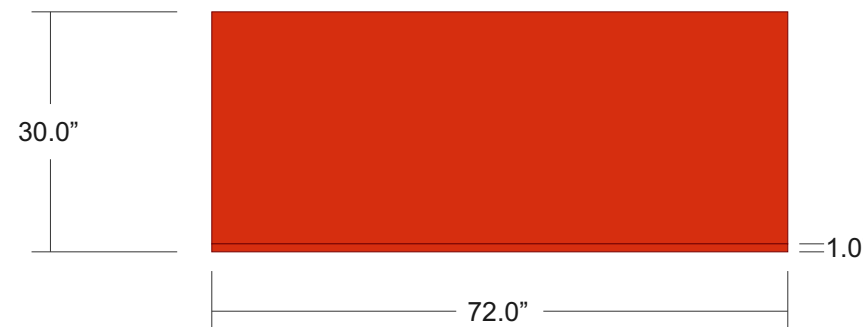
REAR SET: Quantity: 1



SIDE SET: Quantity: 1



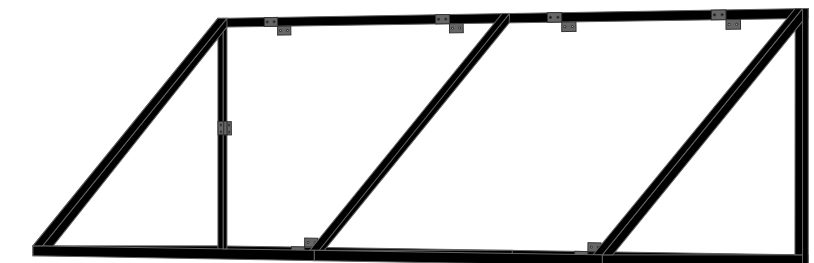
FRONT SET: Quantity: 1



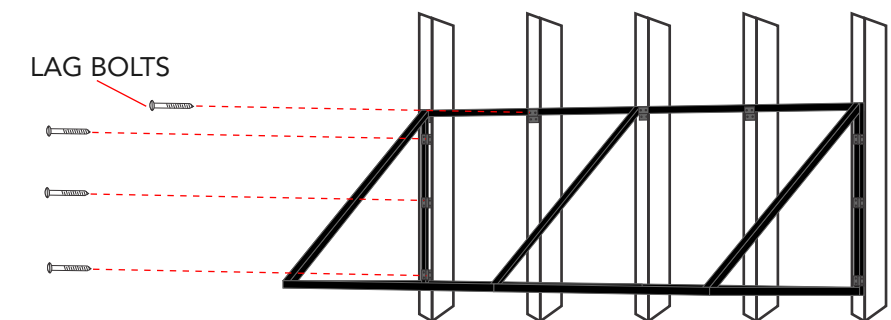
AWNING DISPLAY

FRAME MATERIAL:	1"X1" ALUMINUM SQUARE TUBE
FRAME COLOR:	BLACK
MATERIAL:	LOGO RED SUNBRELLA #6066-0000
MOUNTING:	PANEL MOUNTED TO FASCIA

FRAME



ATTACHMENT DETAIL



NOTE: AWNING FRAMES MOUNTED TO WALL WITH LAG BOLTS AND SIGN TECH "Z" CLIPS. NUMBER OF PENETRATIONS DEPENDENT ON STUD PLACEMENT.

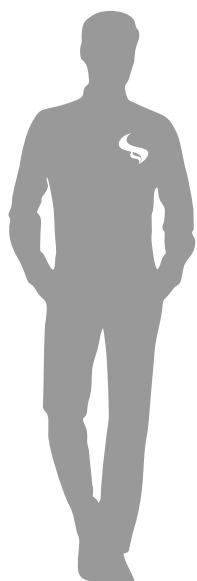
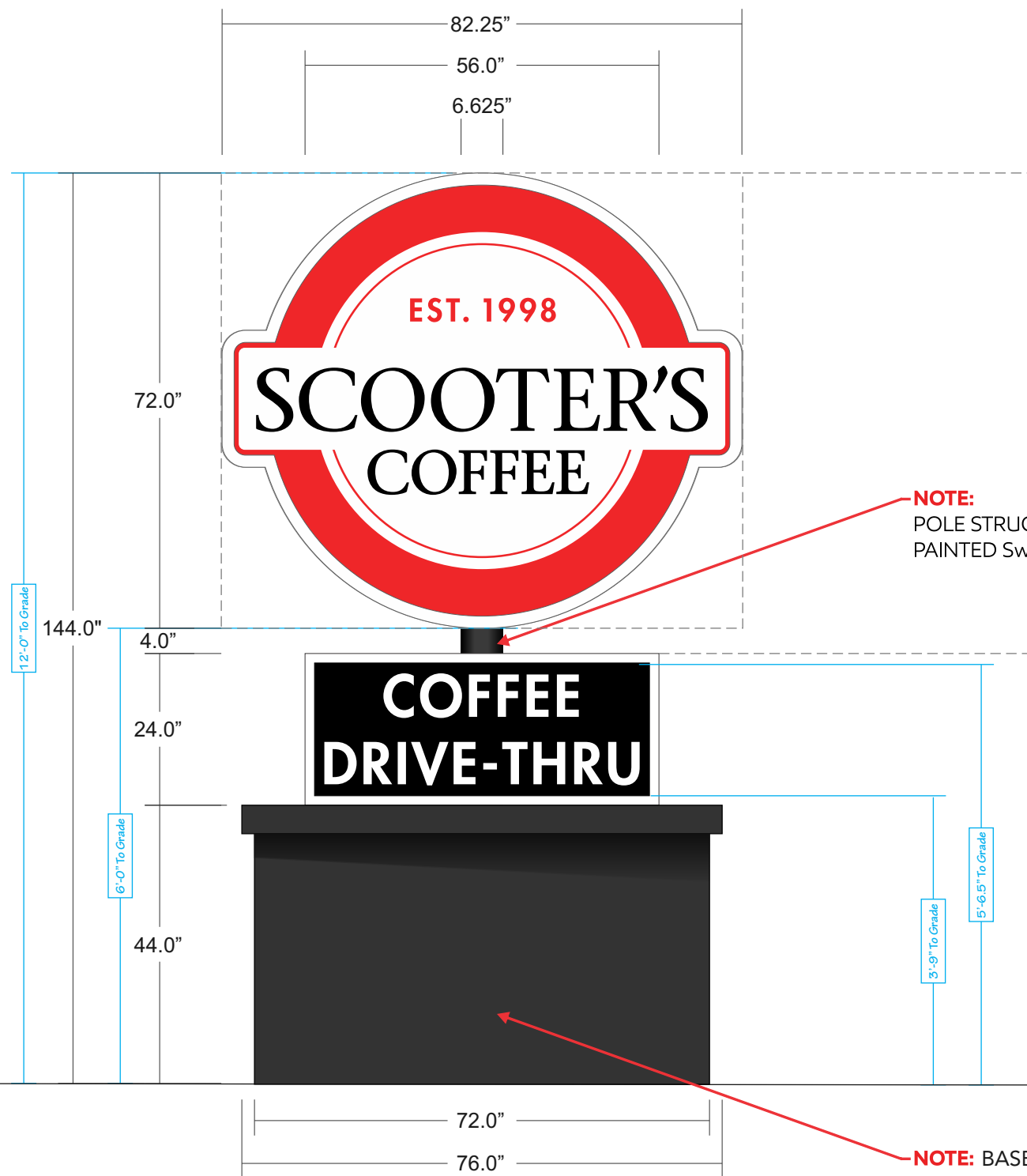
3M Lt. Tomato Red Translucent Film (3630-43)

3M Black Opaque Film (7725-12)

DETAIL VIEW - D/F MONUMENT

MON72

Quantity: 1



MONUMENT - LED ILLUMINATED CABINET

FACE MATERIAL:	3/16" WHITE ACRYLIC
CABINET DEPTH:	18"
RETAINER INFO:	2" WHITE
ILLUMINATION:	D/F LED INT. ILLUM.
MOUNTING:	POLE MOUNTED
CABINET MATERIAL:	ALUMINUM

41.1 SqFt

NOTE: POLE STRUCTURE TO BE PAINTED Sw6992 INKWELL

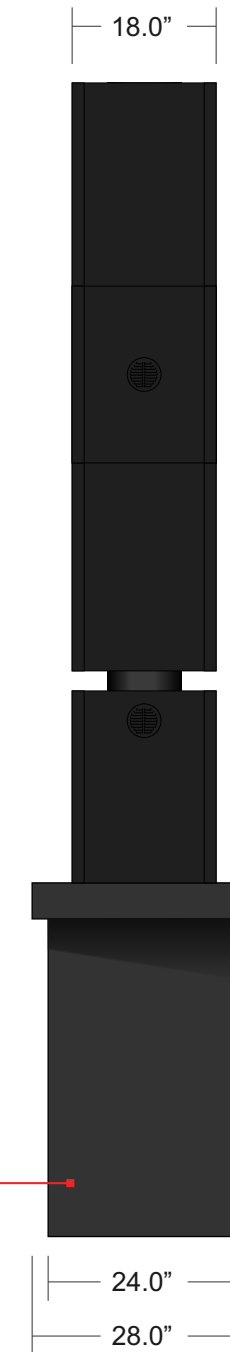
MONUMENT - LED ILLUMINATED CABINET

FACE MATERIAL:	3/16" WHITE ACRYLIC
CABINET DEPTH:	18"
RETAINER INFO:	1.5" WHITE
ILLUMINATION:	D/F LED INT. ILLUM.
MOUNTING:	POLE MOUNTED
CABINET MATERIAL:	ALUMINUM

9.3 SqFt

Total Sq. Ft. 50.4

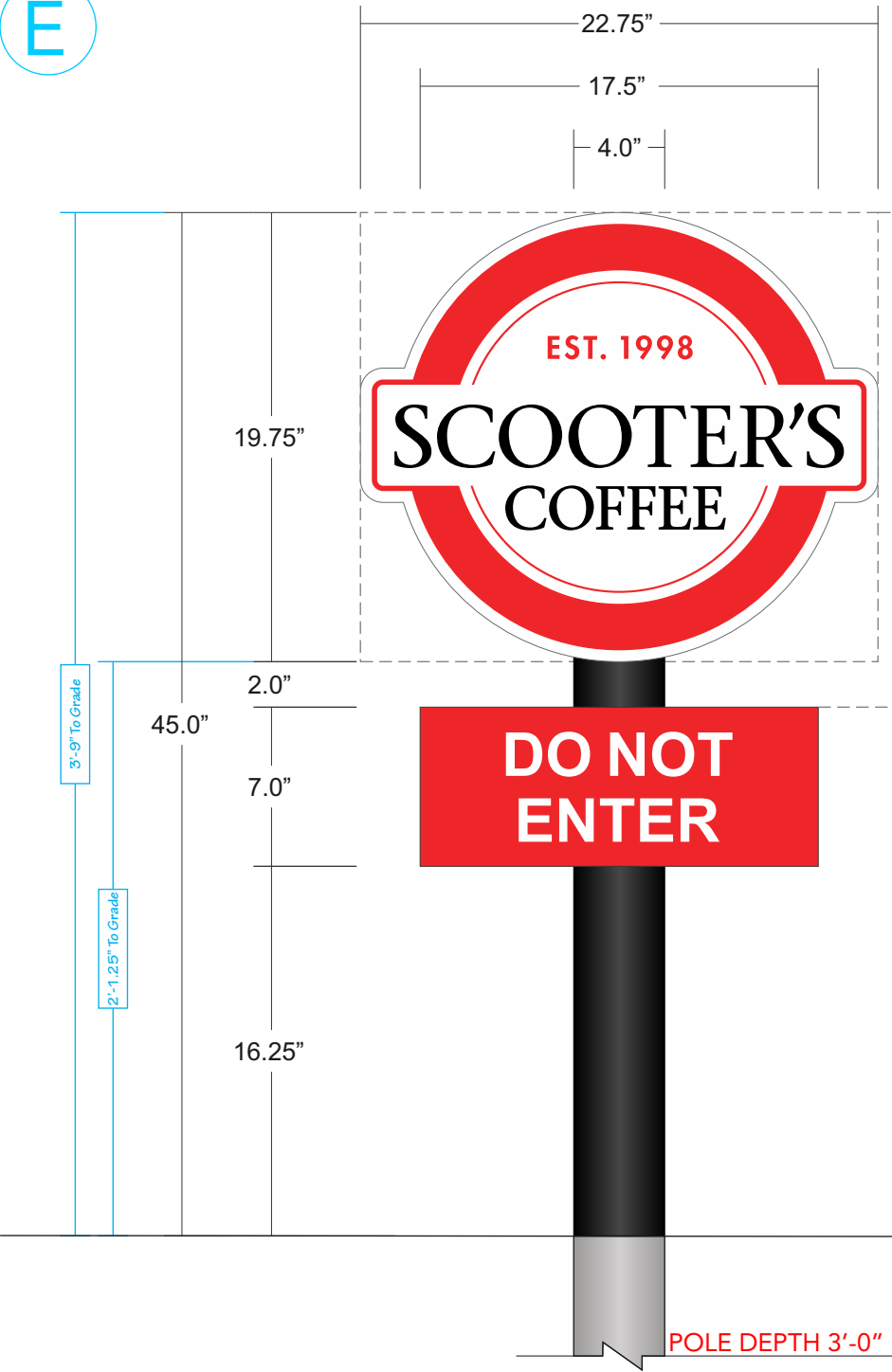
NOTE: BASE MADE BY OTHERS



DETAIL VIEW - D/F DIRECTIONAL

Quantity: 1

E



DIRECTIONAL - LED ILLUMINATED CABINET	
FACE MATERIAL:	3/16" WHITE ACRYLIC
CABINET DEPTH:	1'-0"
RETAINER INFO:	1" BLACK TRIMCAP
ILLUMINATION:	D/F LED INT. ILLUM.
MOUNTING:	POLE MOUNTED
CABINET MATERIAL:	ALUMINUM
KEYLINE:	0.5" WHITE

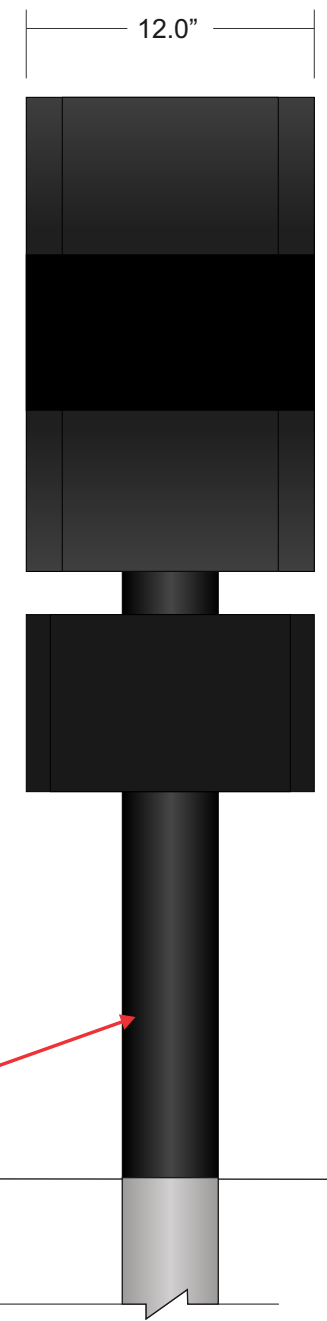
3.1 SqFt

DIRECTIONAL - LED ILLUMINATED CABINET	
FACE MATERIAL:	3/16" WHITE ACRYLIC
CABINET DEPTH:	1'-0"
RETAINER INFO:	1" BLACK TRIMCAP
ILLUMINATION:	D/F LED INT. ILLUM.
MOUNTING:	POLE MOUNTED
CABINET MATERIAL:	ALUMINUM

0.9 SqFt

Total Sq. Ft. 4

NOTE: POLE STRUCTURE TO BE PAINTED Sw6992 INKWELL



SIDE A



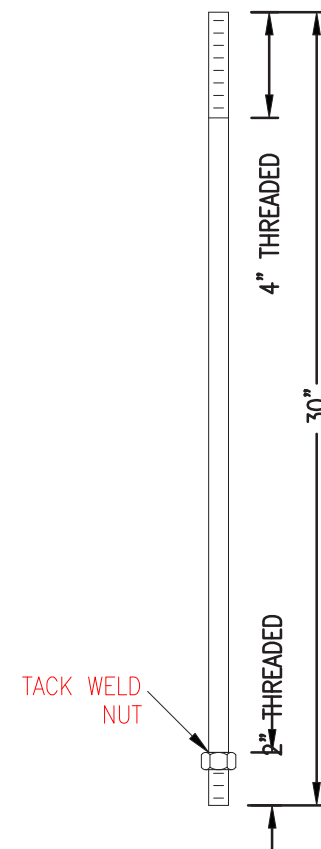
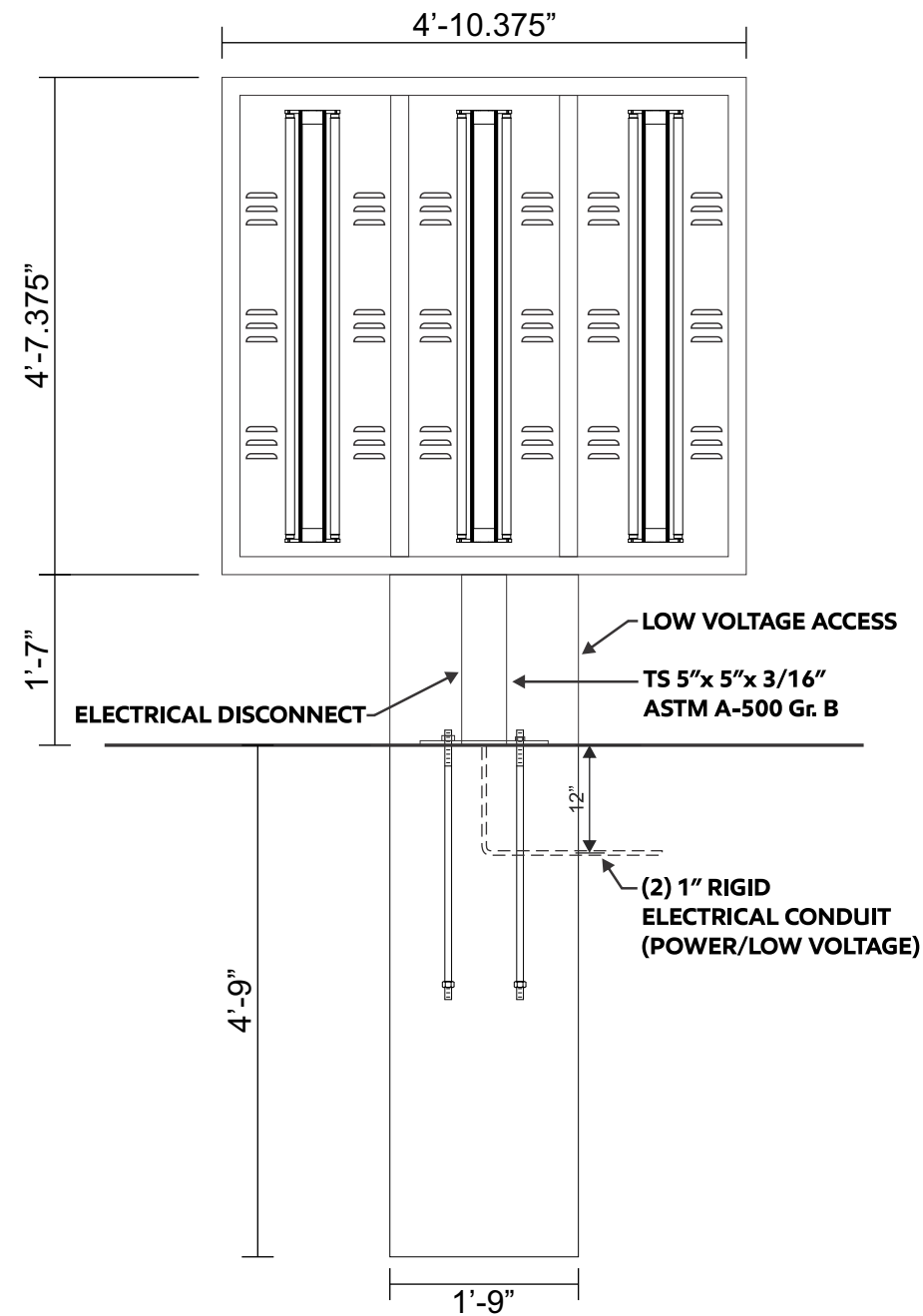
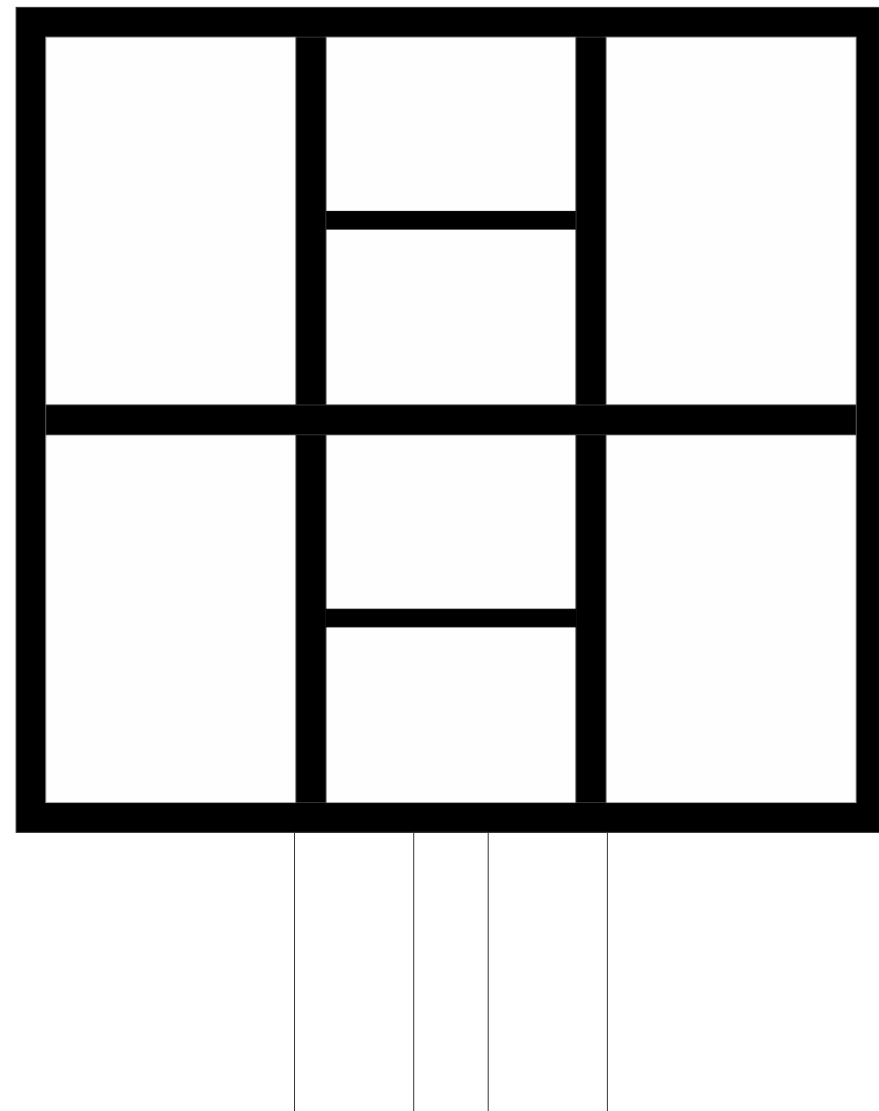
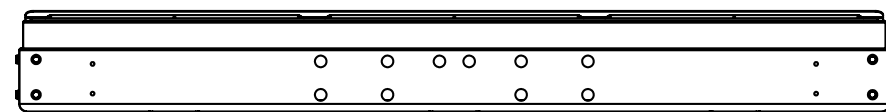
SIDE B

DETAIL VIEW - MENU BOARD DISPLAY

ILLUMINATED DRIVE-THRU SYSTEM:

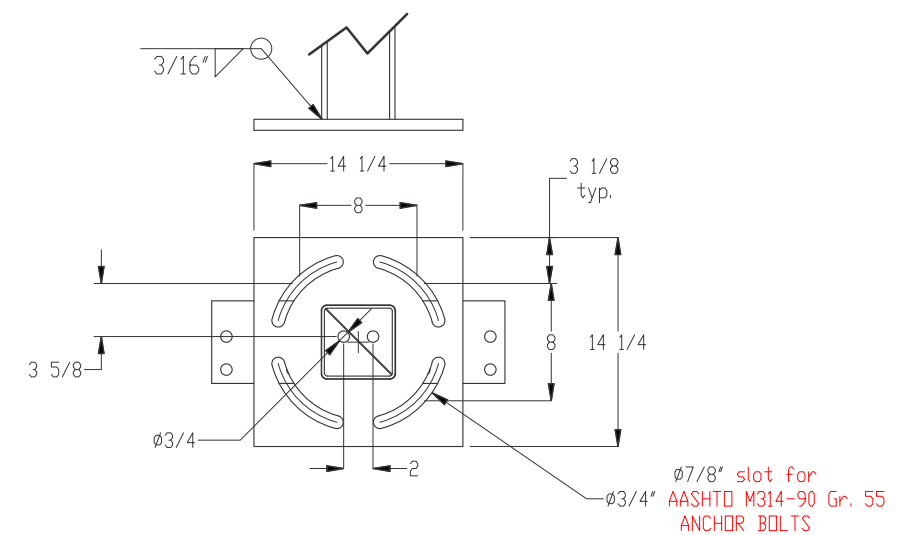
- LED LIGHTING
- MOUNTED TO EXISTING PIPE AND FOOTING AS SHOWN
- GRAPHICS ARE CHANGEABLE

Installation Only



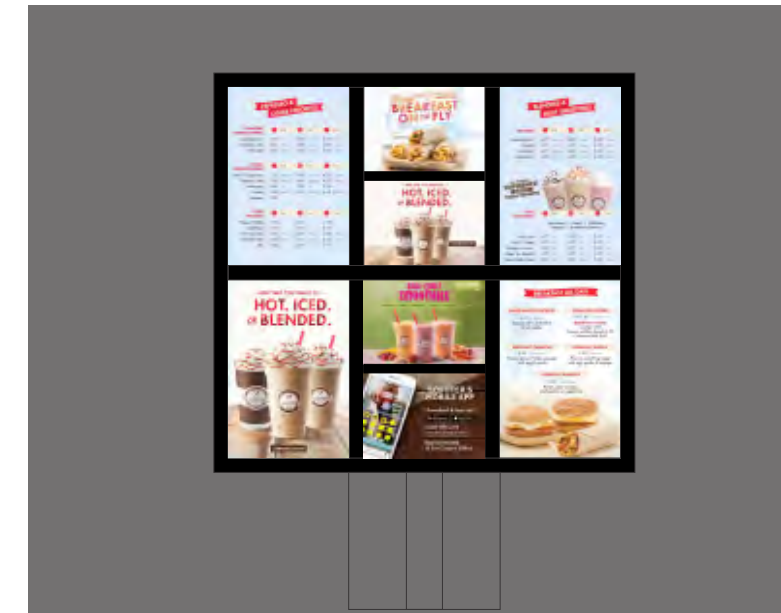
ANCHOR BOLT DETAIL

ø3/4" AASHTO M314-90 Gr. 2 STEEL
CAN USE EITHER STYLE ANCHOR BOLT



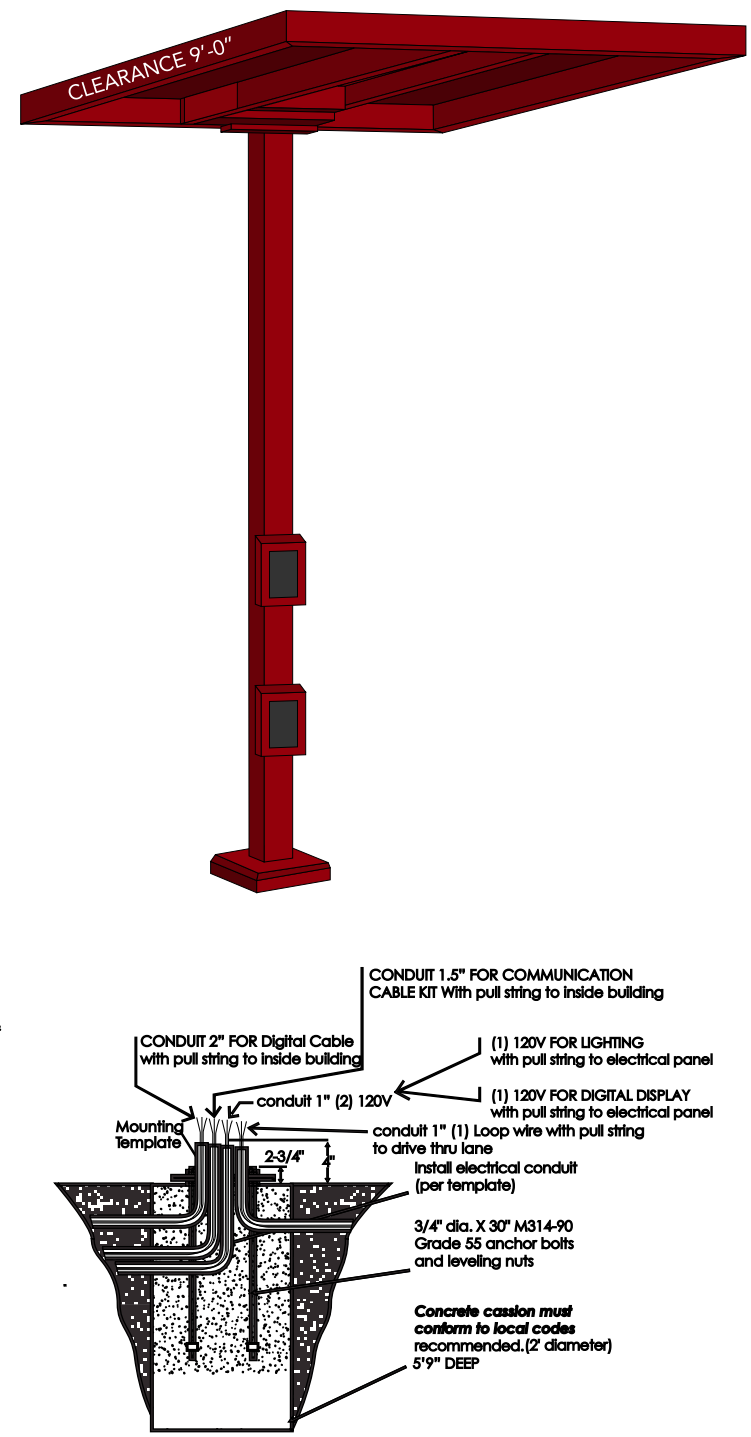
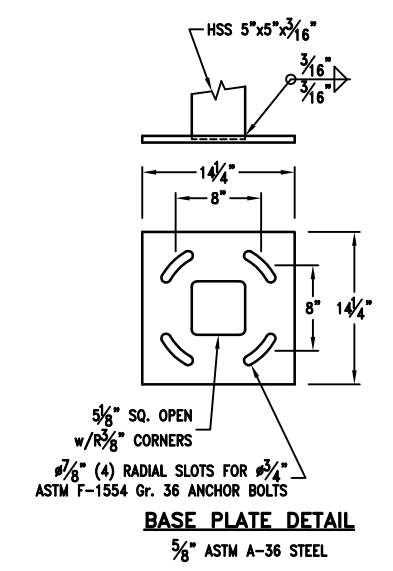
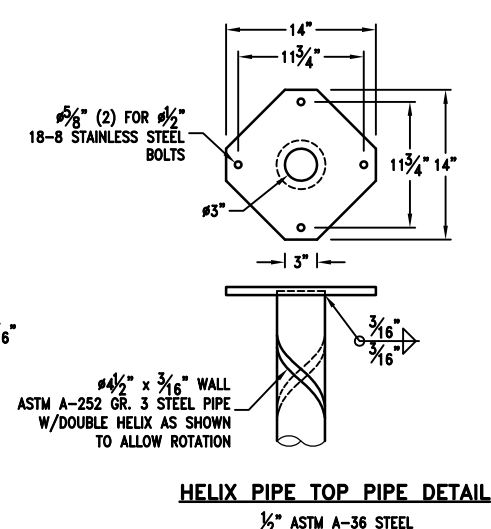
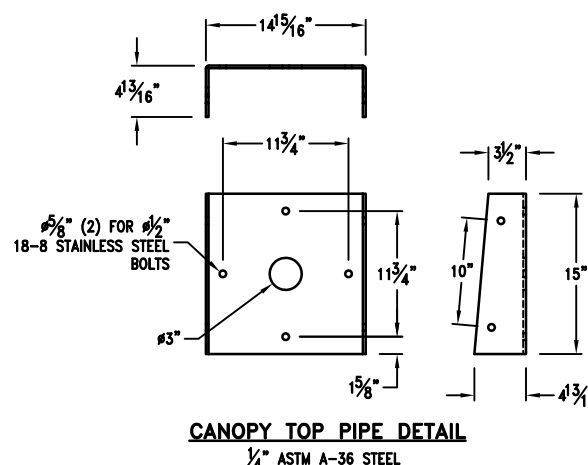
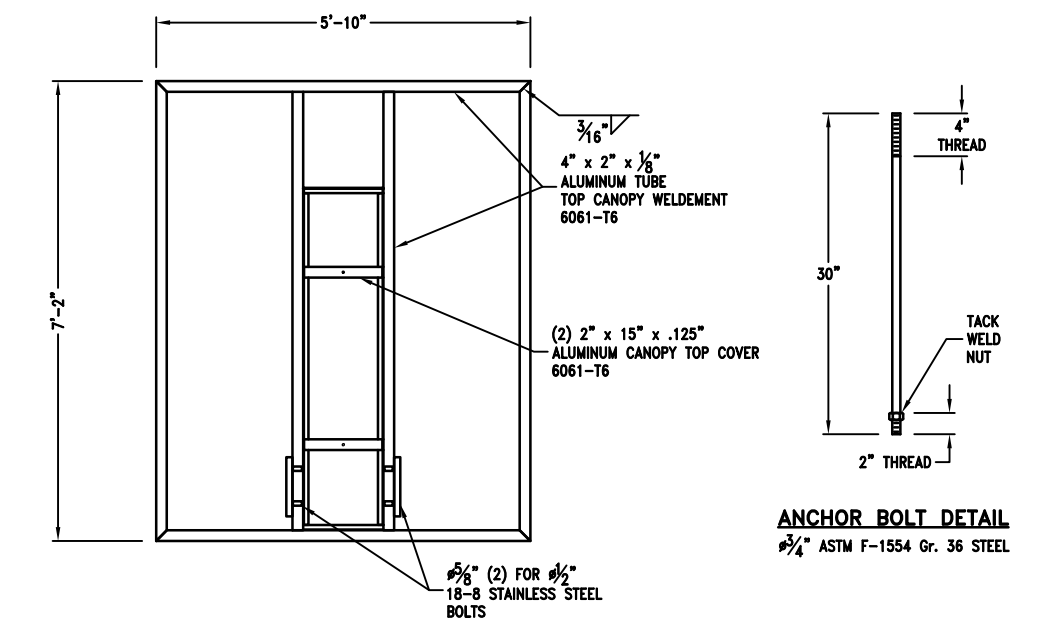
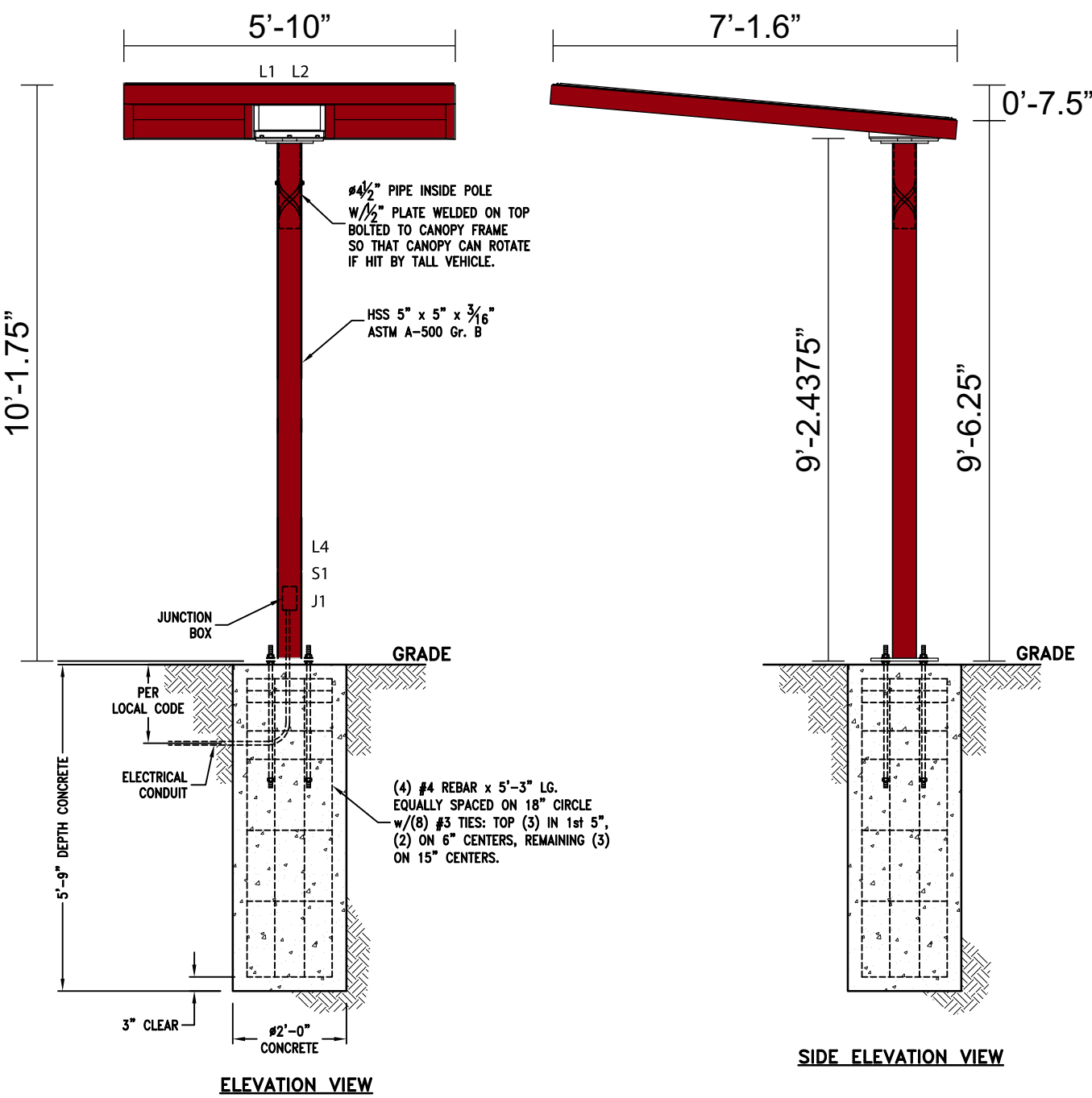
BASE PLATE DETAIL

3/4" ASTM A-36 STEEL



DETAIL VIEW - CLEARANCE BAR & MENU CANOPY

Installation Only



LED INTERNALLY ILLUMINATED CHANNEL LETTER/CABINET

Quantity: 1



CHANNEL LETTER/CABINET: ATTACHMENT METHOD

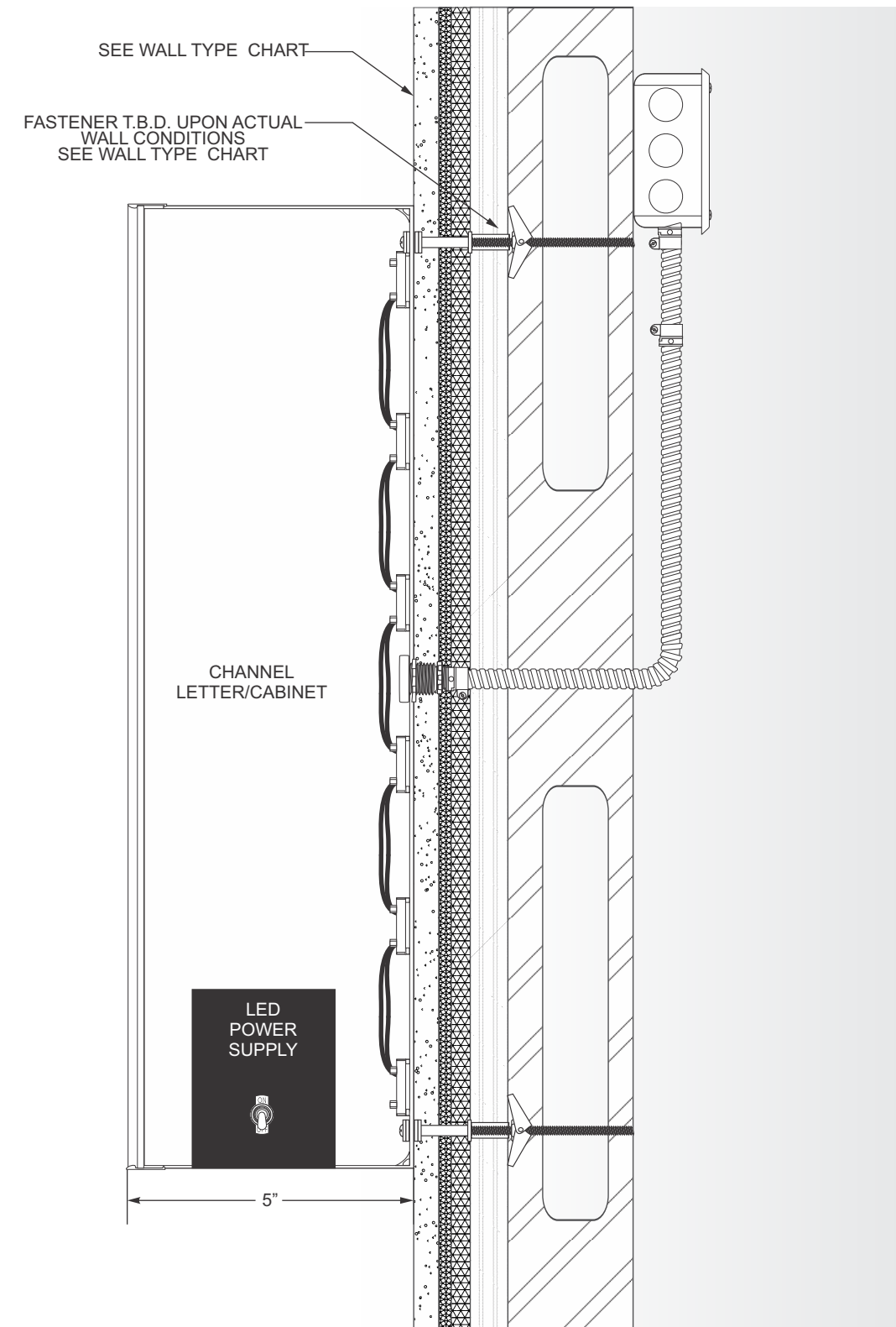


FASTENER SCHEDULE:
QTY-8 FASTENERS (SEE WALL TYPE CHART)
TYPICAL 8 PLACES

WEIGHT CALCULATIONS
28.54 SF x 5.0 lbs =
142.7 lbs

SQUARE FOOTAGE CALCULATIONS
5'-0" x 5'-8.5" =
28.54 SF

WALL TYPE	INSTALLS ON EIFS, WOOD, OR METAL FACADE
DETAIL SECTION	
FASTENER TYPE	APPROX. 3/8" X 5" TOGGLE BOLT

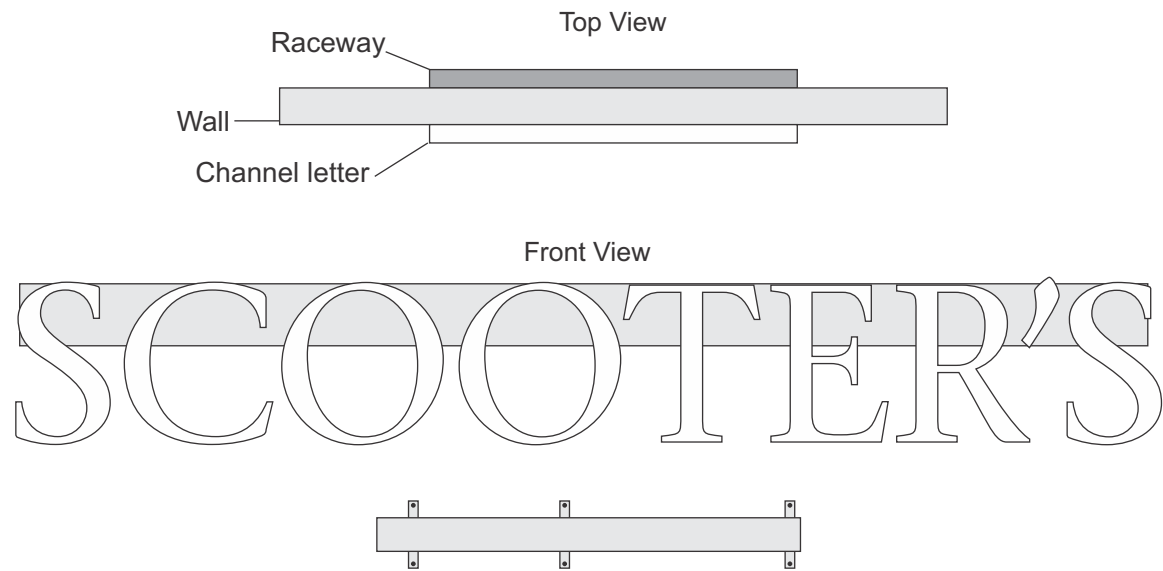


LED INTERNALLY ILLUMINATED CHANNEL LETTER/CABINET - RACEWAY MOUNT

Quantity: 2

B

RACEWAY MOUNT CHANNEL LETTER/CABINET: ATTACHMENT METHOD

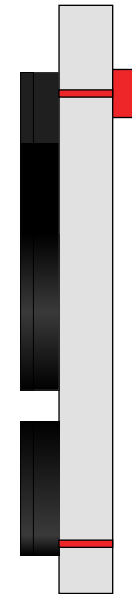


FASTENER SCHEDULE:

QTY-3 STRAPS WITH 2-EA FASTENERS (SEE WALL TYPE CHART)
TYPICAL 3 PLACES
MINIMUM (1) STRAP PER 8' SECTION

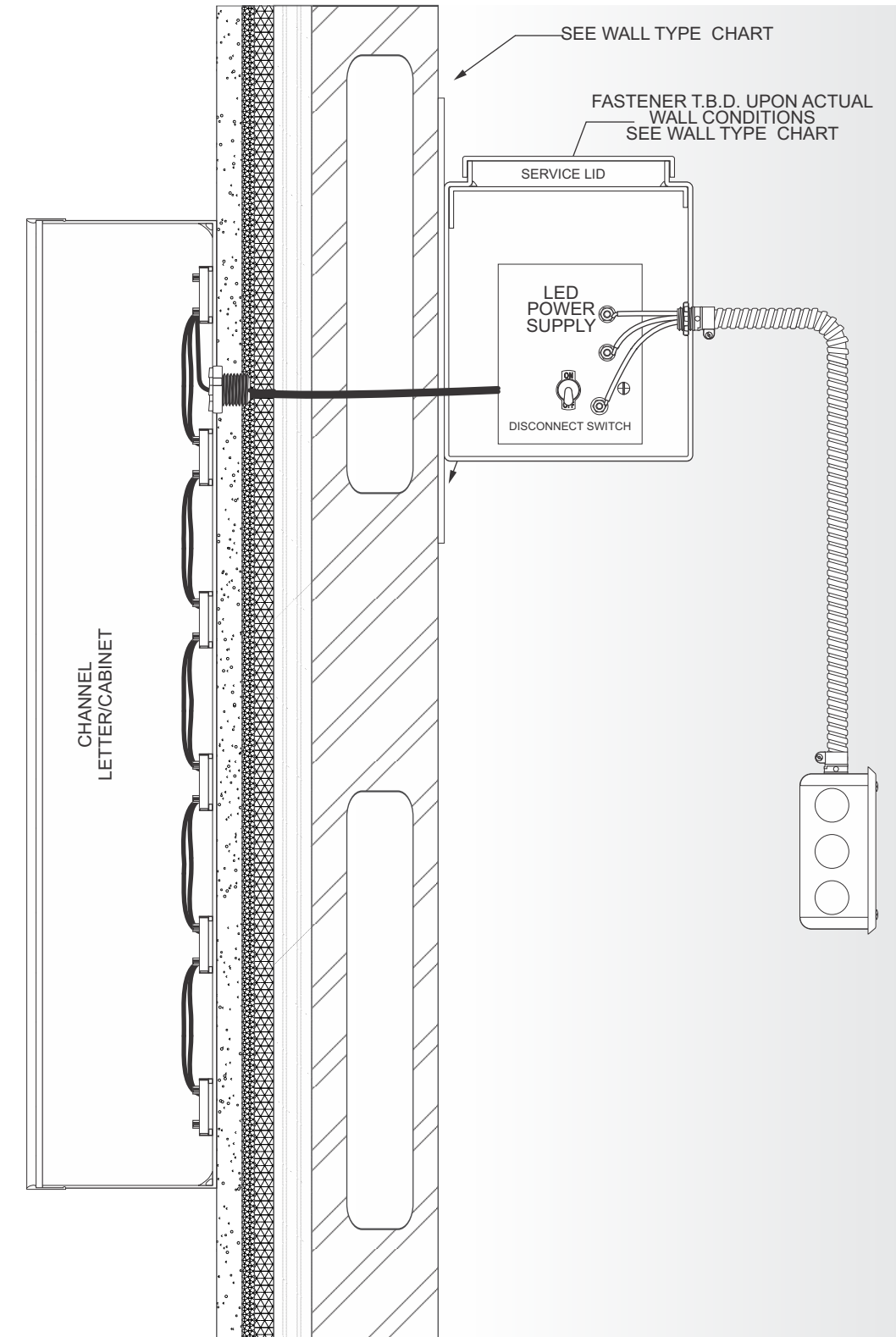
FASTENERS T.B.D. UPON ACTUAL WALL CONDITIONS

WALL TYPE	INSTALLS ON EIFS, WOOD, OR METAL FACADE
DETAIL SECTION	
FASTENER TYPE	APPROX. 3/8" X 5" TOGGLE BOLT



WEIGHT CALCULATIONS
 $45.68 \text{ SF} \times 2.22 \text{ lbs} = 101.41 \text{ lbs}$

SQUARE FOOTAGE CALCULATIONS
 $2'-6" \times 18'-3.25" = 46.68 \text{ SF}$



LED INTERNALLY ILLUMINATED CHANNEL LETTER/CABINET

Quantity: 2



CHANNEL LETTER/CABINET: ATTACHMENT METHOD

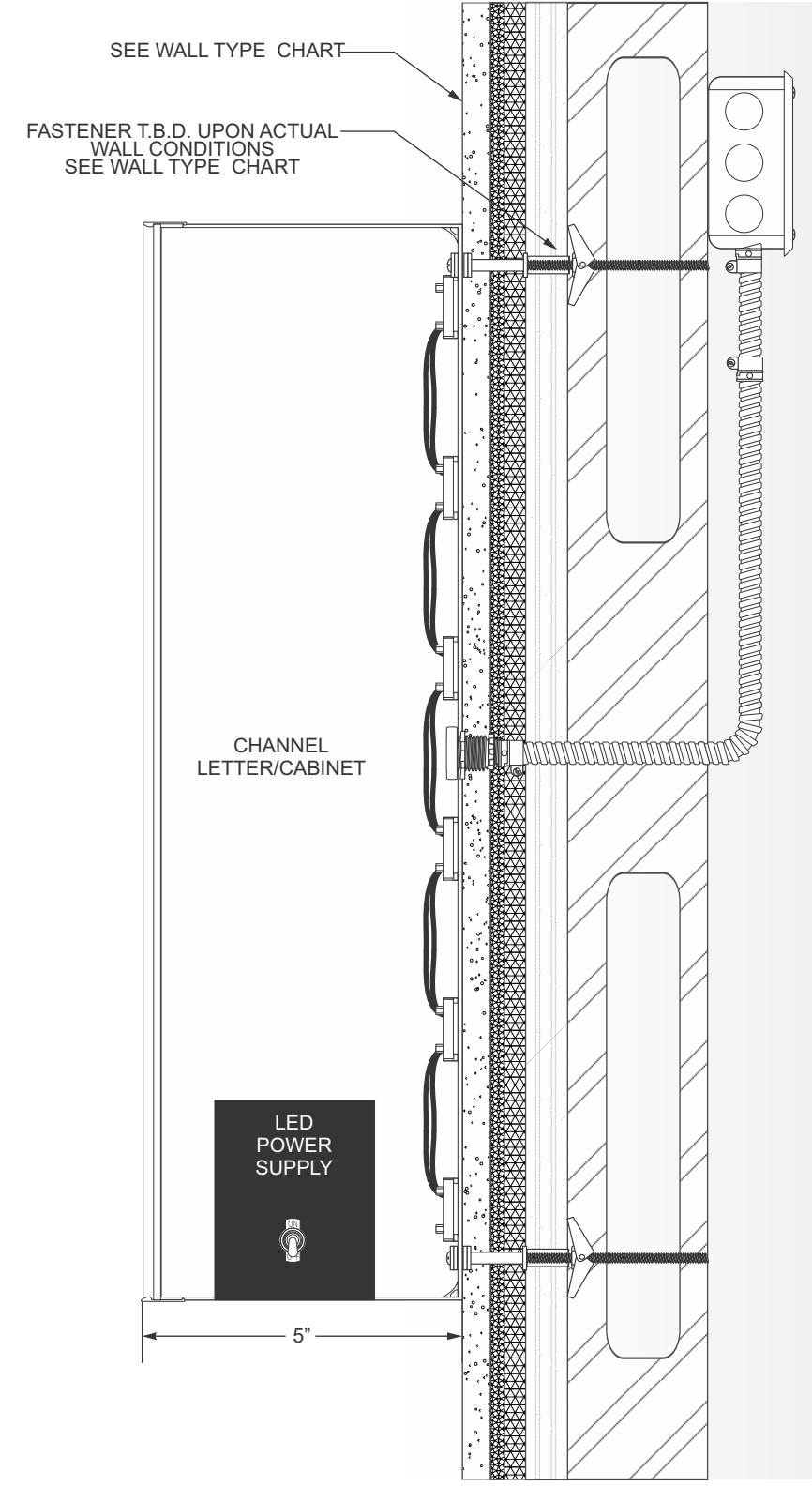
C O F F E E D R I V E - T H R U

FASTENER SCHEDULE:
QTY-38 FASTENERS (SEE WALL TYPE CHART)
TYPICAL 38 PLACES

WALL TYPE	INSTALLS ON EIFS, WOOD, OR METAL FACADE
DETAIL SECTION	
FASTENER TYPE	APPROX. 3/8" X 5" TOGGLE BOLT

WEIGHT CALCULATIONS
19.38 SF x 2.0 lbs =
38.76 lbs

SQUARE FOOTAGE CALCULATIONS
1'-1.25" x 17'-5.5" =
19.38 SF





SIGN PURCHASE AGREEMENT
 800.845.9927 springfieldsign.com

DESCRIPTION

This agreement, made and entered into this _____ day of _____ (month), 20____ (year), by and between Springfield Sign & Graphics, INC. d/b/a Springfield Sign (herein after referred to as Seller), and Buyer (as outlined below and labeled as Buyer) witnesseth, that the Seller agrees to manufacture for Buyer the sign(s) and/or other sign products/services as outlined in a separate E2 document as follows, QUOTE Number: _____ or other such unique document of description as follows:

CONTACT

BUYER:

COMPANY NAME:	D/B/A:
<input type="text"/>	<input type="text"/>
BILLING ADDRESS:	CITY: STATE:
<input type="text"/>	<input type="text"/> <input type="text"/>

JOB DETAILS:

COMPANY NAME:	D/B/A:
<input type="text"/>	<input type="text"/>
BILLING ADDRESS:	CITY: STATE:
<input type="text"/>	<input type="text"/> <input type="text"/>

FINE PRINT

All wiring on the premises to the site of the signs' installed location, including the connection of the sign to such primary wiring source is to be the responsibility of the Buyer, at additional cost to the Buyer, at the direction of the Buyer. as designed by the Buyer or Buyer's agents and, as necessary, all other aspects and expenses, as required, to bring primary electrical wiring to the sign's location for energizing of such signs. All voltages to be 120 Volt at 60 Hertz unless otherwise specified. Any damages caused by the energizing circuit to the sign or sign products due to improper design (including but not limited to improper voltages), improper connection thereof or any other causes related to the energizing primary circuitry will be solely and completely at the Buyer's risk and expense. Any additional work, trouble shooting in the field, by phone, by internet or otherwise required on behalf of Seller will be bi/Jed in addition to Buyer on a Time and Materials basis, at additional expense. All Permit fees/Engineering fees and labor/drawing costs for the acquisition thereof will be billed in addition to prices stated herein at additional expense unless specifically outlined in this document to be bi fled in another manner as described herein. Any required sales/use taxes are the responsibility of the Buyer, now and in the future as so levied by applicable governing authorities. All taxes are due and payable upon demand by Seller at or any time subsequent to the execution of this SIGN PURCHASE AGREEMENT. It is understood that taxes are in addition to the prices outlined in the SIGN PURCHASE AGREEMENT, E2 Quote or any other document outlining the signs, products or services for stated Job Location unless specifically and clearly outlined otherwise. It is expressly and undeniably understood by both Buyer (or Buyer's agents, subcontractors, salespersons, etc.) and Seller that no verbal agreement has been entered into. Both parties are to adhere to the terms and conditions of this SIGN PURCHASE AGREEMENT and related attachments as properly executed and initialed. Any governing entity outside the control of Seller, such as but not limited to, any applicable City/Municipalities, County Office/Agent, national codes (such as but not limited to NEC, BOCA, ETC.) with jurisdiction or control upon the product, labor (manufacturing or installation) or any issues, procedures or otherwise related to the execution of the terms, signs, sign products, services or otherwise, foreseen or unforeseen, may affect the costs and timely delivery of such products/services herein NOTICE: THIS IS A LEGAL DOCUMENT WITH BINDING OBLIGATIONS READ BOTH SIDES OF THIS INSTRUMENT BEFORE SIGNING, AS THE TERMS OF THIS SIGN PURCHASE AGREEMENT ARE SET OUT THEREON, The specific terms for payment may vary based on product types or other reasons, but it is expressly understood that PAYMENT IN FULL as outlined by this Agreement is due and must be paid PRIOR TO INSTALLATION OF SIGN PRODUCT, PARTS OR SERVICES. All outstanding balances over 30 days due are subject to a 2% per month (collectively compounding) Late Fee.

Buyer's Guarantee to Build _____ (initials)

Rejection of Buyer's Guarantee to Build _____ (initials)

BUYER:
I/We have read this entire agreement and agree to defend and hold harmless Seller as stated herein. ACCEPTED:

By: _____

PRINTED NAME:	TITLE:	DATE:
<input type="text"/>	<input type="text"/>	<input type="text"/>

SELLER:
ACCEPTED:

By: _____

Mark Wessell, CEO
Springfield Sign
4825 E Kearney St
Springfield, MO 65803

AGREEMENT

1. DOCUMENT ATTACHMENT As allowed by this contract, other documents such as but not limited to E2 quotes, product specifications, manufacturer's specifications, etc. may be referenced in the area in the beginning of this Sign Purchase Agreement. These documents may have additional terms, conditions, pricing, restrictions, limitations or otherwise as describe by those written instruments, such as but not limited to LED (or other types) of electronic displays.

2. LIMITED WARRANTY Seller warrants all new materials and/or services delivered herein to be at time of completion of job and time of delivery, to Buyer, to be free from defects of material and/or workmanship. Seller agrees to repair or replace, solely at Seller's discretion, any products or parts thereof, which are found defective in material or workmanship within 90 days from time of installation of sign or sign product. Seller's obligation with respect to such products or parts shall be STRICTLY LIMITED to replacement or repair and in NO event shall Seller be liable for consequential, incidental or special damages, or for transportation, installation, adjustment or any other expenses which may arise in connection with such products or parts, including but not limited to loss of business or loss of trade. THIS WARRANTY IS EXPRESSLY MADE IN LIEU OF ANY AND ALL OTHER WARRANTIES, EXPRESS OR IMPLIED, INCLUDING THE WARRANTIES OF MERCHANTABILITY AND FITNESS FOR A PARTICULAR PURPOSE. THERE ARE NO OTHER WARRANTIES. Seller's obligations hereunder shall extend only to defects for which Buyer shall have given Seller written notice thereof within ninety (90) days after date of delivery or installation, as applicable. Buyer is NOT authorized to make independent arrangements for warranty work. All warranty work on said signs, products, parts, services, as described herein, shall be arranged or subcontracted by Seller or be done by Seller's employees or representatives, solely at the discretion of the Seller. In the event that Buyer does not permit Seller to inspect product, access property or in any other way directly or indirectly inhibits the Seller to arrange for or conduct necessary repair work required under this Agreement, or Buyer makes independent arrangements for such repair work, Buyer agrees that Buyer will be solely responsible for the costs of such repairs. In the event Buyer does not comply with the above, Seller hereby EXCLUDES ALL WARRANTIES, EXPRESS AND/OR IMPLIED, AND BUYER PURCHASES THE SIGN, SIGN PRODUCT AND/OR SERVICES "AS IS" and WITH ALL FAULTS, WAIVING ALL WARRANTIES HEREUNDER. Additional limitations include but are not limited to, acts of God, acts of nature, vandalism, acts of War or Terrorism and/or accidental damages.

3. INSURANCE As long as any amount of monies is due and owing to Seller, Buyer shall insure sign, sign products or services, in an amount no less than monies due Seller, and NAME SELLER in the loss payable clause of such insurance policy, strictly for the benefit of the Seller. Buyer further agrees to not limit the insured causes allowing for fire or any other casualty. Buyer shall furnish Seller with evidence of such certification of insurance, in writing from Buyer's insurance agent or agency, upon Seller's demand. Seller's certificate of insurance for liability/workers compensation shall be provided by Seller to buyer upon request from Buyer.

4. TAXES Buyer shall be responsible for and pay all taxes including but not limited to Sales, Use, Personal Property or any other municipal, county, state or federal taxes that may be levied, imposed or assessed by law on the sign product, parts or services or improvements thereon, or uses of such. Buyer agrees to reimburse Seller for any amount for such taxes, that may be billed to and paid by Seller. Any interests or penalties associated with any taxes as outlined herein will also be due and owing to Seller if so paid by Seller. These taxes, as allowed by law, may or may not be assessed at time of initial sale or delivery of sign product, parts or services and may continue forward in time without end.

5. PERMITS/LICENSES Seller shall not be obligated to commence fabrication of sign product, parts or services until all necessary permits have been issued. If permits are denied after reasonable effort by both parties to secure same, then this Sign Purchase Agreement shall terminate without liability to either Buyer or Seller, except that Buyer shall pay Seller for reasonable compensation for labor and costs expended until the time permits are denied. Buyer shall be responsible for securing and maintaining in effect written consent from the owner of record of the premises upon which sign product, parts or services is to be installed and for all other private permissions, consents or licenses, including but not limited to, the use of registered trademarks or copyrights used on the sign product, parts or services, necessary for the manufacture, the installation, maintenance and use of such. The only exception to this will be if the **Buyer's Guarantee to Build** check box at the beginning of this Sign Purchase Agreement is checked. The terms and conditions for this, briefly being stated herein, shall GUARANTEE FULL PAYMENT TO SELLER with no guarantee to Buyer that the sign product, parts or services will be utilized to any benefit of the Buyer. Buyer will be obligated to pay the full contract price, including installation and will have to make arrangements for receipt of, off loading of and storage of sign product, parts or services with no future claims for installation, service or maintenance of such from Seller. The **Buyer's Guarantee to Build** is strictly offered to allow manufacturing of sign product, parts or services to proceed WITHOUT the proper permits obtained. If in no way obligates Seller to be adverse to the law for installation (without permits) of sign product, parts or service.

6. INSTALLATION OF SIGN PRODUCT Buyer agrees to and stipulates that Buyer has designated the location for the sign product, parts or services and subsequent installation of such and is responsible for all required materials, labor and any other associated expense, at Buyer's risk, for the necessary requirements for proper, obstruction free and/or lawful installation. Obstructions, obstacles or other encumbrances, includes but is not limited to building reinforcement, building or site alterations, all obstacles as required for successful, safe, lawful installation including but not limited to overhead (power lines, buildings, trees or other encumbrances), underground (such as utilities, easements, rocks, buried objects natural, man made or otherwise), landscaping, sidewalks, planters, asphalt, concrete or any other such improvements, construction crews other than Seller's or Seller's agents or Buyer's normal business traffic, Seller will not be responsible for any damages for such items during the normal installation process. Any return trips or delays or overtime charges incurred will be passed on to Buyer at Buyer's expense.

7. ASSIGNMENT This Agreement shall be binding and inure to the benefit of the parties hereto, their respective successors, executors, administrators, assigns and legal representatives; provided, however

that the interests of Buyer herein shall be assigned only with the expressed, written consent and approval of Seller. No transfer or assignment of this Agreement or any interest hereunder shall release Buyer from their obligations herein.

8. DEFAULT OR BREACH OF AGREEMENT The parties stipulate that the sign product, parts or services is(are) not an article of general trade or utility but is uniquely designed and is to be constructed and/or installed at the request and for the sale and special purposes of Buyer. The sign product, parts or services is of no value to Seller, and therefore, has no resale or other value to anyone other than Buyer, this Agreement is not cancelable except with expressed written permission of the Seller. Buyer shall be deemed to have breached this Agreement by insolvency, default in payment amounts or schedules as set forth herein, abandonment of the sign product, parts or services or vacating the premises where such is located, termination or transfer of Buyer's interest in the premises or business, appointment of a receiver for Buyer's business, the filing of a voluntary or involuntary petition of bankruptcy with respect to Buyer, or any act or omission of Buyer in contravention to this Agreement. In addition to Buyer's other obligations hereunder, in the event Seller shall institute any action or lawsuit for the enforcement of the obligations of Buyer herein, Buyer shall pay and indemnify Seller for all costs of court, reasonable attorney's fees expended, interest expenses of 2% per month or as allowed by law whichever is more, collection fees, administration fees, and, pay Seller all amounts awarded by the court as a result of such proceedings. Buyer's breach of any provision in any other Sign Purchase Agreement or other instruments as put forth by Seller or Confirmation of Order with Seller shall also be deemed to be a breach hereunder, and Seller may suspend its performance and delivery under this and all other agreements with Buyer until Buyer provides Seller with adequate assurance of performance within a reasonable time, not exceeding ten (10) days, after Seller has informed Buyer orally or in writing, of its grounds for insecurity.

9. COPYRIGHTS, TITLE & CONVEYANCE OF OWNERSHIP Seller specifically retains ownership and/or title of sign product, parts or services until Buyer has performed and fulfilled all terms and conditions required by Seller, herein, or as otherwise allowed by law to Seller's benefit. Buyer also, conveys to Seller the absolute right to access property to remove sign product or parts from said property, should any default arise on Buyer's behalf, and, to pay for all necessary costs for removal and possible subsequent re-installation of said product at expense in addition to that outlined herein, solely at Buyer's risk and expense. Buyer agrees and will defend same that Seller shall at all times have title to all original drawings, designs and specifications relating to the work hereunder, which were developed or created by or on behalf of Seller, and Seller hereby claims copyrights, where applicable, of all such drawings, designs and specifications. Payment of all or part of any amounts hereunder does not pass title to the "original drawings, designs, specifications" of said sign product, parts or services, although the same may be reproduced with the expressed written consent of Seller. Buyer shall, upon request of Seller, promptly return all such drawings, designs and specifications, and copies thereof, to Seller during all times which Buyer owes Seller any amounts hereunder. Buyer agrees that Seller has specific legal rights in the form of Copyrights or other instruments given by law to Protect and does hereby declare Seller's ownership of all drawings artwork and the like during and after the terms of the Agreement herein.

10. MANUFACTURING SPECIFICATIONS/INDUSTRY STANDARDS Buyer understands and agrees to allow Seller, solely at Seller's discretion to make modifications for and conforming to Seller's standard manufacturing practices. It is also understood by Buyer, that no color, shape, dimension or any other specific feature of said sign product, parts or services is guaranteed absolute. As practical examples absolute color matches or dimensions are not guaranteed and will be allowed reasonable differences within industry standards. Buyer agrees that Seller may mark and label sign for legal, national code, electrical, manufacturing, advertising or other requirements and purposes as is reasonably necessary to conduct day-to-day business as allowed or required in the industry and for Seller's own satisfaction and benefit.

12. SUBJECT TO PRIOR SALE Used sign products, new or used products offered for resale from other manufacturers, such as but not limited to electronic displays may be subject to prior sale affecting price and or delivery times to Buyer. Seller will not be responsible for any consequences related to such issues. This includes promotional or sales or any other type of proposal made to customer. Seller has no authority or control over other manufacturers and Seller employ's numerous sales agents all of whom may be promoting the same sale item, thus depleting any available inventory.

13. CHANGE ORDERS Any alteration, deviation and/or reasonably significant variance from the scope of work, construction or labor or otherwise from the sign(s) or products or services as outlined herein, including all extra costs, hereafter called Change Order, will be executed only upon written orders and may become an additional charge over and above the price stated herein. Any such Change Order requested by Buyer must be agreed to by Seller, in writing and solely at the discretion of the Seller. It is understood that any Change Order could necessitate the need for a price increase, an extension in the time required to complete the work outlined herein or any other reasonable and necessary charges, terms, conditions, equipment or the like as so required to execute the Change Order.

14. SUSPENSION OF MANUFACTURING Any request or event or otherwise required by Buyer to delay, suspend, cancel or otherwise impede the manufacture, delivery and/or installation of said sign product, parts or services, for any reason or occurrence out of the control of Seller, then Buyer shall immediately pay the full purchase price or any amount remaining and due to Seller. Furthermore, upon such request, Buyer shall be solely responsible for storage charges and any increases in labor and/or material costs incurred by Seller in the manufacturing process. Buyer's failure to comply with this provision will be deemed and construed as an anticipatory breach of this Agreement. In the event Buyer complies with the foregoing, Seller will complete the manufacturing, delivery and/or installation within a reasonable period of time upon reasonable request of Buyer.

15. SECURITY INTEREST Buyer grants Seller a SECURITY INTEREST in the sign product, parts and/or services until all obligations to Seller, hereunder are fully paid. Seller may file and record this Agreement as a financing statement under Chapter 400 of the Missouri Uniform

Commercial Code Section 400.9-521, in addition to any other permitted standard or nonstandard forms. If Buyer shall fail to pay as agreed to herein, Seller (or Seller's agents or representatives) shall have the right, and will be defended by Buyer, and is hereby authorized and empowered to take and resume possession of and remove into Seller's possession, with or without process of law, the sign product, parts or services and all other property described herein, wherever found, and remove and sell the same at either public or private sale, or by any other viable method, as deemed solely by Seller, at such time and place as Seller shall choose, and as allowed by law. Seller shall apply the proceeds of such sale as a credit upon the obligations of Buyer hereunder. In such event, Seller is entitled to recover all expenses of sale, including any reasonable attorney's fees necessary in handling the matter, without prejudice to Seller to the further enforcement of any balance of such obligation due Seller by Buyer, or expenses remaining due from such sale. In the event the proceeds of such sale exceed the balance of Buyer' obligation to Seller and the expenses of such sale, Seller shall forward any such excess to Buyer. Buyer shall not use said sign products as to lessen the value of Seller's SECURITY INTEREST or impair the operation of said sign product, and in the event the sign product is damaged through the intentional acts or willful negligence of Buyer, Buyer's customers, its agents or employees, contractors or third parties, or by wind, hail, earthquake, fire, war, tornado, hurricane, flood, labor dispute, vandalism, acts of God or acts of nature, Buyer agrees to pay for the necessary expenses to restore said sign product, part or services in operable condition. After delivery and/or installation, whichever is contracted for, in the event the sign product is lost, stolen, destroyed, or otherwise impaired, Buyer shall remain liable to Seller for all amounts hereunder, UNTIL BUYER'S OBLIGATIONS TO SELLER ARE FULLY SATISFIED HEREUNDER, THE PROPERTY DESCRIBED HEREIN WILL REMAIN PERSONAL PROPERTY OF SELLER WHETHER THE SAME IS ATTACHED IN ANY MANNER TO THE REALTY OR NOT. SAID PROPERTY SHALL NOT, BY REASON OF ATTACHMENT OR CONNECTION TO THE REALTY, BECOME OR BE DEEMED A FIXTURE OR APPURTENANT TO SUCH REALTY. No transfer, renewal, extension, or assignment of the Agreement or of any interest hereunder, and no loss, damage or destruction shall release Buyer or any Guarantor from the obligations assumed hereunder. During all times in which Buyer is obligated for any amounts to Seller hereunder, Buyer shall keep said property free from all tax liens and other encumbrances, and any sum of money that may be paid by Seller to release any such liens or encumbrances shall be paid on demand by Buyer in addition to the obligations secured hereunder.

16. WAIVER OF CONSUMER RIGHTS

17. DELIVERY AND PERFORMANCE Seller shall not be held responsible for, and the period of time required for completion of any project or maintenance or repairs, shall be tolled during any time when Seller is delayed or prevented from completing the obligations hereunder because of strikes, equipment breakage, fire, war, terrorism, labor disputes, commercial delays, acts of God/nature, regulations or restrictions of any government entity or public authority, or any accidents or forces, conditions, or circumstances beyond Seller's control, and Seller shall not be liable for any loss whatsoever suffered by Buyer, directly or indirectly, as a result of any such events or occurrences. Buyer agrees to examine and inspect all installations, repairs, and maintenance, and within ten (10) days, notify Seller in writing of any complaints about work performed under this Agreement. The failure of Buyer to give such written notice shall constitute acceptance of the work performed. The provisions of the paragraph shall not be limited by any provision in which time is made of the essence. Notwithstanding anything in this Agreement to the contrary, if at any time prior to completion of this Agreement Seller's prospects for payment are, in Seller's sole discretion, impaired, Seller may require payment in advance before permitting delivery or any installation or services hereunder, and may demand Buyer's immediate performance of Buyer's obligations hereunder. If requested by Seller, Buyer shall furnish evidence, satisfactory to Seller, prior to commencement of Seller's work hereunder or at any time thereafter, that sufficient funds are available and committed to pay the full amount owing by Buyer under this Agreement.

18. STATE OF JURISDICTION/SEVERABILITY/MISCELLANEOUS All representatives of Seller are stipulated and specified in this Agreement. No modifications hereof shall be valid unless made in writing AND agreed to, AND signed by both Seller and Buyer. No waiver by either party hereto shall be a waiver of any subsequent breach of or failure to perform the same or any other term, condition, or obligation hereof. It is agreed by both parties hereto that venue of any action arising under the Agreement shall be in Greene County, Missouri and the laws of the State of Missouri shall govern this Agreement. Should any part of this Agreement contravene public policy or laws of the jurisdiction in which it is sought to enforce the same, then such part shall be considered null and void and have no force and effect, and the balance of the terms and conditions of this Agreement shall remain valid and in full force and effect. Buyer expressly grants Seller the right to use photographs, drawings or other replicas of the sign product specified herein in its brochures, pamphlets, displays, sales documents or other advertising or promotional media in the ordinary course of business of Seller. Seller may place on the sign product its name, telephone number and location of such information, as shall be determined by Seller and solely by the Seller. Buyer agrees that Buyer is purchasing said sign product for business or commercial purposes or use and not for personal, family or household use or purposes. In regard to payment of any amount due hereunder, time is of the essence.