



City of Bryant, Arkansas
 Community Development
 210 SW 3rd Street Bryant, AR 72022
 501-943-0943

SIGN PERMIT APPLICATION

Applicants are advised to read the Sign Ordinance prior to completing and signing this form. The Sign Ordinance is available at www.cityofbryant.com under the Planning and Community Development tab.

Note: Electrical Permits may be Required. Please contact the Community Development Office for more information.

Date: 9.8.22

Sign Co. or Sign Owner

Name K&P Signs
 Address 209 E McLeroy Blvd., Unit C
 City, State, Zip Saginaw, TX 76179
 Phone 817-905-6765
 Email Address cody@kpsigns.net

Property Owner

Name Ampler Dev LLC
 Address 1850 Parkway PI
 City, State, Zip Bryant, AR 72022
 Phone _____
 Email Address _____

GENERAL INFORMATION

Name of Business Church's Chicken
 Address/Location of sign 1905 N Reynolds Rd
 Zoning Classification _____

Please use following page to provide details on the signs requesting approval. Along with information provided on this application, a **Site Plan showing placement of sign(s) and any existing sign(s) on the property is required** to be submitted. **Renderings of the sign(s) showing the correct dimensions is also required** to be submitted with the application. A thirty-five dollar (\$35) per sign payment will be collected at the time of permit issuance. According to the Sign Ordinance a fee for and sign variance or special sign permit request shall be one hundred dollars (\$100). Additional documentation may be required by Sign Administrator.

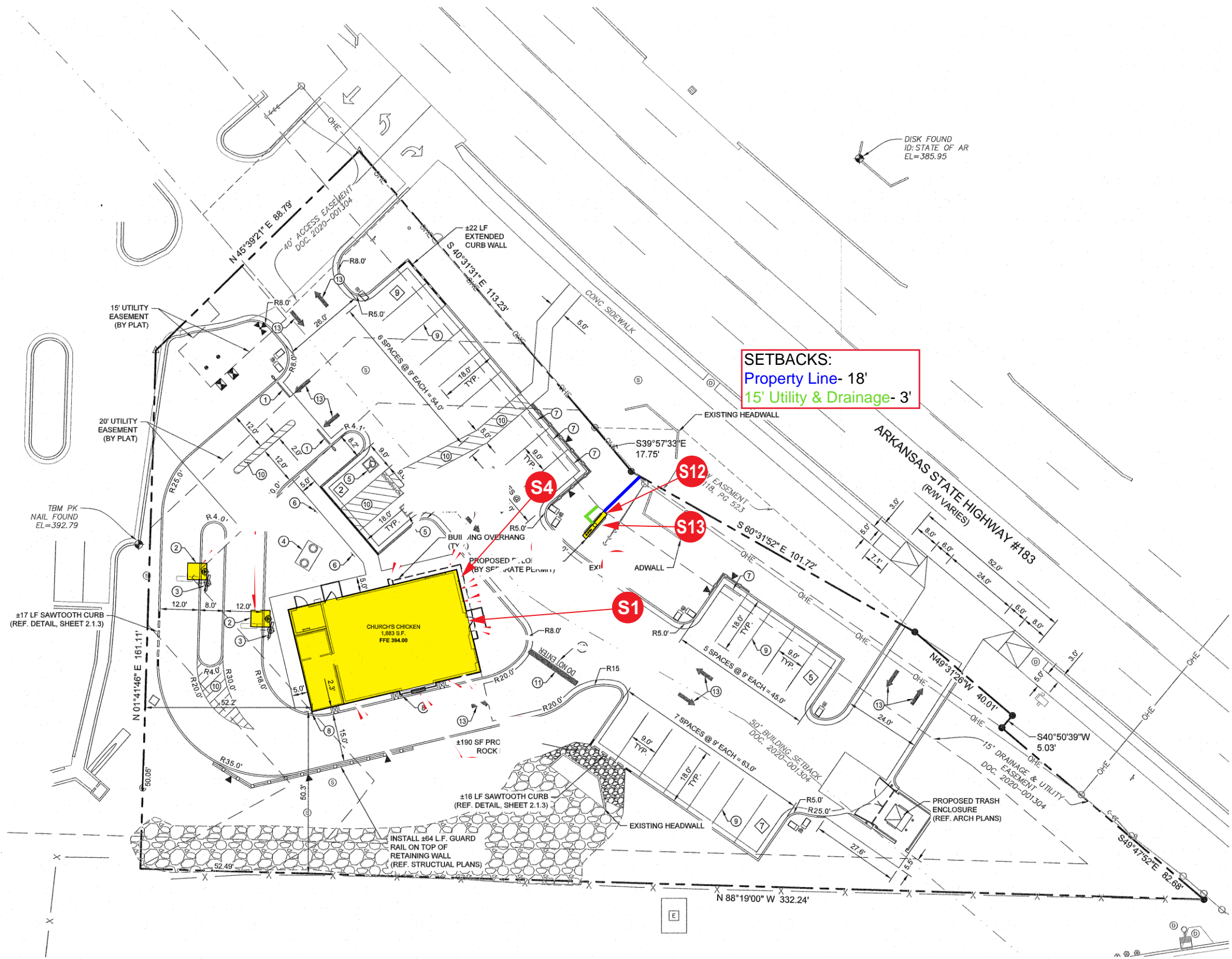
READ CAREFULLY BEFORE SIGNING

I, Cody Dishman, do hereby certify that all information contained within this application is true and correct. I fully understand that the terms of the Sign Ordinance supersede the Sign Administrator's approval and that all signs must fully comply with all terms of the Sign Ordinance regardless of approval. I further certify that the proposed sign is authorized by the owner of the property and that I am authorized by the property owner to make this application. I understand

that no sign may be placed in public right of way. I understand that I must comply with all Building and Electrical Codes and that it is my responsibility to obtain all necessary permits.

Use table below to enter information regarding each sign for approval. Please use each letter to reference each sign rendering.

SIGN	Type (Façade, Pole, Monument, other)	Dimensions (Height, Length, Width)	Sqft (Measured in whole as rectangle)	Height of Sign (Measured from lot surface)		Column for Admin Certifying Approval
				Top of Sign	Bottom of Sign	
A	Wall	6' x 6' x 3"	28.27	17'- 11 1/2"	11'- 11 1/2"	
B	Wall	7'- 6 13/16" x 8"	5.07	9'- 2"	8'- 6"	
C	Pylon w/ Readerboard	19'- 1" x 6' x 1'- 4"	114.48	19'- 1"	10'	
E						
F						
G						



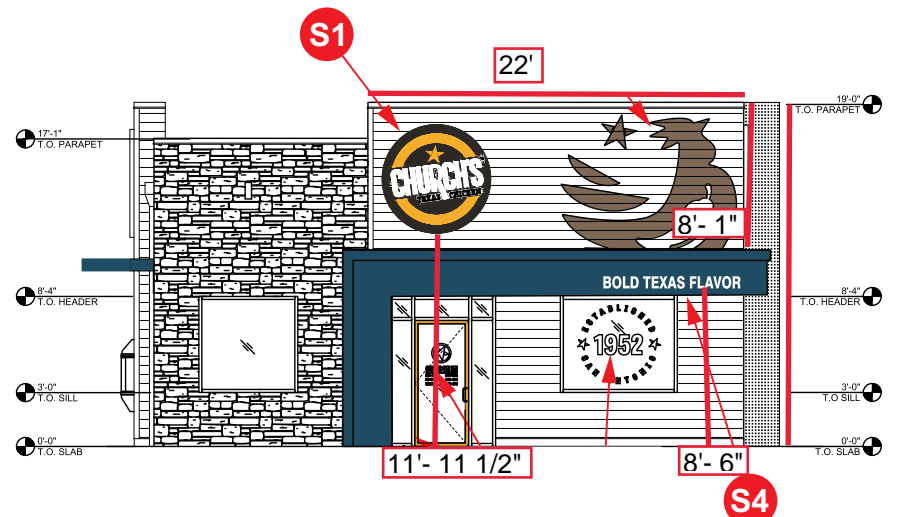
BUILDING ELEVATION - FRONT:
 S1 (1) 6' DIAMETER "CHURCH'S" PUCK SIGN - FACE & HALO LIT

S4 (1) 11' X 24' ILLUMINATED ACM PORTAL W/ "BTF" PUSH THRU LETTERS

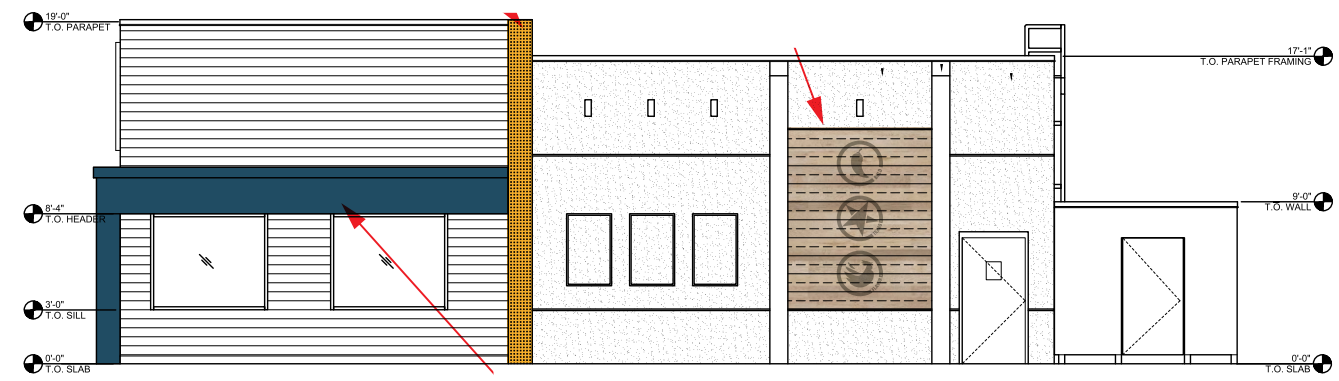
Additional Signs - Not shown
 S12 (1) 30' OAH 6' D/F PYLON
 S13 (1) DF 3' x 6' READERBOARD

#	Date	Description	Initial
1	3/30/22	Add Pylon/Readerboard	AB
2	05/04/22	Delete channels/alter pylon/	AB
3	07/13/22	Remove Product	T.F.D.
4	08/17/22	Change Portal sizes	AB
5	08/17/22	change measurements	AB
6	08/23/22	change even more measurements	AB

Elevations

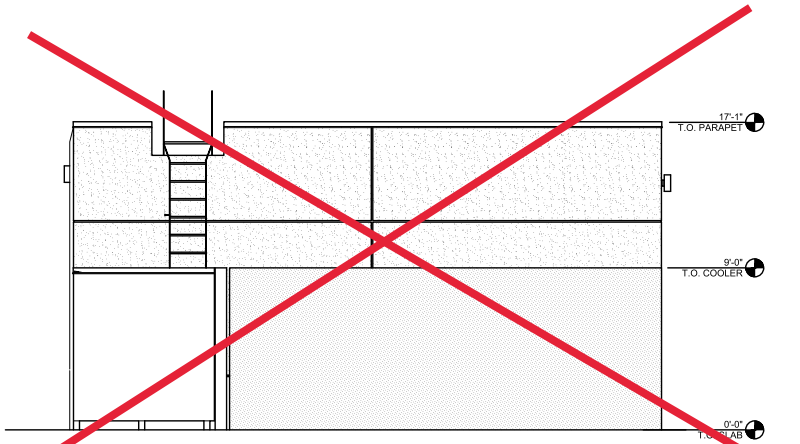


Front Elevation
Scale: 3/32"=1'-0"

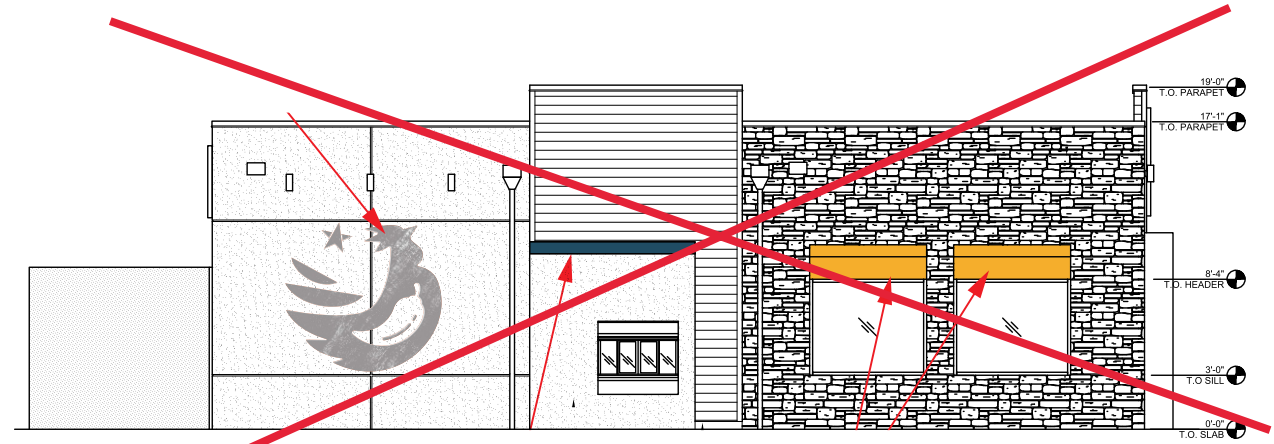


Side Elevation
Scale: 3/32"=1'-0"

- BUILDING ELEVATION - FRONT:**
- S1 (1) 6' DIAMETER "CHURCH'S" PUCK SIGN - FACE & HALO LIT
 - S4 (1) 11' X 24' ILLUMINATED ACM PORTAL W/ "BTF" PUSH THRU LETTERS



Rear Elevation
Scale: 3/32"=1'-0"



Drive Thru
Scale: 3/32"=1'-0"

- Additional Signs - Not shown**
- S12 (1) 30' OAH 6' D/F PYLON
 - S13 (1) DF 3' x 6' READERBOARD

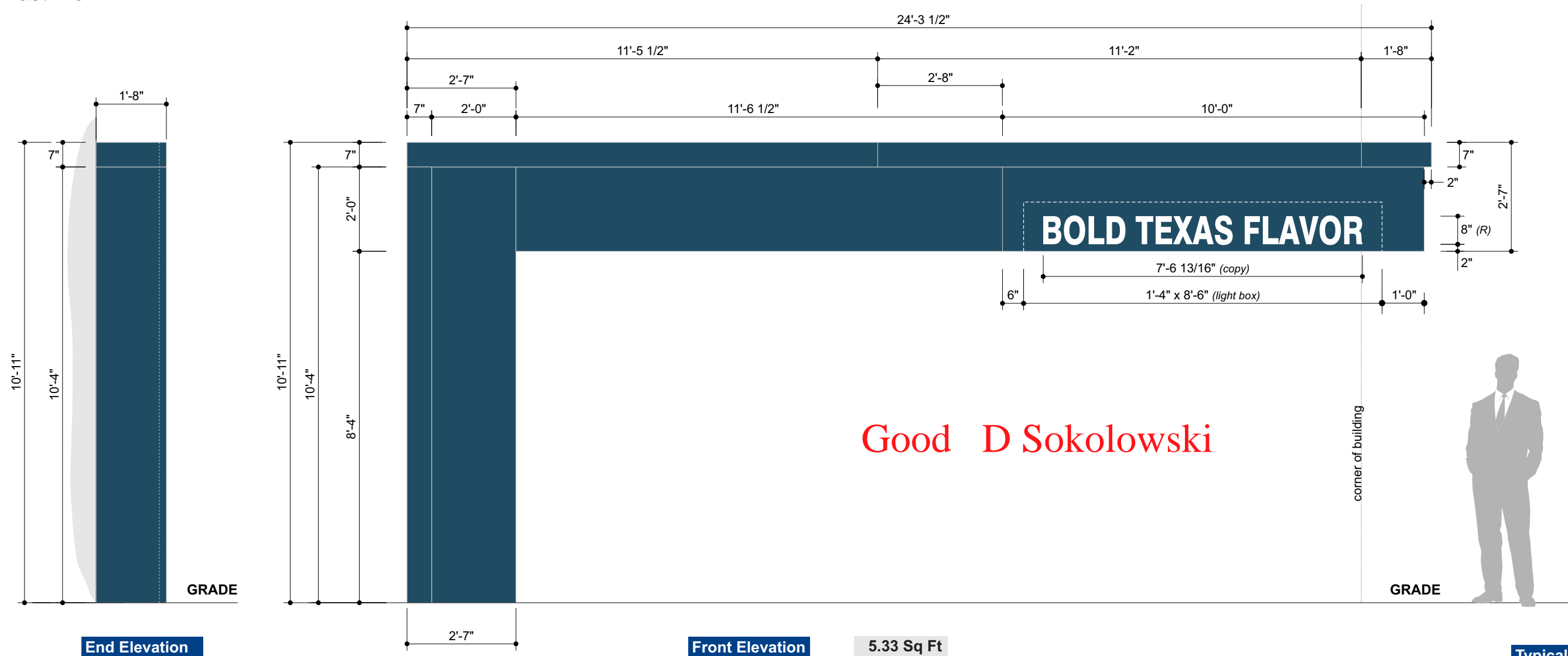
S4 31" L-Shape Illuminated Aluminum Portals

East Elev.

Aluminum Portals

FIELD SURVEY REQUIRED
Prior to Release to Production

DESIGN INTENT ONLY
Engineering Required to Determine Actual Production & Installation Requirements



Good D Sokolowski

End Elevation
Scale: 3/8"=1'-0"

Front Elevation
Scale: 3/8"=1'-0" **5.33 Sq Ft**

Vinyl Specifications
3M 3635-70 Diffuser

Color Specifications
Benjamin Moore
Champion Cobalt Blue
Clear Acrylic

All paint finishes to be Satin unless otherwise specified

General Specifications

- Portal:** Brake-formed Aluminum, painted Champion Cobalt Blue
- Copy:** Copy to be 3/4" clear acrylic routed and pushed thru 1/2". All push-thru to have white diffuser applied second surface.
- Illum:** LEDs as required by manufacturer, remote power supplies
- Install:** Installed using min. 3/8" all thread fasteners (or approved equivalent) and wood blocking as required
- Electrical:** (1) 20 AMP Circuit, 120 Volts
Actual # of Circuits to be determined by Licensed Electrical Contractor
- Quantity:** (1) ONE PORTAL ASSEMBLY REQUIRED FOR EXTERIOR ELEVATION

Notes:
Available for New Construction.
Portal sections will ship in 10'-0" sections & will be trimmed to fit in the field



THIS SIGN IS INTENDED TO BE INSTALLED IN ACCORDANCE WITH THE REQUIREMENTS OF ARTICLE 600 OF THE NATIONAL ELECTRICAL CODE AND/OR OTHER APPLICABLE LOCAL CODES. THIS INCLUDES PROPER GROUNDING AND BONDING OF THE SIGN.



#	Date	Description	Initial
1	3/30/22	Add Pylon/Readerboard	AB
2	05/04/22	Delete channels/alter pylon/	AB
3	07/13/22	Remove Product	T.F.D.
4	08/17/22	Change Portal sizes	AB
5	08/17/22	change measurements	AB
6	08/23/22	change even more measurements	AB

Client Review Status
Allen Industries, Inc. requires that an approved drawing be obtained from the client prior to any production release or production release revision.

Client Signature:	Approval Date:
-------------------	----------------

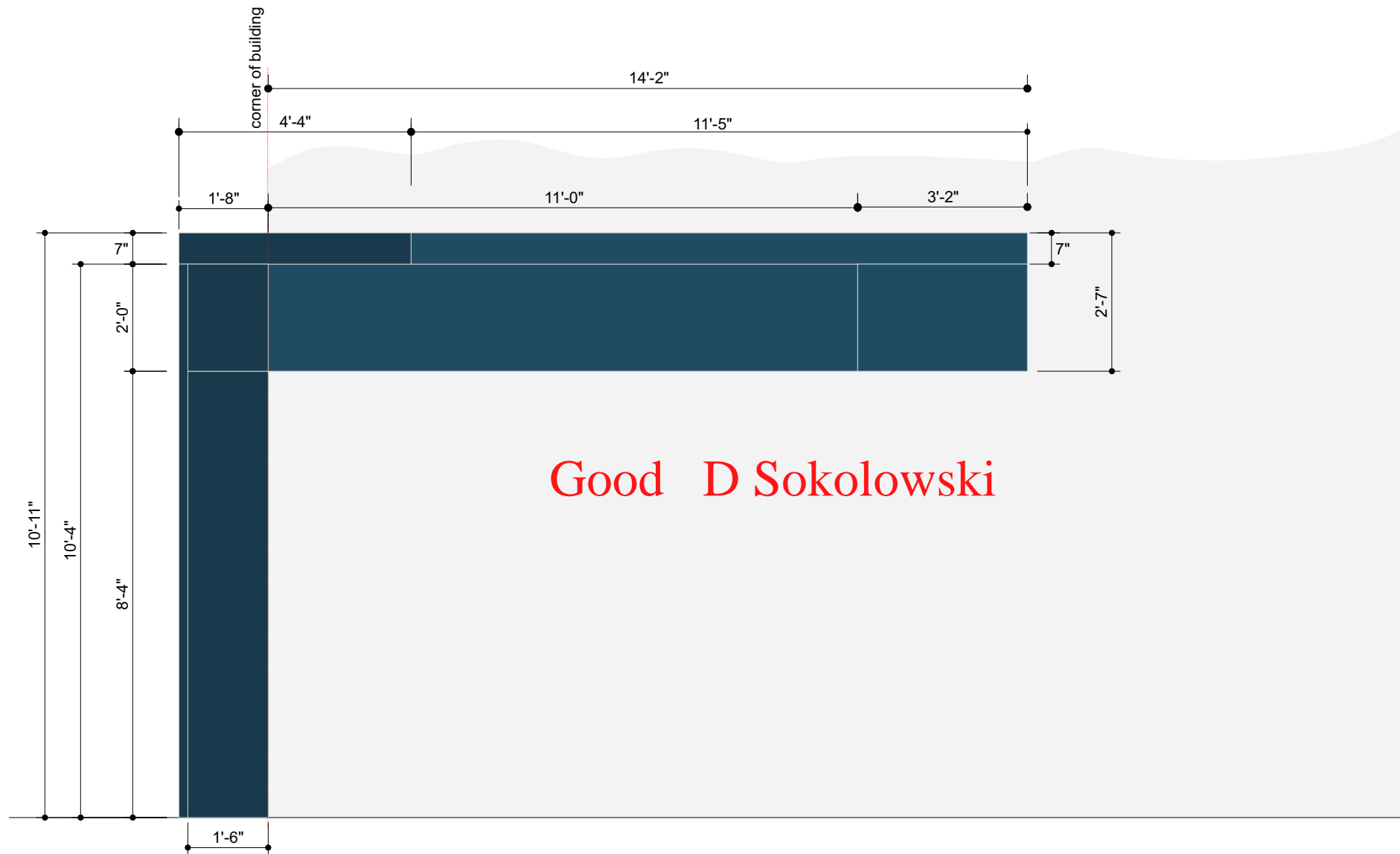
S5 31" L-Shape Illuminated Aluminum Portals

Aluminum Portals
NO TEXT

NON-STANDARD

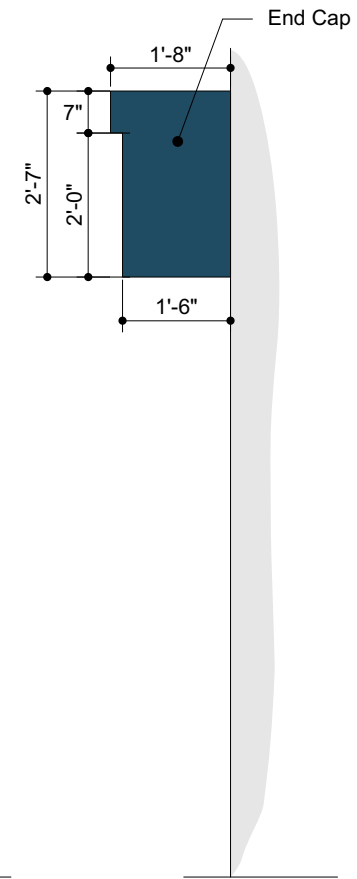
FIELD SURVEY REQUIRED
Prior to Release to Production

DESIGN INTENT ONLY
Engineering Required to
Determine Actual Production
& Installation Requirements



Front Elevation
Scale: 3/8"=1'-0"

5.33 Sq Ft



End Elevation
Scale: 3/8"=1'-0"

GRADE

Typical Installation



Vinyl Specifications

3M 3635-70 Diffuser

Color Specifications

Benjamin Moore
Champion Cobalt Blue
Clear Acrylic

All paint finishes to be Satin
unless otherwise specified

General Specifications

- Portal:** Brake-formed Aluminum, painted Champion Cobalt Blue
- Copy:** Copy deleted from this install/Site
- Illum:** LEDs as required by manufacturer, remote power supplies
- Install:** Installed using min. 3/8" all thread fasteners (or approved equivalent) and wood blocking as required
- Electrical:** (1) 20 AMP Circuit, 120 Volts
Actual # of Circuits to be determined by Licensed Electrical Contractor
- Quantity:** (1) ONE PORTAL ASSEMBLY REQUIRED FOR EXTERIOR ELEVATION

Notes:
Available for New Construction.
Portal sections will ship in 10'-0" sections & will be trimmed to fit in the field



Electric Sign
Complies with
UL48

THIS SIGN IS INTENDED TO BE INSTALLED IN ACCORDANCE WITH THE REQUIREMENTS OF ARTICLE 600 OF THE NATIONAL ELECTRICAL CODE AND/OR OTHER APPLICABLE LOCAL CODES. THIS INCLUDES PROPER GROUNDING AND BONDING OF THE SIGN.

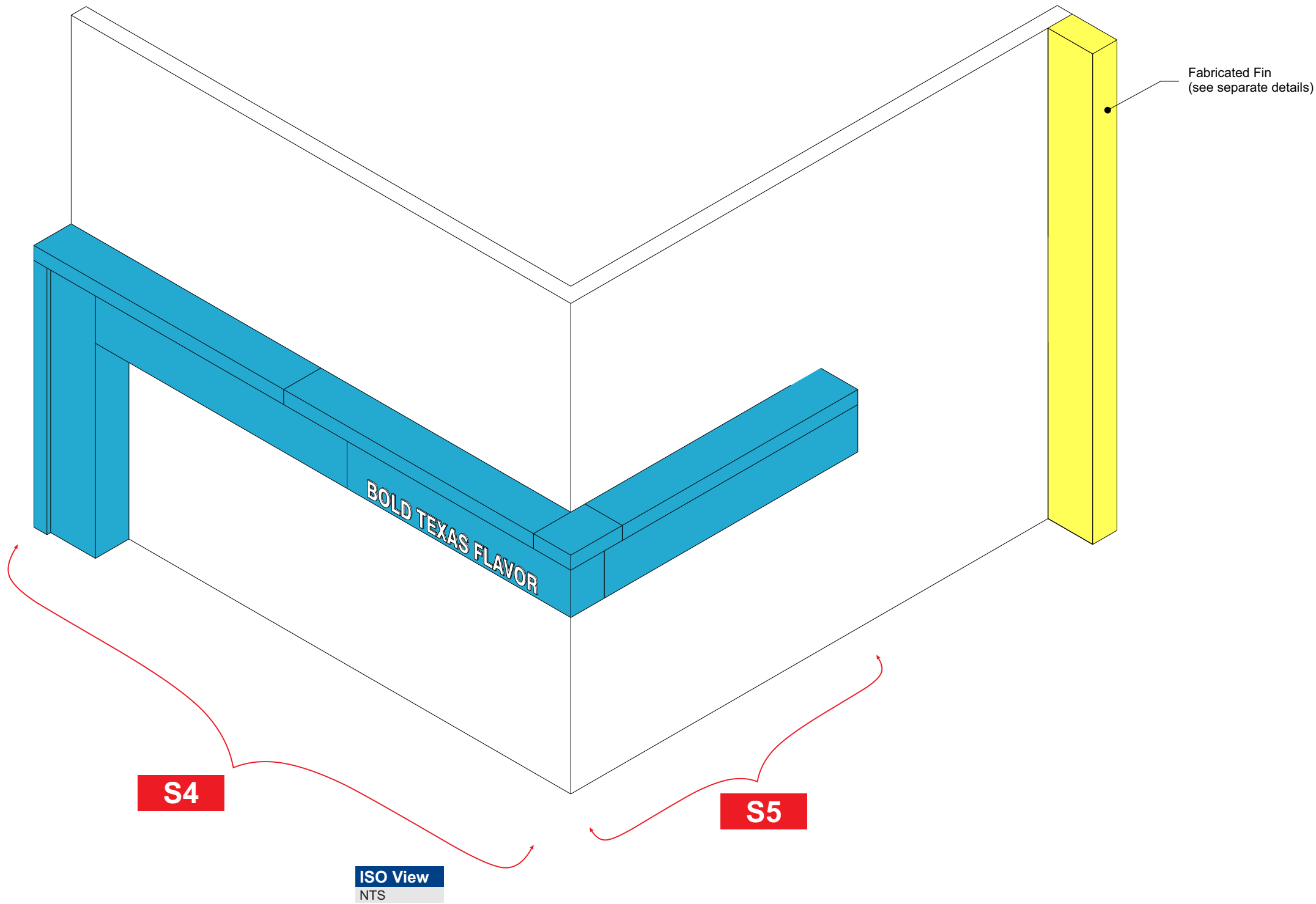


#	Date	Description	Initial
1	3/30/22	Add Pylon/Readerboard	AB
2	05/04/22	Delete channels/alter pylon/	AB
3	07/13/22	Remove Product	T.F.D.
4	08/17/22	Change Portal sizes	AB
5	08/17/22	change measurements	AB
6	08/23/22	change even more measurements	AB

Client Review Status

Allen Industries, Inc. requires that an approved drawing be obtained from the client prior to any production release or production release revision.

Client Signature:	Approval Date:
-------------------	----------------



#	Date	Description
1	3/30/22	Add Pylon/Readerboard
2	05/04/22	Delete channels/alter pylon/
3	07/13/22	Remove Product
4	08/17/22	Change Portal sizes
5	08/17/22	change measurements
6	08/23/22	change even more measurements

Initial
AB
AB
T.F.D.
AB
AB
AB

Client Review Status

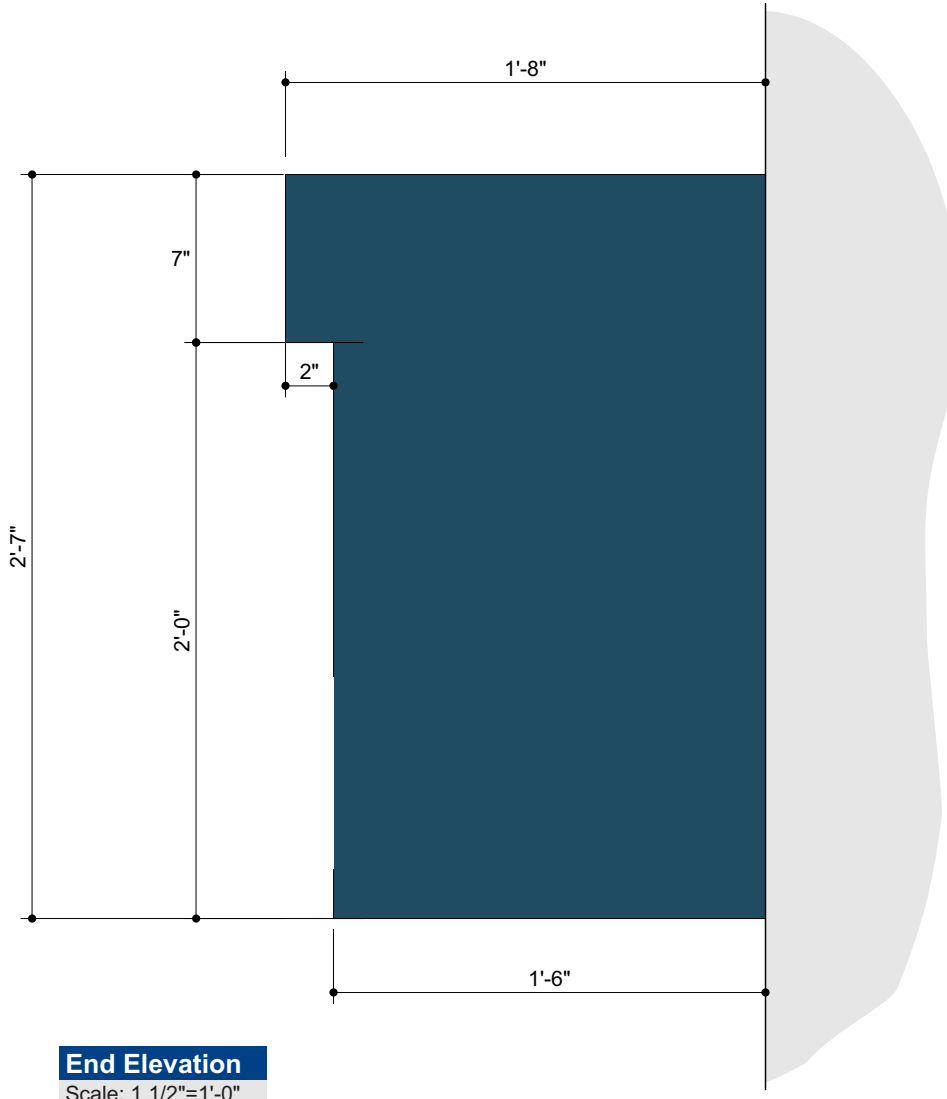
Allen Industries, Inc. requires that an approved drawing be obtained from the client prior to any production release or production release revision.

Client Signature:

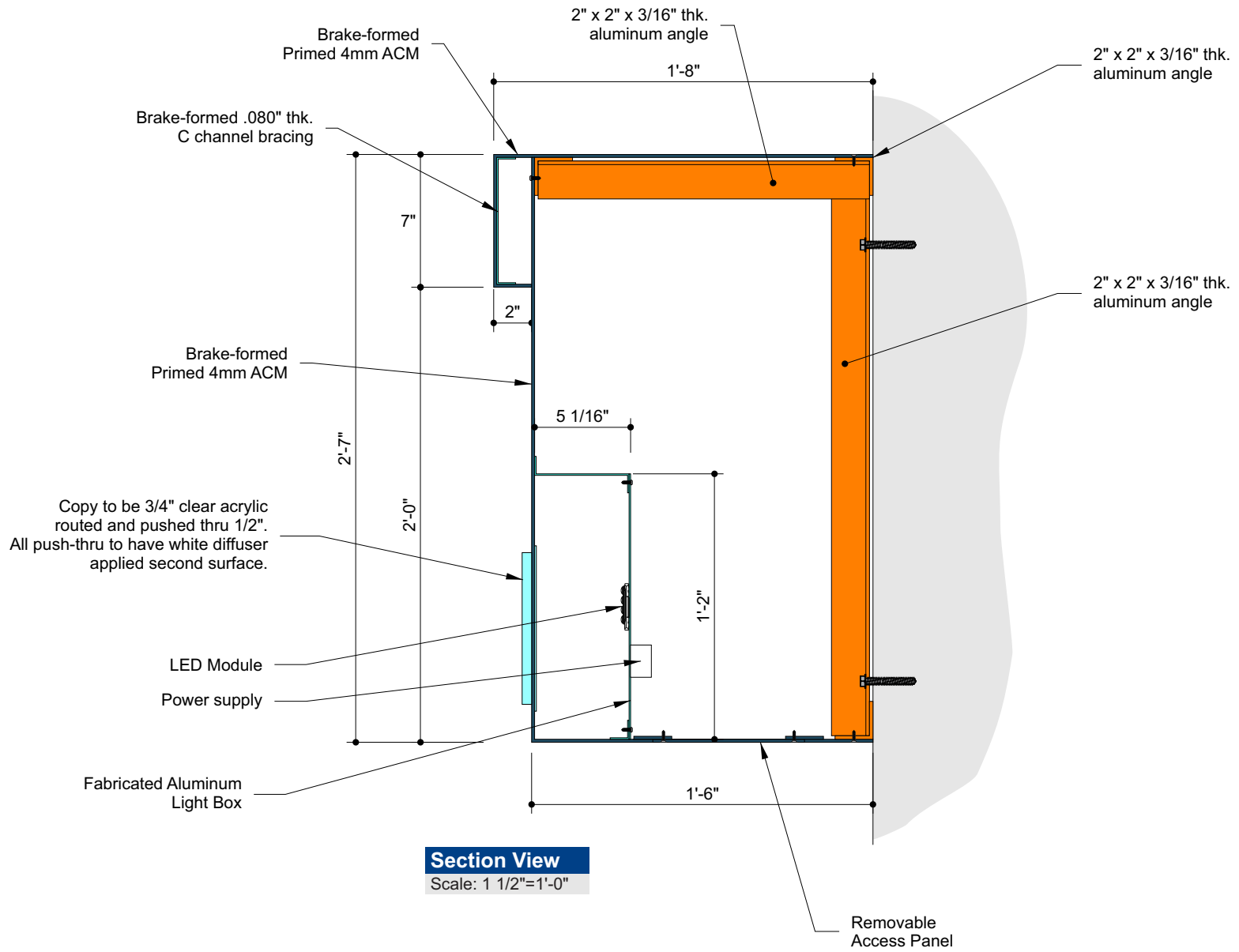
Approval Date:

FIELD SURVEY REQUIRED
Prior to Release to Production

DESIGN INTENT ONLY
Engineering Required to
Determine Actual Production
& Installation Requirements



End Elevation
Scale: 1 1/2"=1'-0"



Section View
Scale: 1 1/2"=1'-0"



Electric Sign
Complies with
UL48

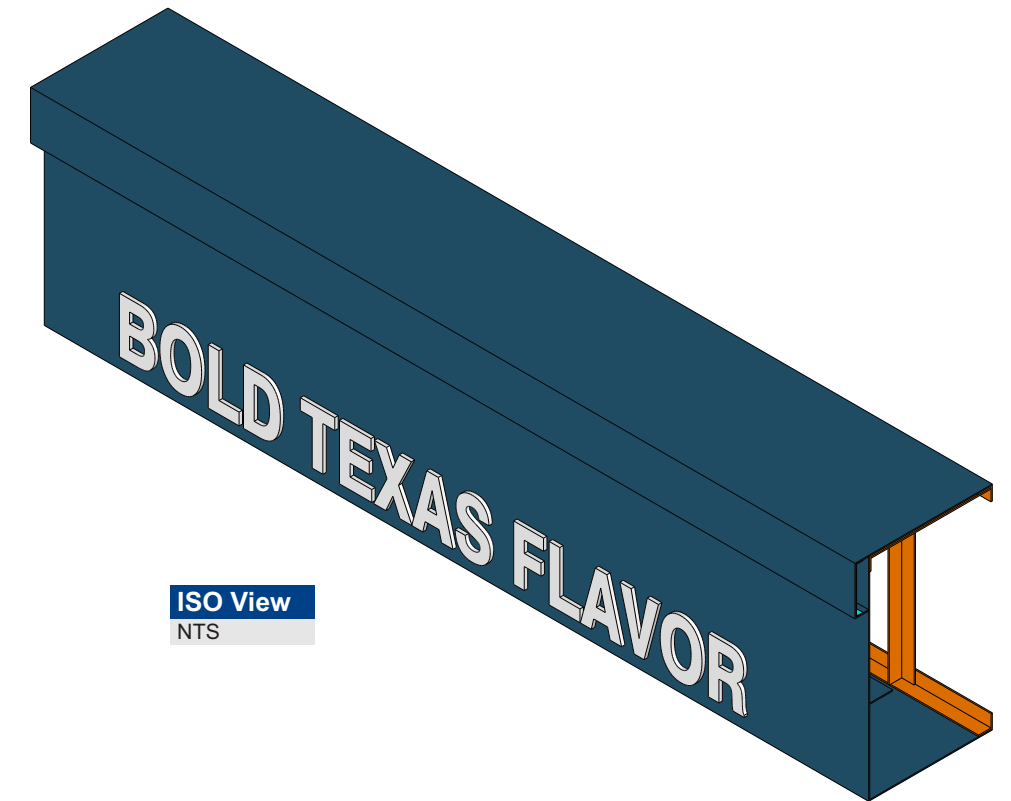
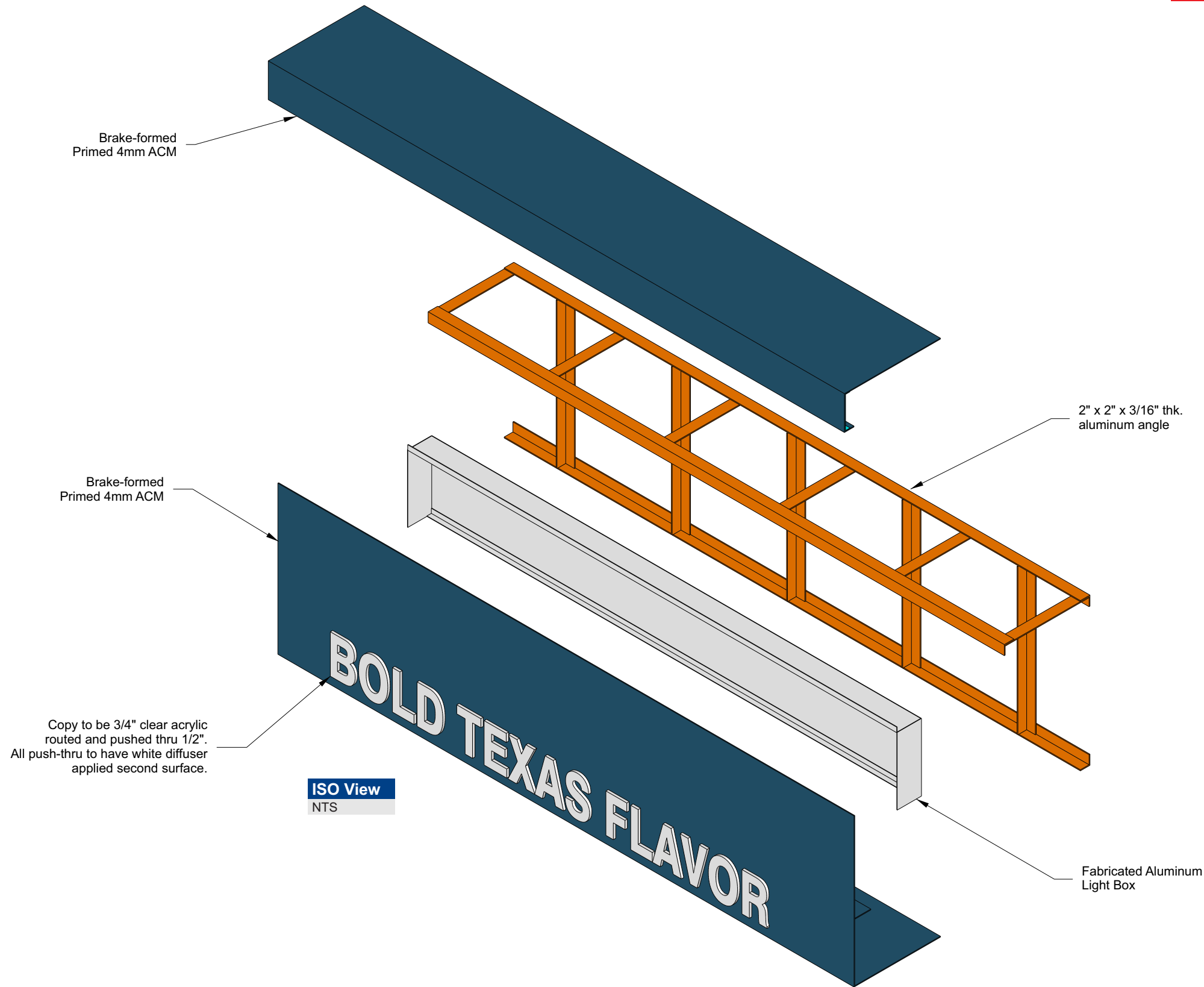
THIS SIGN IS INTENDED TO BE INSTALLED IN ACCORDANCE WITH THE REQUIREMENTS OF ARTICLE 600 OF THE NATIONAL ELECTRICAL CODE AND/OR OTHER APPLICABLE LOCAL CODES. THIS INCLUDES PROPER GROUNDING AND BONDING OF THE SIGN.



#	Date	Description	Initial
1	3/30/22	Add Pylon/Readerboard	AB
2	05/04/22	Delete channels/alter pylon/	AB
3	07/13/22	Remove Product	T.F.D.
4	08/17/22	Change Portal sizes	AB
5	08/17/22	change measurements	AB
6	08/23/22	change even more measurements	AB




Client Review Status
Allen Industries, Inc. requires that an approved drawing be obtained from the client prior to any production release or production release revision.

Client Signature:	Approval Date:
-------------------	----------------



ISO View
NTS

ISO View
NTS

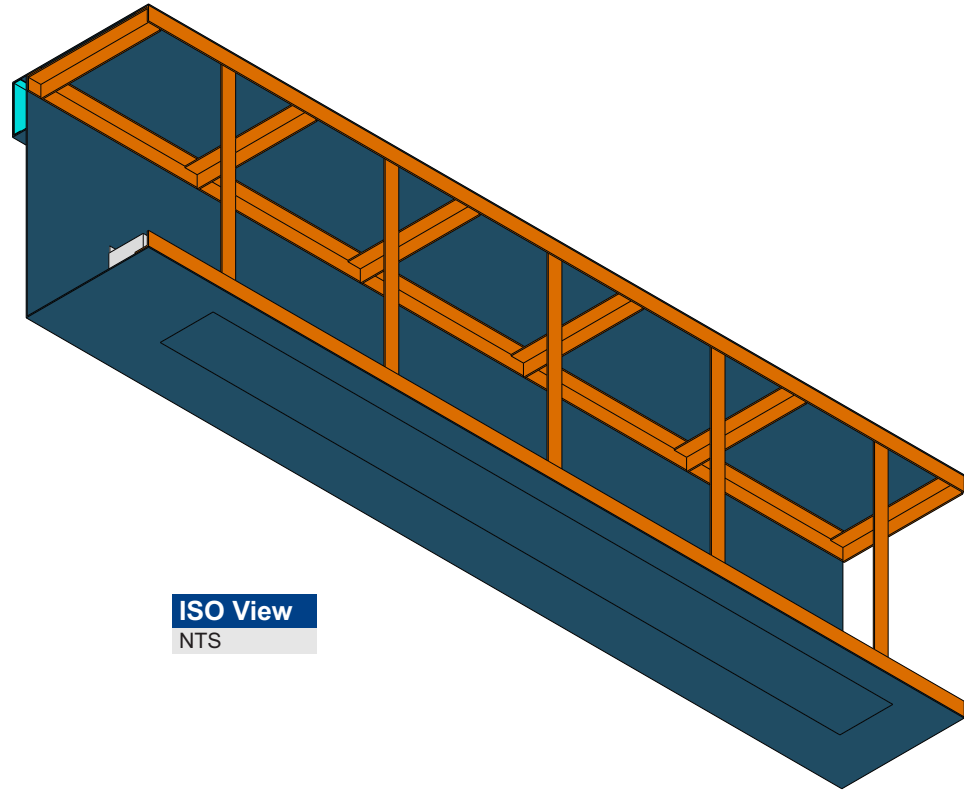
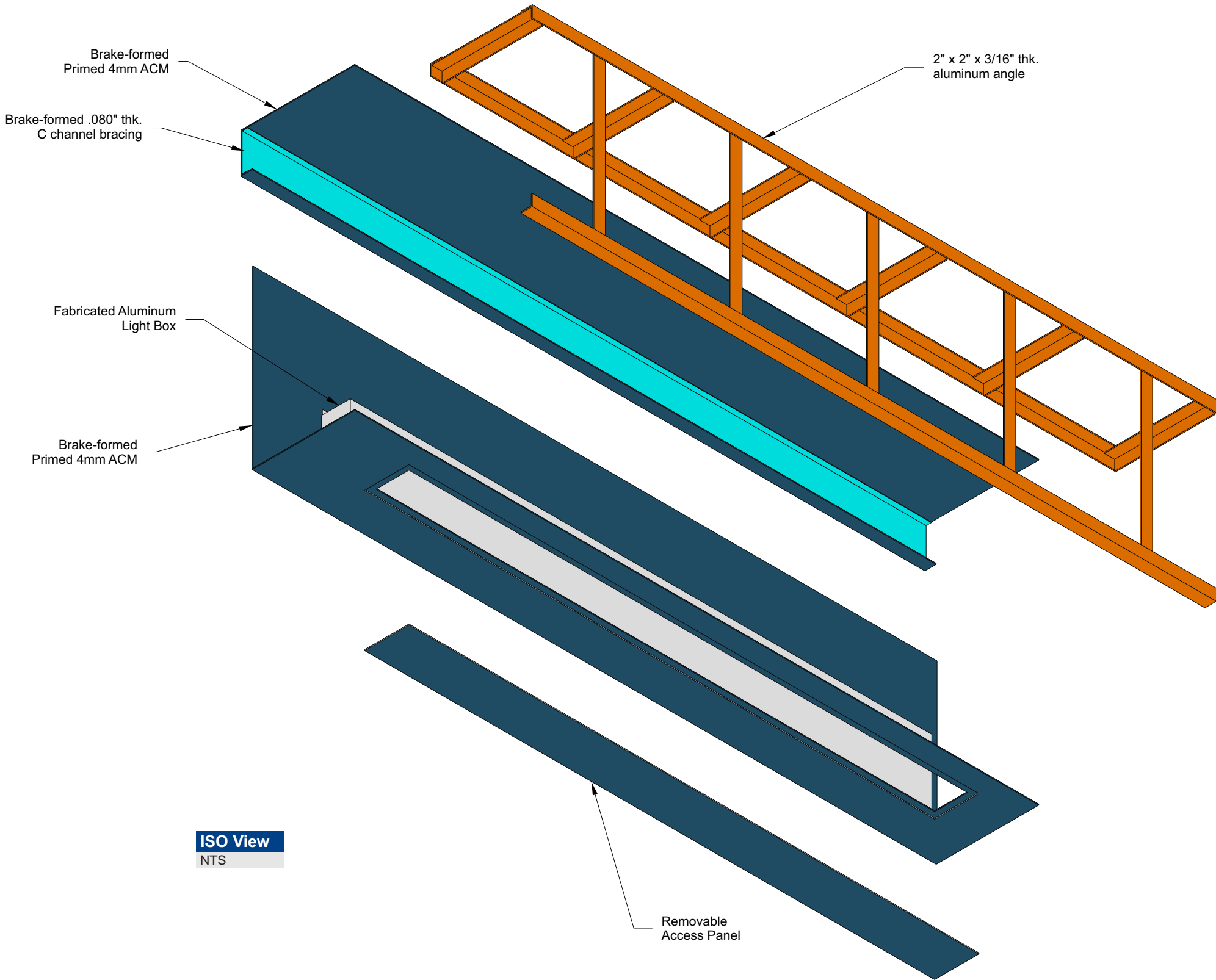
Material Specifications	
	4mm ACM
	.080" Aluminum
	2" x 2" x 3/16" Alum. Angle

#	Date	Description
1	3/30/22	Add Pylon/Readerboard
2	05/04/22	Delete channels/alter pylon/
3	07/13/22	Remove Product
4	08/17/22	Change Portal sizes
5	08/17/22	change measurements
6	08/23/22	change even more measurements

Initial
AB
AB
T.F.D.
AB
AB
AB




Client Review Status
Allen Industries, Inc. requires that an approved drawing be obtained from the client prior to any production release or production release revision.

Client Signature: _____ Approval Date: _____

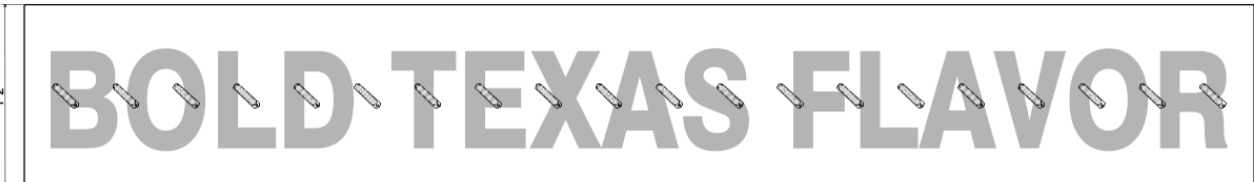
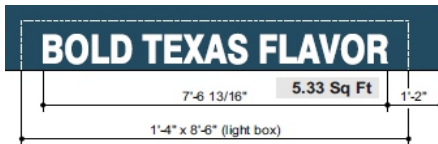


ISO View
NTS

ISO View
NTS

Material Specifications	
	4mm ACM
	.080" Aluminum
	2" x 2" x 3/16" Alum. Angle

#	Date	Description	Initial
1	3/30/22	Add Pylon/Readerboard	AB
2	05/04/22	Delete channels/alter pylon/	AB
3	07/13/22	Remove Product	T.F.D.
4	08/17/22	Change Portal sizes	AB
5	08/17/22	change measurements	AB
6	08/23/22	change even more measurements	AB



Material Breakdown		
miniMAX 71K (24V)	Modules	24V P/S
CABINET	20	P/S 1

1) THE GRAPHICS ABOVE ARE FOR REFERENCE ONLY and should not be used for commercial quotation or bid without validation. The material estimates for Tetra® LED Systems are based upon our engineering standards and information provided pertaining to font, letter height, can depth, face material, and any special instructions provided by the customer. Missing information will cause delays in delivery of estimates as well as affect product selection, quantities, application, and illumination.

2) LED MODULE PLACEMENT AND QUANTITY IS AN APPROXIMATION ONLY. The sign manufacturer must verify module placement and quantity to ensure even illumination.

3) Final material quantities for estimation purposes and construction are the responsibility of the sign OEM.

4) All signs should be tested as complete units (including correct Tetra® power supply) before installation for acceptable color, illumination, intensity, & functionality.

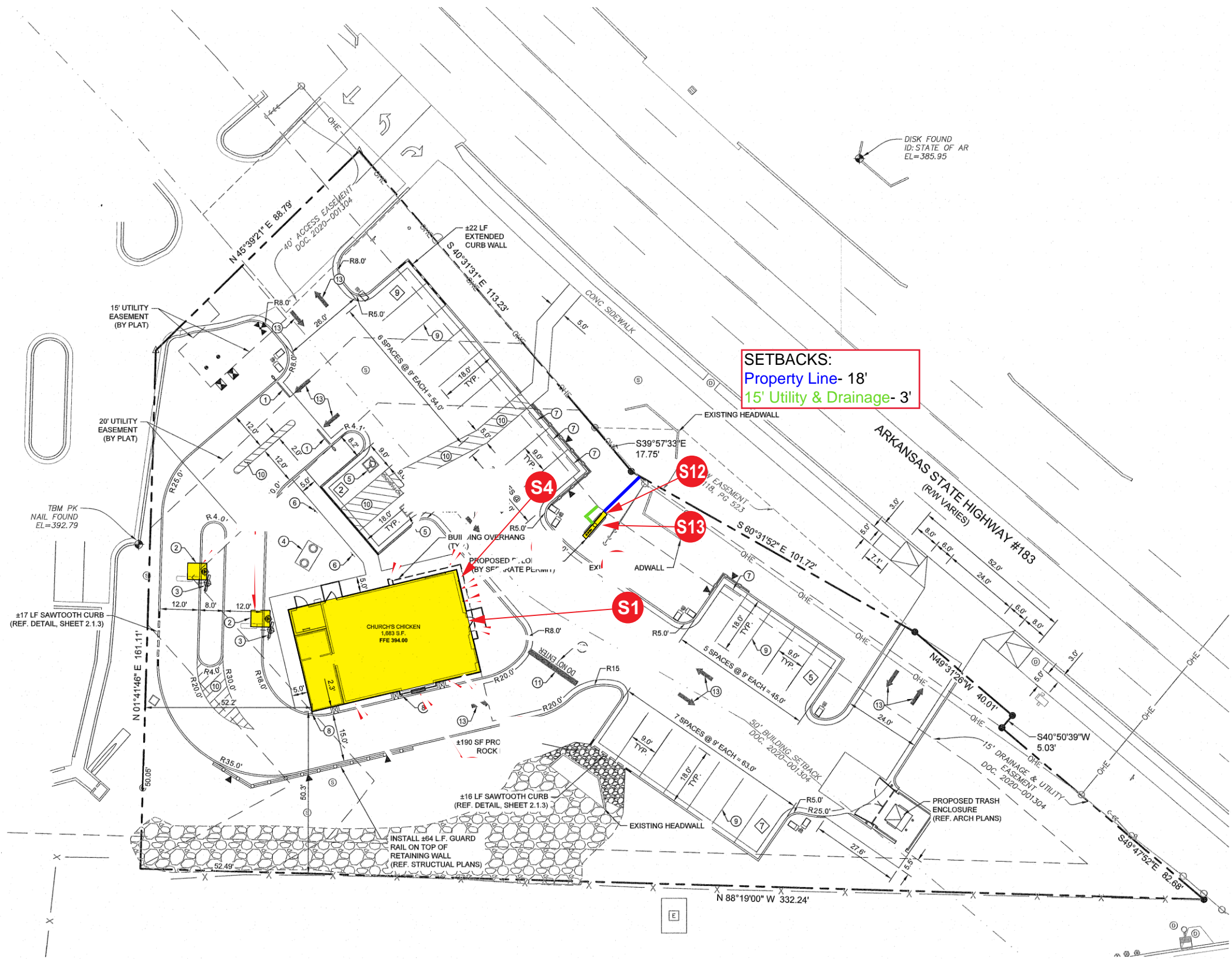
5) For detailed information refer to the applicable Tetra® product found under Signage; <https://products.gecurrent.com/led-signage-lighting>

Sign Type	Illumination	Primary Circuit (120 VAC)	SKU	Description	Name	Quantity
SINGLE SIDED CABINET	PUSH-THRU	0.3 Amps	93053666	GEMM2471-W1	miniMAX 71K (24V)	20 Modules 10 Ft
Can Depth	LED Distance From Face	Power Supply Location	Sign Area			
5"	N/A	SELF-CONTAINED	8.74 Sq Ft			
Special Instructions			Total Module Watts			
			6.96 Watts			
			Total System Watts			
			8.28 Watts			
Notes			Energy Usage			
			0.95 Watts/Sq Ft			
Canopy			Total Lumens			
			1100.00 Lumens			
			191600041 or 192160004			
			9409			
			125.86 Lumens/Sq Ft			
			191600041			

Name	Quantity
25W - 24V (NA)	1 Ea
Rails (8')	0 Ea
Assy Brkts / Mtg Clip	0 Ea
Wire Connector	2 Ea
18 AWG Supply Wire	22 Ft
Wire End Cap	2 Ea

TECHNICAL SUPPORT: 888-694-3533 EMAIL: tetradrawings@gecurrent.com	a Daintree company	Drawn By: MDM Checked By: MDM Date: 3/24/22	Job Name: Church's Chicken Customer Name: Church's Chicken	Drwg #: 094106 - 12 Rev: -
--	--------------------	---	---	--------------------------------------

PAGE 1 of 1



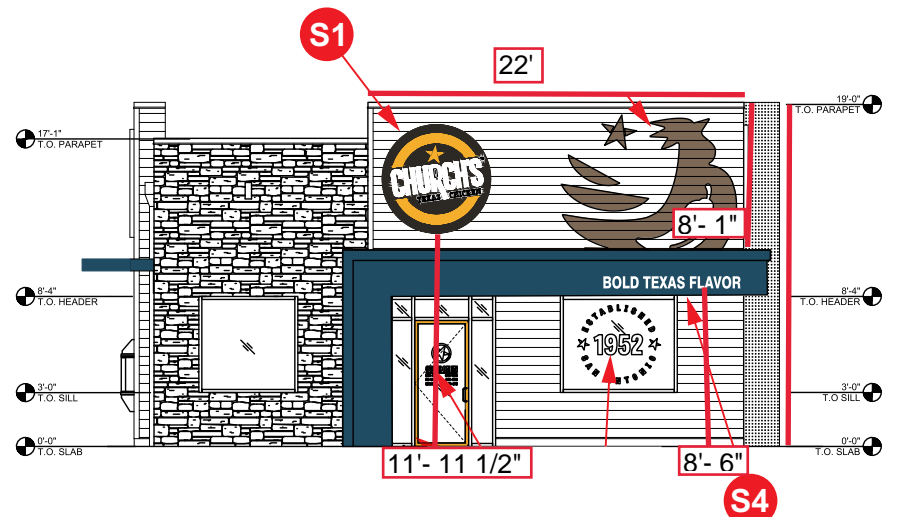
BUILDING ELEVATION - FRONT:
 S1 (1) 6' DIAMETER "CHURCH'S" PUCK SIGN - FACE & HALO LIT

S4 (1) 11' X 24' ILLUMINATED ACM PORTAL W/ "BTF" PUSH THRU LETTERS

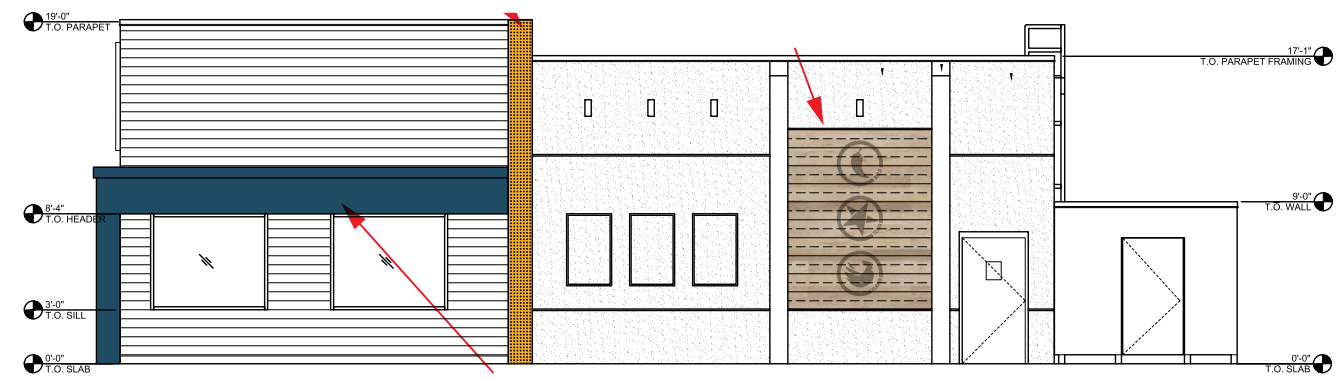
Additional Signs - Not shown
 S12 (1) 30' OAH 6' D/F PYLON
 S13 (1) DF 3' x 6' READERBOARD

#	Date	Description	Initial
1	3/30/22	Add Pylon/Readerboard	AB
2	05/04/22	Delete channels/alter pylon/	AB
3	07/13/22	Remove Product	T.F.D.
4	08/17/22	Change Portal sizes	AB
5	08/17/22	change measurements	AB
6	08/23/22	change even more measurements	AB

Elevations

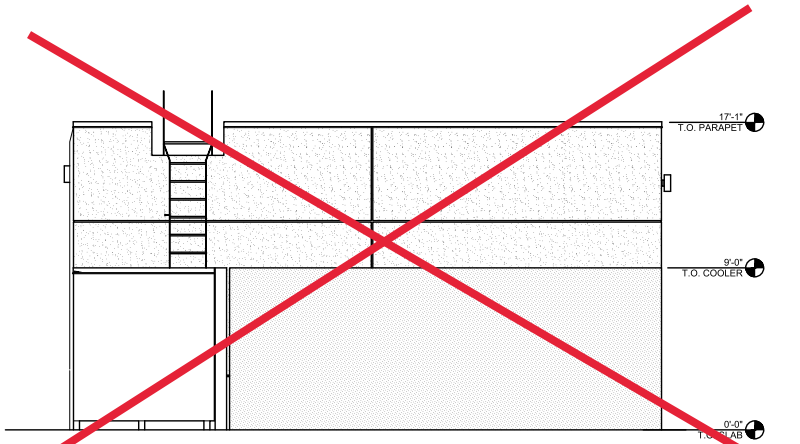


Front Elevation
Scale: 3/32"=1'-0"

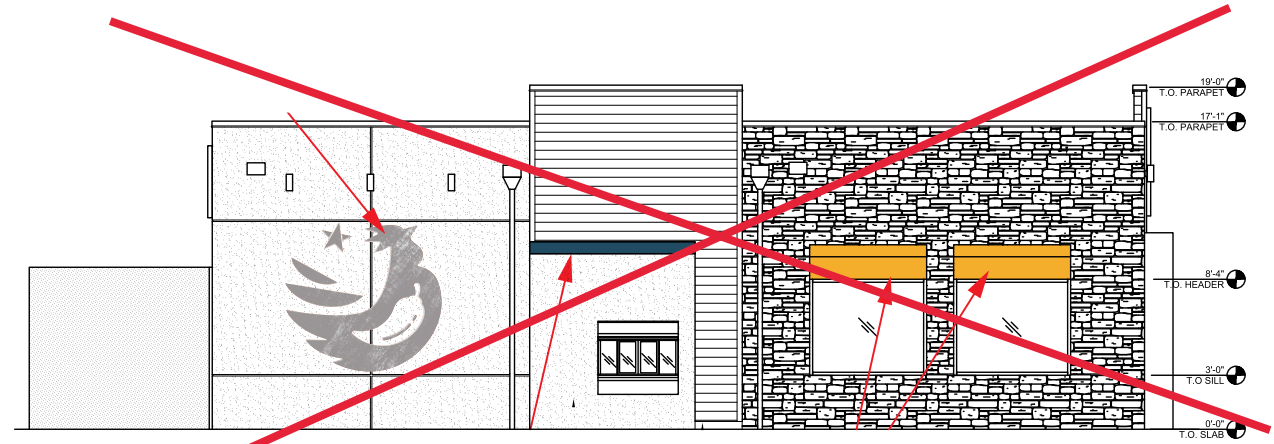


Side Elevation
Scale: 3/32"=1'-0"

- BUILDING ELEVATION - FRONT:**
- S1 (1) 6' DIAMETER "CHURCH'S" PUCK SIGN - FACE & HALO LIT
 - S4 (1) 11' X 24' ILLUMINATED ACM PORTAL W/ "BTF" PUSH THRU LETTERS

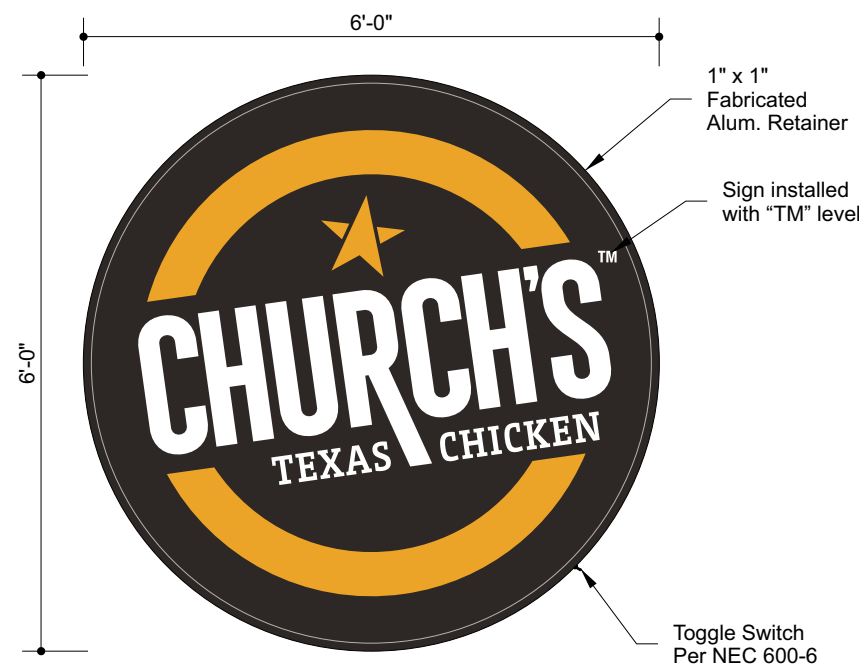


Rear Elevation
Scale: 3/32"=1'-0"



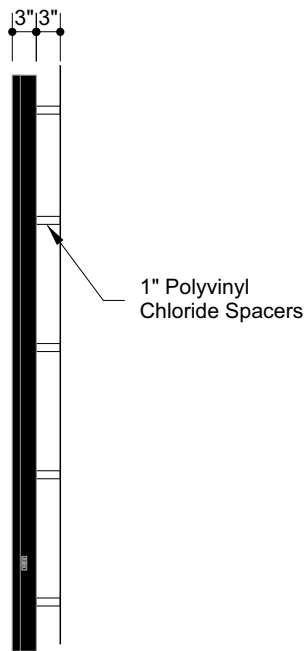
Drive Thru
Scale: 3/32"=1'-0"

- Additional Signs - Not shown**
- S12 (1) 30' OAH 6' D/F PYLON
 - S13 (1) DF 3' x 6' READERBOARD



Front Elevation
Scale: 1/2"=1'-0"

28.27 Sq Ft



Side Elevation
Scale: 1/2"=1'-0"

East Elev.

S1 72" Puck Wall Sign Face Lit & Halo Lit



LED Illuminated
1 Req'd

DESIGN INTENT ONLY
Engineering Required to
Determine Actual Production
& Installation Requirements

FIELD SURVEY REQUIRED
Prior to Release to Production

General Specifications

- Face:** .177" White Polycarbonate with 1st surface vinyl graphics
- Returns:** 3" deep .040" Aluminum, painted Black
- Retainer:** 1" x 1" Fabricated Alum. Retainer, painted Black
- Backs:** .177" thk. White Polycarbonate
- LED Illum:** White LEDs as required by manufacturer, Remote Power Supplies
- Electrical:** Actual # of Circuits to be determined by Licensed Electrical Contractor, (1) 20 AMP Circuit, 120 Volts
- Wall Type:** TBD
- Install:** Wall Sign to be installed using min. 3/8" all thread fasteners (or approved equivalent) and wood blocking as required, 3" stand off spacers from wall surface - painted to match wall
- Quantity:** (1) ONE WALL SIGN REQUIRED FOR EXTERIOR ELEVATION

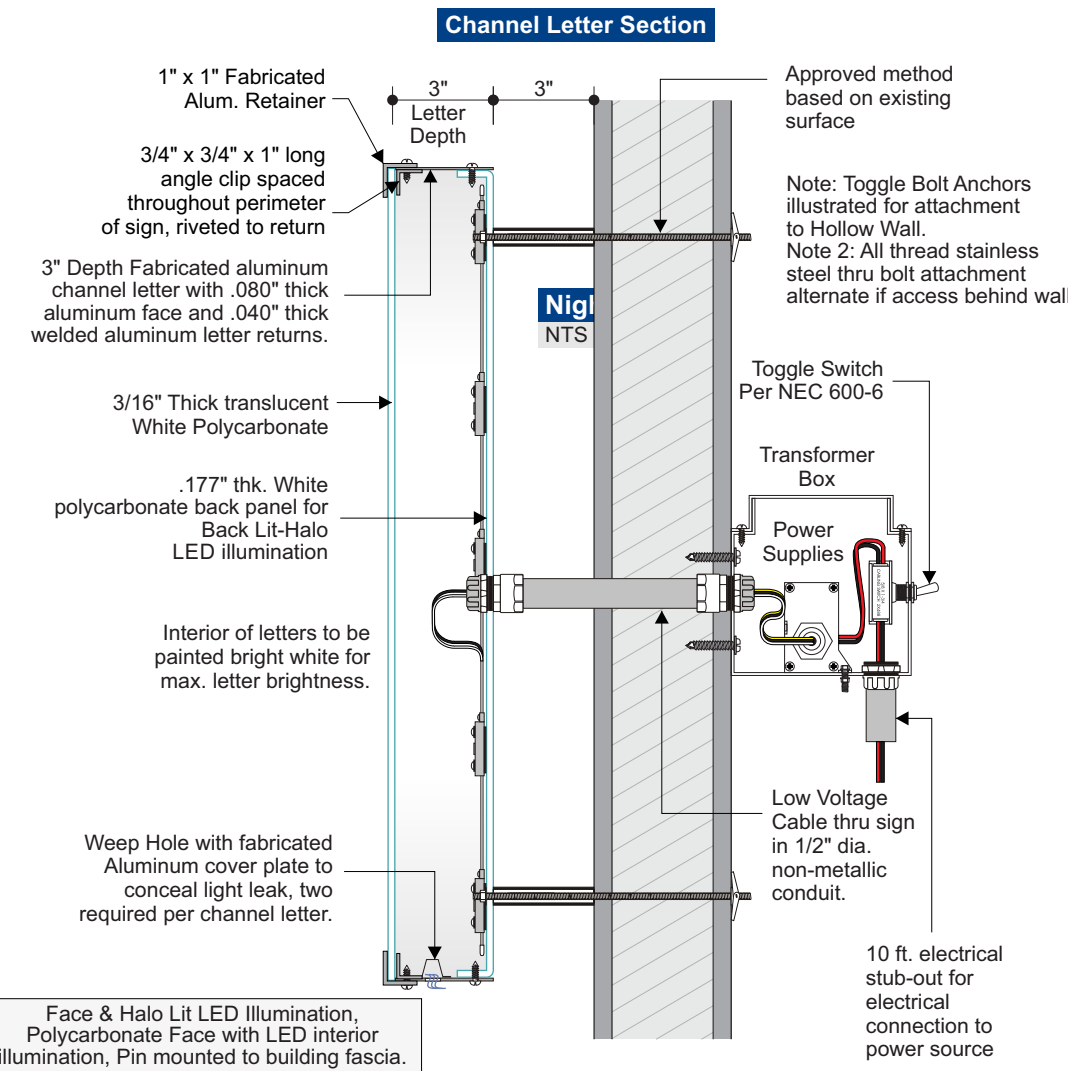
Vinyl Specifications

- 3M 3630-144 Poppy Orange
- Print to Match PMS Black C
- 3M Print Vinyl

Color Specifications

- Black (Gloss Finish)
 - .177" thk. White Polycarbonate
- All paint finishes to be Satin unless otherwise specified

Typical Installation



Face & Halo Lit LED Illumination, Polycarbonate Face with LED interior illumination, Pin mounted to building fascia.

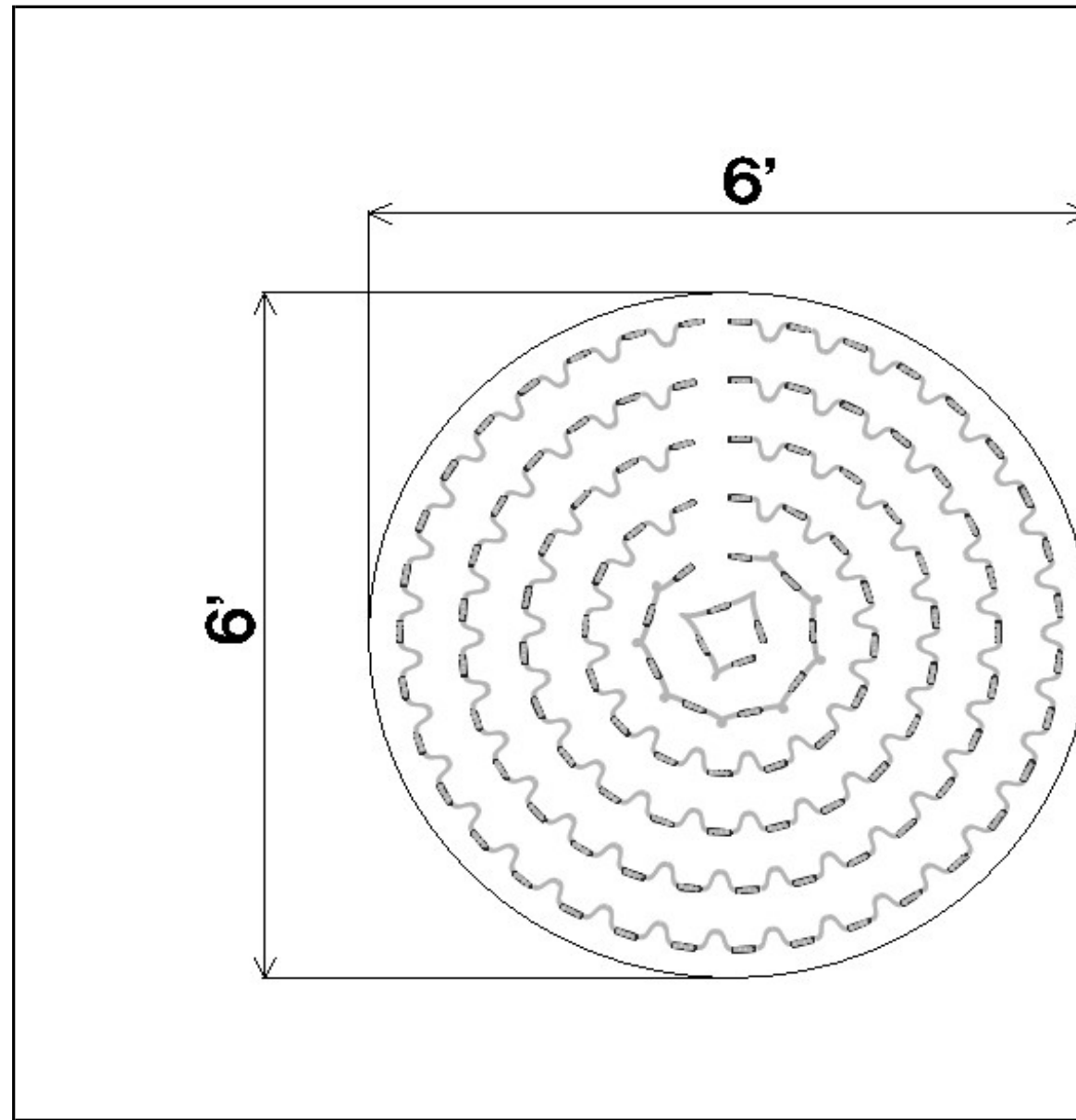
#	Date	Description	Initial
1	3/30/22	Add Pylon/Readerboard	AB
2	05/04/22	Delete channels/alter pylon/	AB
3	07/13/22	Remove Product	T.F.D.
4	08/17/22	Change Portal sizes	AB
5	08/17/22	change measurements	AB
6	08/23/22	change even more measurements	AB

Client Review Status

Allen Industries, Inc. requires that an approved drawing be obtained from the client prior to any production release or production release revision.

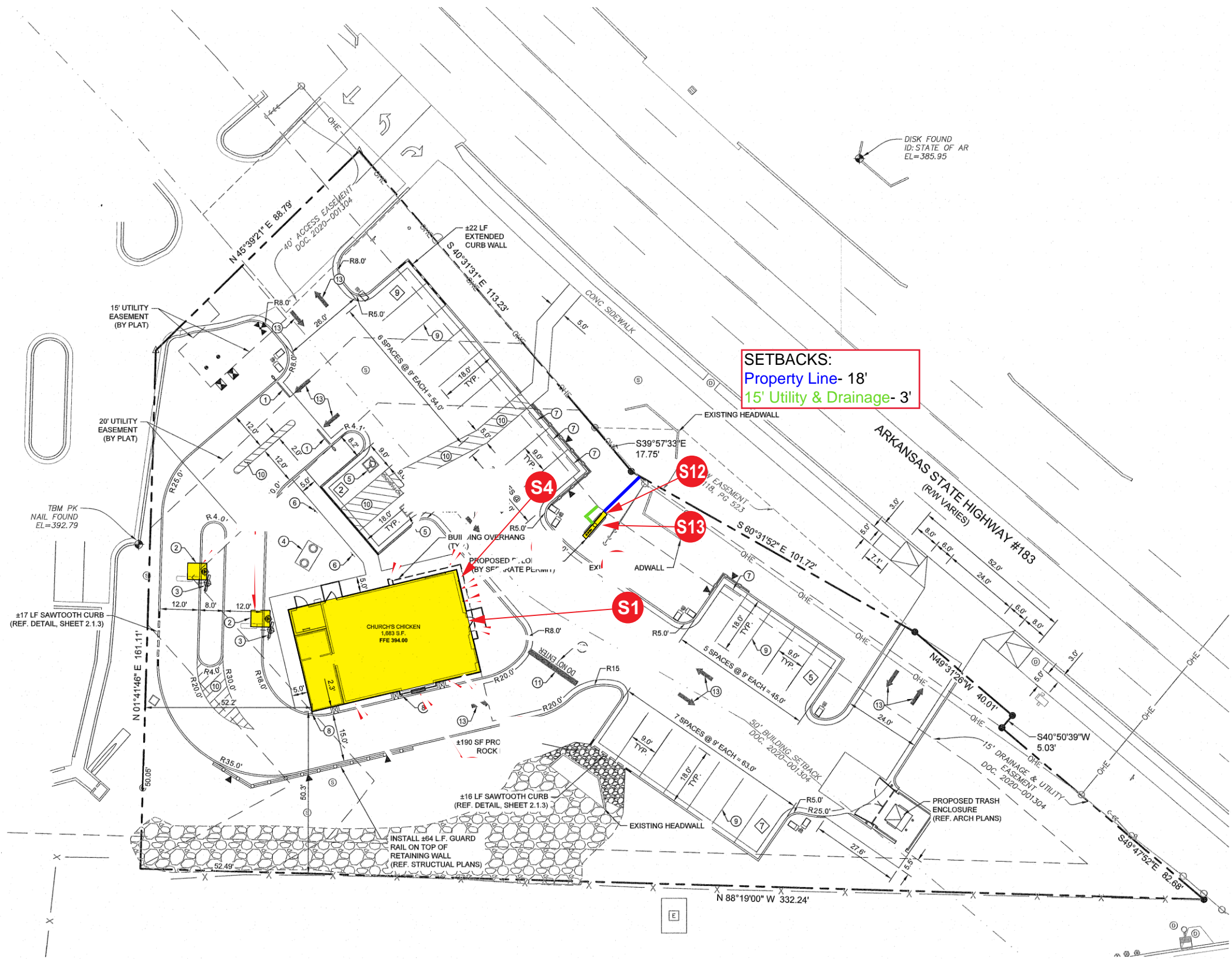
Client Signature: Approval Date:

S1 72" Puck Wall Sign Face Lit & Halo Lit
LED Layout



Material Breakdown		
MAX 71K (24V) Small	Modules	24V P/S
CHURCH'S LOGO	115	P/S 1

<p>1) THE GRAPHICS ABOVE ARE FOR REFERENCE ONLY and should not be used for commercial quotation or bid without validation. The material estimates for Tetra® LED Systems are based upon our engineering standards and information provided pertaining to font, letter height, can depth, face material, and any special instructions provided by the customer. Missing information will cause delays in delivery of estimates as well as affect product selection, quantities, application, and illumination.</p> <p>2) LED MODULE PLACEMENT AND QUANTITY IS AN APPROXIMATION ONLY. The sign manufacturer must verify module placement and quantity to ensure even illumination.</p> <p>3) Final material quantities for estimation purposes and construction are the responsibility of the sign OEM.</p> <p>4) All signs should be tested as complete units (including correct Tetra® power supply) before installation for acceptable color, illumination, intensity, & functionality.</p> <p>5) For detailed information refer to the applicable Tetra® product found under Signage; https://products.gecurrent.com/led-signage-lighting</p>	Sign Type SINGLE SIDED CABINET		Illumination FACE & HALO LIT		Primary Circuit (120 VAC) 1.1 Amps		SKU 93098199		Description GEMX2471-W1S		Name MAX 71K (24V) Small		Quantity 115 Modules 77 Ft	
	Can Depth 3"		LED Distance From Face N/A		Power Supply Location REMOTE		Sign Area 28.25 Sq Ft		Total Module Watts 71.76 Watts		GEPS24-100U-GLX2 100W - 24V (GLX2)		Quantity 1 Ea	
	Special Instructions ESTIMATE FOR ONE SIDE OF SIGN ONLY 24V MAX (8.0" OC): TO BE INSTALLED @ 6.0" OC		Notes		Energy Usage 83.95 Watts		Total Lumens 11500.00 Lumens		191600041 or 192160004 9409 191600041		Wire Connector 18 AWG Supply Wire		Quantity 20 Ea 70 Ft	
	Watts/Sq Ft 2.97 Watts/Sq Ft		Wire End Cap		407.08 Lumens/Sq Ft		191600041		20 Ea		20 Ea		20 Ea	
	TECHNICAL SUPPORT: 888-694-3533 EMAIL: tetradrawings@gecurrent.com						Drawn By: MK Checked By: DM Date: 3/22/22		Job Name: Church's Customer Name:		Drwg #: 094028 - 01		Rev - PAGE 1 of 1	



BUILDING ELEVATION - FRONT:
 S1 (1) 6' DIAMETER "CHURCH'S" PUCK SIGN - FACE & HALO LIT

S4 (1) 11' X 24' ILLUMINATED ACM PORTAL W/ "BTF" PUSH THRU LETTERS

Additional Signs - Not shown
 S12 (1) 30' OAH 6' D/F PYLON
 S13 (1) DF 3' x 6' READERBOARD



#	Date	Description	Initial
1	3/30/22	Add Pylon/Readerboard	AB
2	05/04/22	Delete channels/alter pylon/	AB
3	07/13/22	Remove Product	T.F.D.
4	08/17/22	Change Portal sizes	AB
5	08/17/22	change measurements	AB
6	08/23/22	change even more measurements	AB

E/W Elev.

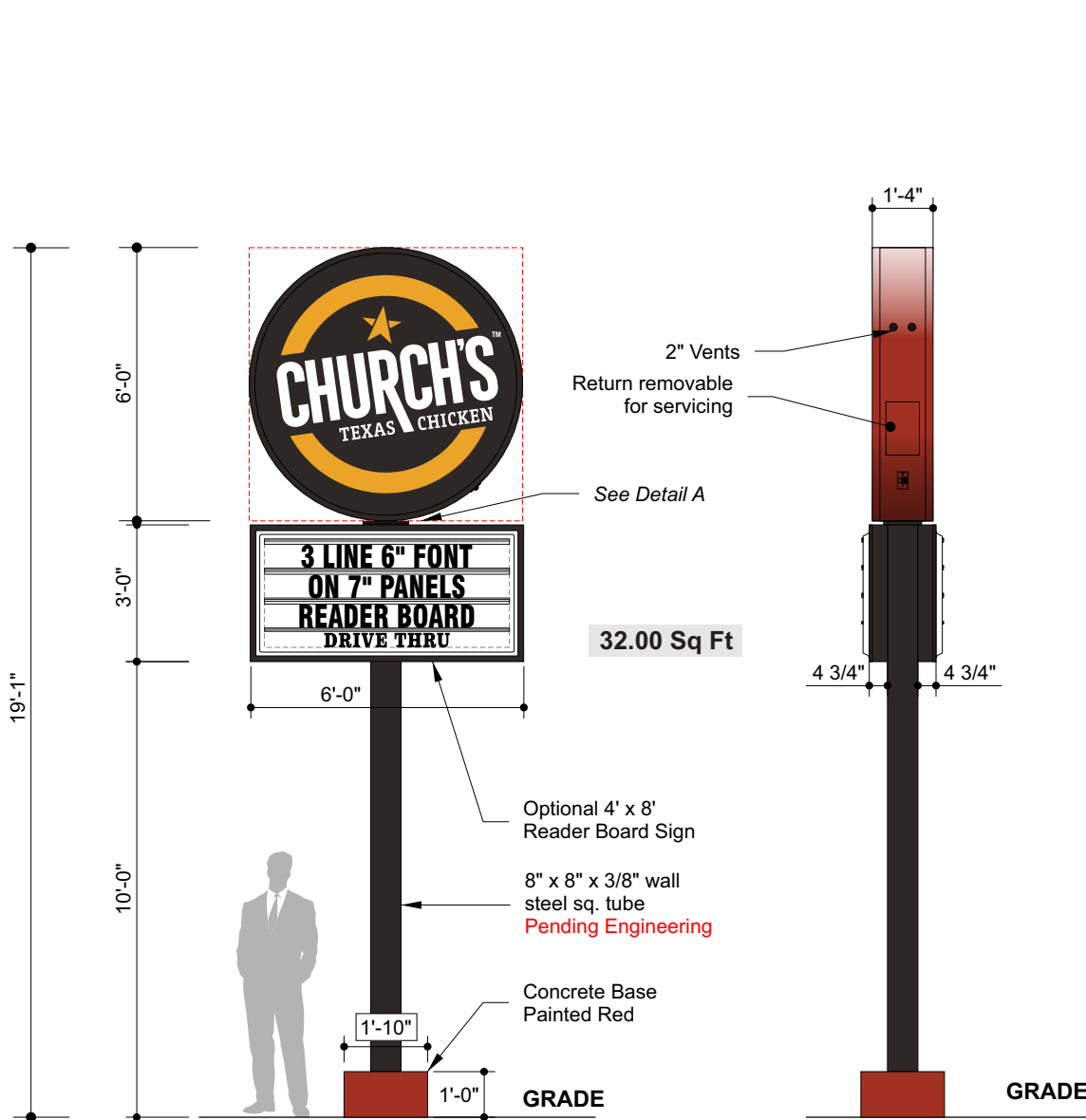
S12 & S13 6'-0" D/F Pylon Sign & 3'x6' Readerboard

New Structure

NON-STANDARD

FIELD SURVEY REQUIRED
Prior to Release to Production

DESIGN INTENT ONLY
Engineering Required to Determine Actual Production & Installation Requirements



Front Elevation
Scale: 1/4"=1'-0"

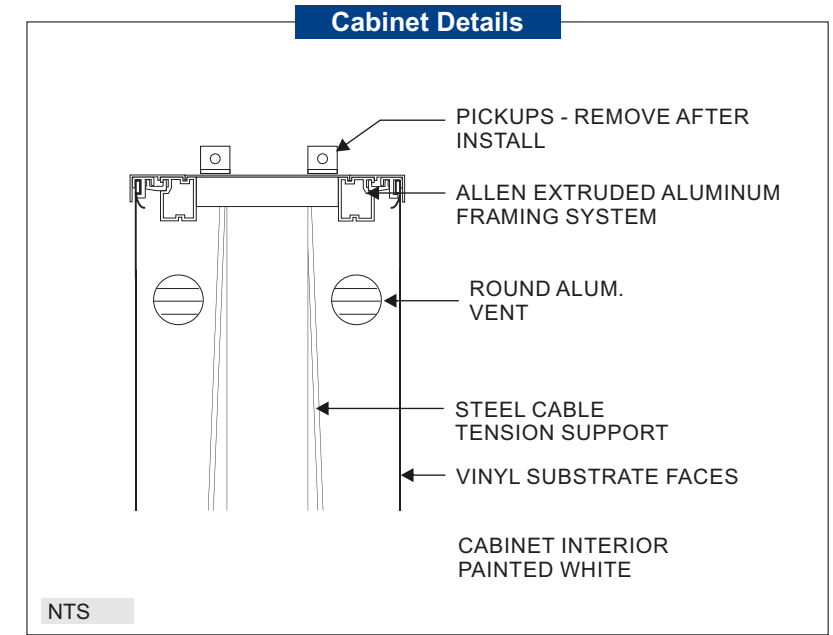
Side Elevation
Scale: 1/4"=1'-0"



Front Elevation
Scale: 3/4"=1'-0"



Night View
No Scale



Cabinet Details

General Specifications

- Face:** 3M Panaflex Vinyl
- Graphics:** 1st surface applied vinyl graphics
- Cabinet:** Extruded Alum. Frame, skinned with .080" thk. Alum. - Red
- Illum:** White LEDs as required by manufacturer, Self-contained power supplies
- Electrical:** Actual # of Circuits to be determined by Licensed Electrical Contractor, (1) 20 AMP Circuit, 120 Volts
- Install:** Installed on new steel pole structure
- Quantity:** (1) ONE

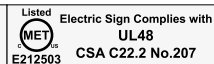
Color Specifications

- Black (Gloss Finish)
- PMS 484 C
- 3M Panagraphics III

All paint finishes to be Satin unless otherwise specified

Vinyl Specifications

- 3M 3630-144 Poppy Orange Print to Match PMS Black C
- 3M Print Vinyl



THIS SIGN IS INTENDED TO BE INSTALLED IN ACCORDANCE WITH THE REQUIREMENTS OF ARTICLE 600 OF THE NATIONAL ELECTRICAL CODE AND/OR OTHER APPLICABLE LOCAL CODES. THIS INCLUDES PROPER GROUNDING AND BONDING OF THE SIGN.



Allen Industries
YOUR BRAND AT ITS BEST™
1-800-967-2553
www.allenindustries.com

Copyright © 2022 Allen Industries, Inc. This is an original, unpublished drawing, created by Allen Industries, Inc. This drawing is submitted to you in confidence for your use solely in connection with the project being planned for you by Allen Industries, Inc. and is not to be shown to anyone outside your organization, nor used, reproduced, copied or exhibited in any fashion whatsoever. The designs shown on the drawing (except for any registered trademarks that may belong to a client of Allen Industries, Inc.) remain the property of Allen Industries, Inc.

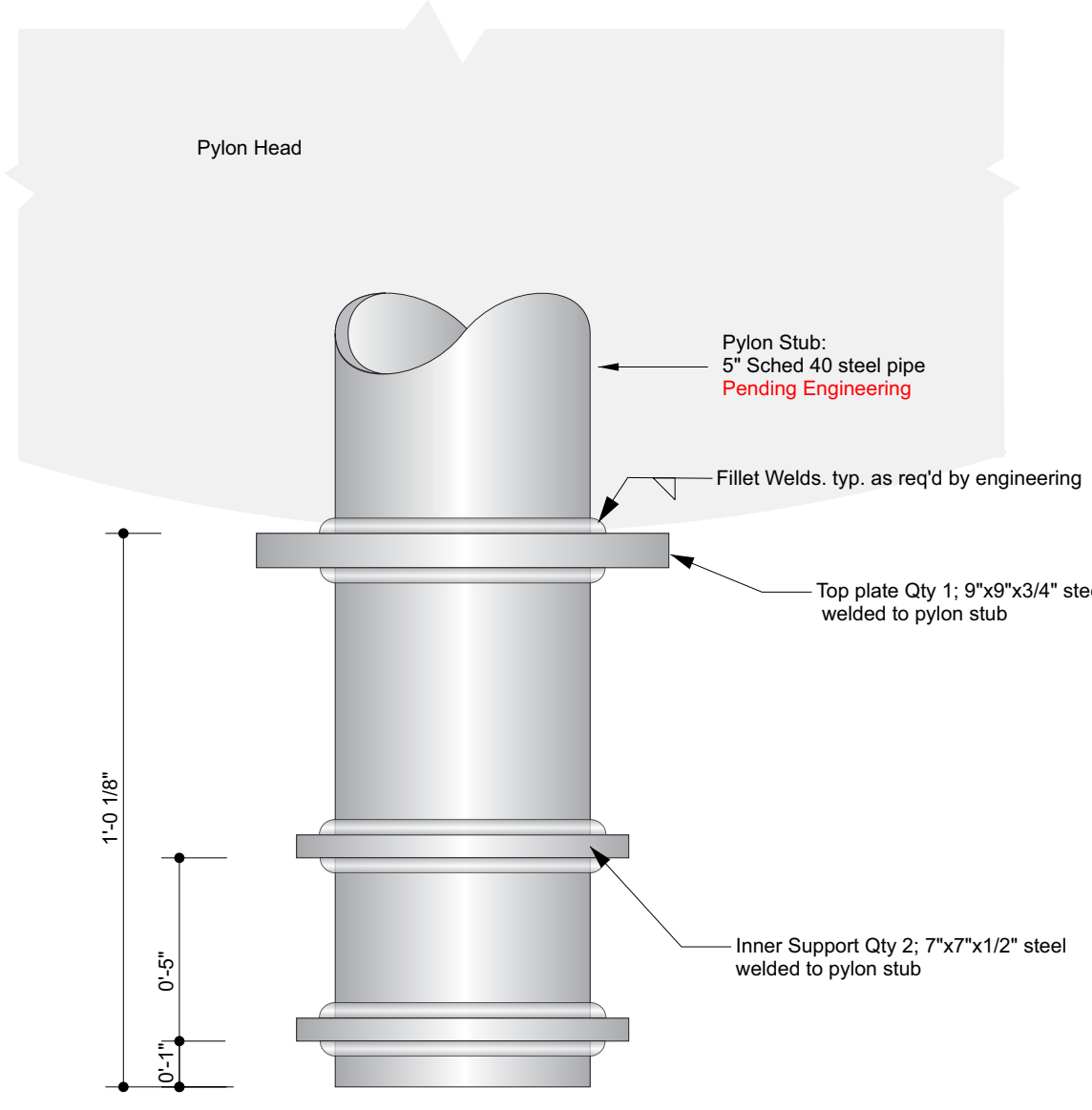
Amplifier Chicken LLC - Church's
Address:
1905 N Reynolds Rd,
Bryant, AR 72022

Date: 03/30/22 Page #: 28 of 33
File Name: CHUR-F.574_Bryant_AR_306
Sales: House Design: AB PM: JB

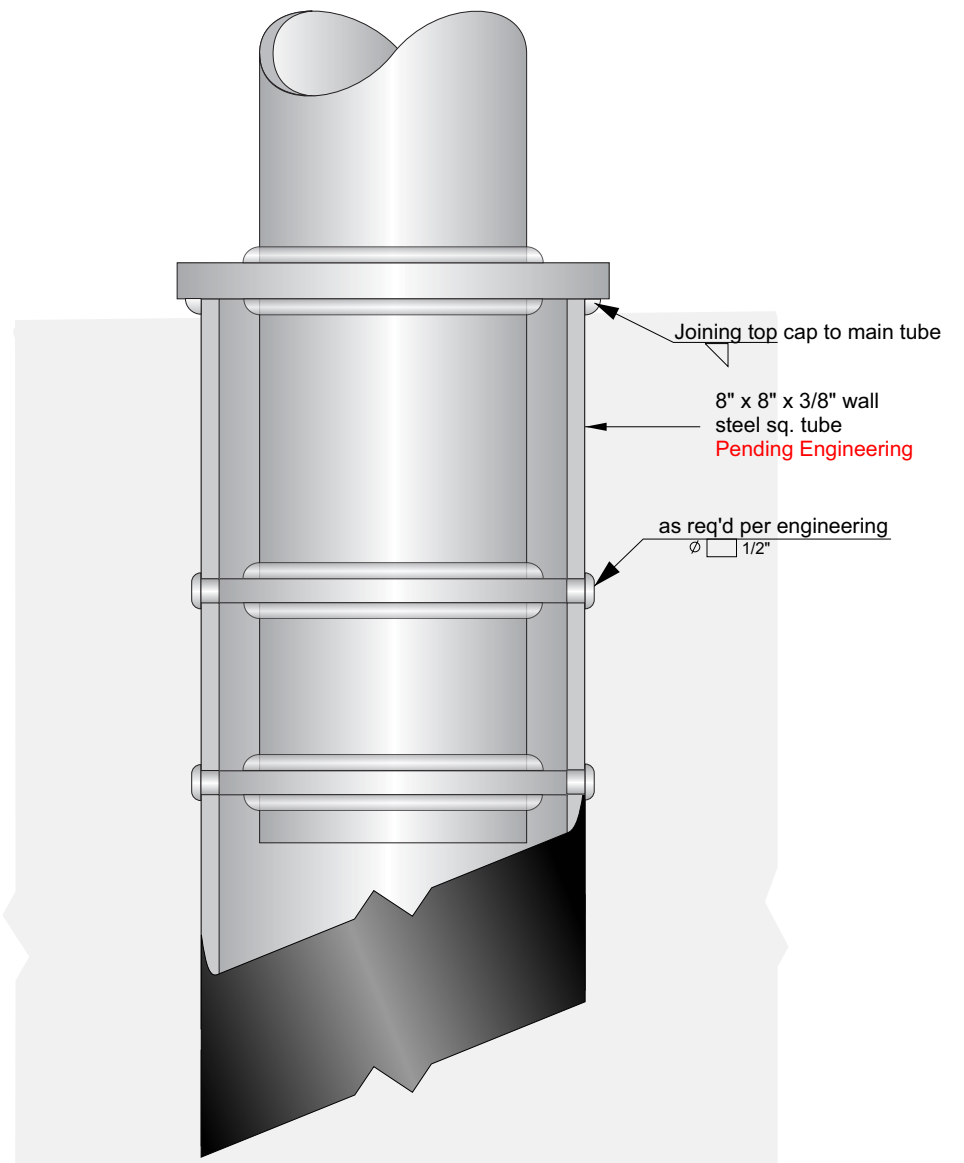
#	Date	Description	Initial
1	3/30/22	Add Pylon/Readerboard	AB
2	05/04/22	Delete channels/alter pylon/	AB
3	07/13/22	Remove Product	T.F.D.
4	08/17/22	Change Portal sizes	AB
5	08/17/22	change measurements	AB
6	08/23/22	change even more measurements	AB

Client Review Status
Allen Industries, Inc. requires that an approved drawing be obtained from the client prior to any production release or production release revision.
Client Signature: _____ Approval Date: _____

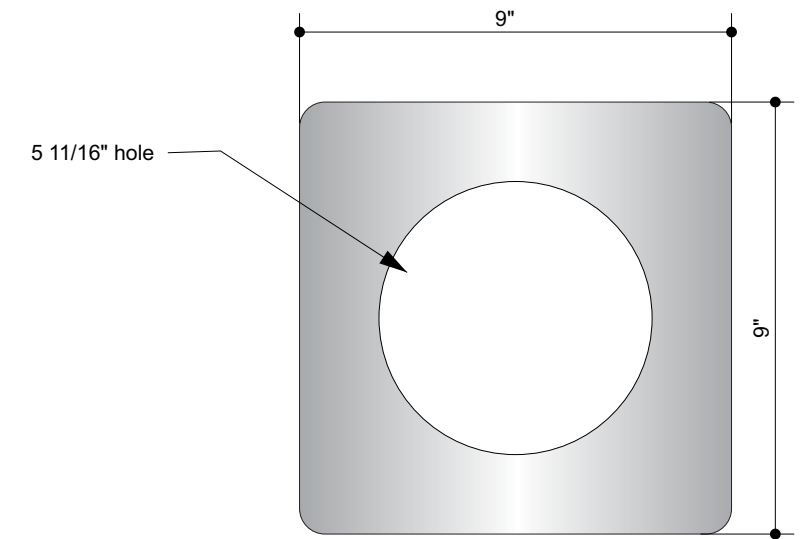
NON-STANDARD



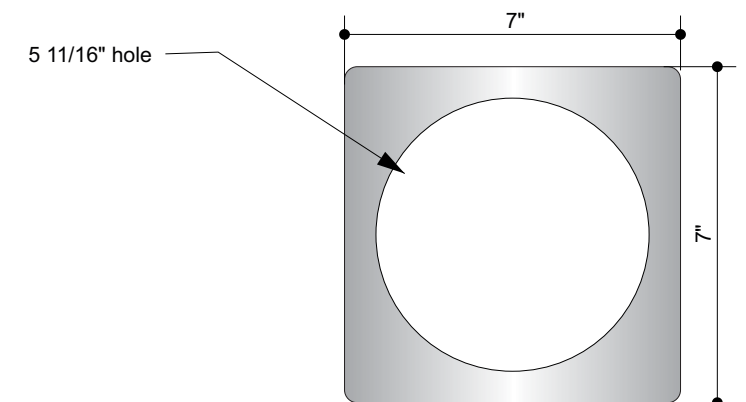
Detail A - Pylon Stub
Scale: 3"=1'-0"



Detail A - as assembled
Scale: 3"=1'-0"



Top Plate
Scale: 3"=1'-0"



Inner Support - 2 req'd
Scale: 3"=1'-0"



Front Elevation
Scale: 3/4"=1'-0"

Vinyl Specifications	
	3M 3630-144 Poppy Orange
	Print to Match PMS Black C
	3M Print Vinyl

Color Specifications	
	3M Panagraphics III

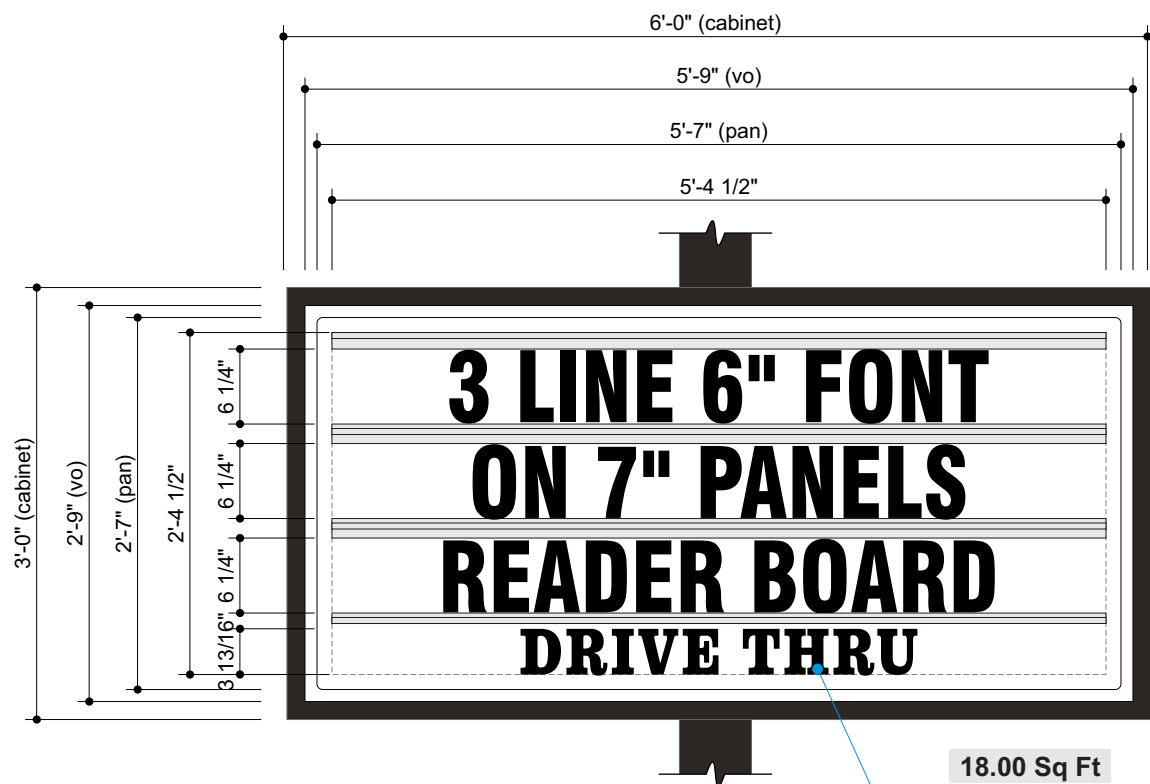
#	Date	Description	Initial
1	3/30/22	Add Pylon/Readerboard	AB
2	05/04/22	Delete channels/alter pylon/	AB
3	07/13/22	Remove Product	T.F.D.
4	08/17/22	Change Portal sizes	AB
5	08/17/22	change measurements	AB
6	08/23/22	change even more measurements	AB

Client Review Status	
Allen Industries, Inc. requires that an approved drawing be obtained from the client prior to any production release or production release revision.	
Client Signature:	Approval Date:

LED Illuminated

FIELD SURVEY REQUIRED
Prior to Release to Production

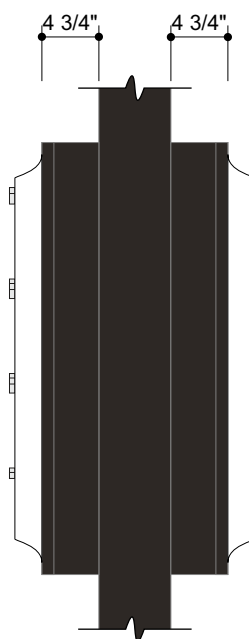
DESIGN INTENT ONLY
Engineering Required to
Determine Actual Production
& Installation Requirements



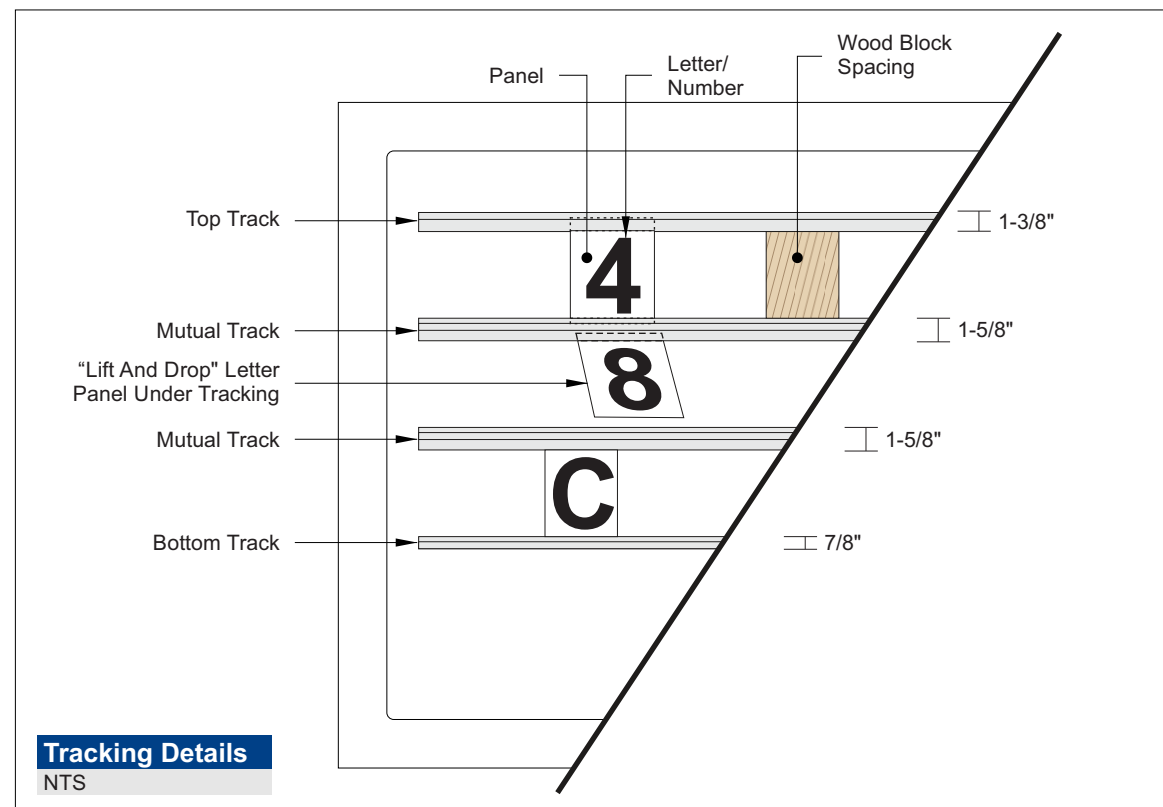
Front Elevation
Scale: 3/4"=1'-0"

18.00 Sq Ft

1st surface applied
Black Opaque Vinyl



Side Elevation
Scale: 3/4"=1'-0"



Tracking Details
NTS

General Specifications

- Face:** .177" thk. White, 2 1/4" deep, pan-formed, polycarbonate
- Tracking:** 1st surface applied Zip-change tracking system with changeable font panels
- Cabinet:** Welded Alum. Frame, skinned with .080" thk. Alum. - Black (Gloss Finish)
- Illum:** White LEDs as required by manufacturer, Self-contained power supplies
- Electrical:** Actual # of Circuits to be determined by Licensed Electrical Contractor, (1) 20 AMP Circuit, 120 Volts
- Install:** Installed on steel pole structure
- Quantity:** (2) TWO

Vinyl Specifications

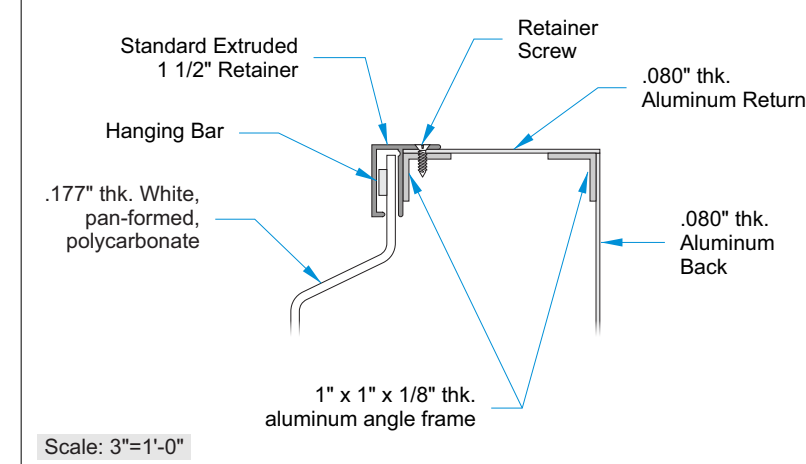
- 3M 7725-12 Opaque Black

Color Specifications

- Black (Gloss Finish)
- .177" thk. White Polycarbonate

All paint finishes to be Satin unless otherwise specified

Retainer Details



Scale: 3"=1'-0"



Electric Sign Complies with UL48

THIS SIGN IS INTENDED TO BE INSTALLED IN ACCORDANCE WITH THE REQUIREMENTS OF ARTICLE 600 OF THE NATIONAL ELECTRICAL CODE AND/OR OTHER APPLICABLE LOCAL CODES. THIS INCLUDES PROPER GROUNDING AND BONDING OF THE SIGN.



Amplifier Chicken LLC - Church's

Address:
1905 N Reynolds Rd,
Bryant, AR 72022

Date: 03/30/22 Page #: 32 of 33

File Name:
CHUR-F.574_Bryant_AR_306

Sales: House Design: AB PM: JB

#	Date	Description
1	3/30/22	Add Pylon/Readerboard
2	05/04/22	Delete channels/alter pylon/
3	07/13/22	Remove Product
4	08/17/22	Change Portal sizes
5	08/17/22	change measurements
6	08/23/22	change even more measurements

Initial	Client Review Status
AB	Allen Industries, Inc. requires that an approved drawing be obtained from the client prior to any production release or production release revision.
AB	
T.F.D.	
AB	
AB	
AB	
AB	

Client Signature: _____ Approval Date: _____

