



## **Bryant City Council**

Boswell Municipal Complex - City Hall Court Room

210 SW 3rd Street

YouTube: <https://www.youtube.com/c/bryantarkansas>

**Date:** April 26, 2022 - **Time:** 6:30 PM

### **Invocation**

### **Pledge of Allegiance**

### **Call to Order**

### **Approval of Minutes**

#### **1. Approval of Minutes - Approval of March 29th, 2022 City Council Meeting Minutes.**

- [Unapproved Council Meeting Minutes March 29 2022.pdf](#)

### **Presentations and Announcements**

### **Director's Report**

### **Public Comments**

### **Old Business**

#### **City Attorney**

#### **2. Resolution to make Bryant a Pro-Life City - A Resolution Affirming the Commitment of the City of Bryant, Arkansas to Protecting the Unalienable Right of Life of Every Person; and Declaring the City of Bryant, Arkansas to be a Pro-Life City**

*Resolution sponsored by Council Member RJ Hawk*

- [Resolution to make Bryant a Pro-Life City.pdf](#)

#### **Community Development**

#### **3. Ordinance - Amendment to Boring Specifications - An ordinance to Amend Ordinance No. 2013-04 to Add Sections H, I, J, K, L, M, and N with Emergency Clause.**

*Requested update to permitting process for boring in City of Bryant Right of Way.*

- [Ordinance to Amend 2013-04 Sections H-N.pdf](#)

## New Business

### Finance

#### 4. Monthly Financial Report - 2022 March Year to Date

*Presentation and Approval (see attachment) including General Fund Q1 Revenue Review (see attachment)*

- [04.13.22 March Ending Financial Report.pdf](#)
- [2022 Quarter 1 Revenue.pdf](#)

#### 5. Budget Adjustments - 2022 April Proposed Adjustments

*Resolution to Approve Budget Adjustments to the City 2022 Budget (see attachment)*

- [04.12.22 Budget Adjusts.pdf](#)

### City Attorney

#### 6. Lease Agreement with Bryant Historical Society - Agreement to Lease City Building located at 200 SW 3rd Street

*Notice of Intent: The Bryant Historical Society would like to enter into an agreement with the City for the old fire station property. Both city and the Historical Society have agreed on terms.*

- [Bryant Historical Society Lease.pdf](#)

### Engineering/Construction

#### 7. Request to Waive Competitive Bidding - An Ordinance to Waive the Competitive Bidding Process for Road Bore and Piping Services to Reconnect Water Main at Hill Farm and Reynolds (HI83) Road, With Emergency Clause

- [Ordinance to waive competitive bidding for Hill Farm Reynolds Road Bore.pdf](#)
- [Bryant - Hill Farm Rd - Emergency 8 inch Waterline Relocation Bid Proposal.pdf](#)

### Fire Department

#### 8. Open Burning Ordinance - Discussion Only - Review of Proposed Revisions to Current Open Burning Ordinance

*Attachment shows proposed revisions*

- [Open Burning ord suggested Revisions \(1\).pdf](#)

### Human Resources

#### 9. Resolution - Inventory and Acquisition Manager - Resolution regarding an updated position description and compensation plan for a Public Works Inventory and Acquisition Manager

*A review of the vacant Inventory Control Coordinator, resulting in an upgraded position with added responsibilities.*

- [Inventory and Acquisition Manager - PW - 33392.pdf](#)
- [Resolution - PW Inventory and Acquisition Manger.pdf](#)

#### 10. Resolution - Water Field Supervisor - A resolution regarding a new position description and compensation plan for a Water Field Supervisor

*Absorbing vacant Pumps and Controls Manager to create a new position of Water Field Supervisor.*

- [Resolution - Water Field Supervisor.pdf](#)
- [Water Field Supervisor - proposed 2022.pdf](#)

## Council Comments

## Mayor Comments

## Adjournments

**RESOLUTION NO. 2021-\_\_\_\_**

**A RESOLUTION AFFIRMING THE COMMITMENT OF THE CITY OF BRYANT, ARKANSAS TO PROTECTING THE UNALIENABLE RIGHT OF LIFE OF EVERY PERSON; AND DECLARING THE CITY OF BRYANT, ARKANSAS TO BE A PRO-LIFE CITY**

**WHEREAS**, the Declaration of Independence declares that all men are created equal, and that they are endowed by their Creator with certain unalienable rights, including the right to life, and;

**WHEREAS**, Amendment 68 to the Arkansas Constitution states that the policy of the State of Arkansas is to protect the life of every unborn child from conception until birth; and;

**WHEREAS**, it is the duty of state and local governments to protect the unalienable right to life of every person within their respective jurisdictions; and;

**WHEREAS**, the United States Supreme Court stated in *Poelker v. Doe*, 432 U.S. 519 (1977), that the United States Constitution does not forbid a municipality, pursuant to democratic processes, from expressing a preference for normal childbirth instead of abortion;

**NOW, THEREFORE, BE IT RESOLVED** by the City Council of the City of Bryant, Arkansas:

Section 1: It is the policy of the City of Bryant to promote and protect the dignity and humanity of all persons at all stages of life from conception until natural death.

Section 2: The City of Bryant declares itself to be a Pro-Life City.

**PASSED AND APPROVED** this \_\_\_\_\_ day of February, 2022.

**APPROVED:**

\_\_\_\_\_  
Allen E. Scott, Mayor

ATTEST:

\_\_\_\_\_  
City Clerk

**ORDINANCE NO.: 2022-\_\_**

**AN ORDINANCE TO AMEND ORDINANCE No. 2013-04 TO ADD SECTIONS H, I, J, K, L, M, AND N WITH EMERGENCY CLAUSE**

**WHEREAS**, cities of the first class are empowered by Act 186 of 1957, as amended and codified in the Arkansas Code, Annotated(A.C.A) in S 14-56-401, et seq. to adopt and enforce a plan or plans for the coordinated, adjusted, and harmonious development of themselves and their environs; and

**WHEREAS**, it is necessary for the City to amend the minimum specifications for streets when needed to ensure our standards evolve in a way to have the least amount of traffic and quality reductions of the streets and utilities for our citizens ;

**NOW, THEREFORE, BE IT ORDAINED BY THE CITY COUNCIL OF THE CITY OF BRYANT, ARKANSAS:**

**Section 1: Amendment to Ordinance 2013-04**

Ordinance 2013-04 is hereby amended by adding section “Utilities and Utility Crossings” subheadings General sections H, I, J, K, L, M, and N.

**Section 2: Provisions Severable**

If any provision of this Ordinance or the application thereof to any person or circumstance is held invalid, such invalidity shall not affect the other provisions or applications of this Ordinance which can be given effect without the invalid provision or application, and to this end, the provisions of the Ordinance are hereby declared to be severable.

**Section 4: Repealer**

All ordinances and resolutions and parts thereof in conflict with the provisions of this Ordinance are hereby repealed to the extent of such conflict.

**Section 5: Emergency Declared.**

This Ordinance is necessary to preserve the public peace, health, safety and welfare, an emergency is declared to exist and this Ordinance shall be in full force and effect from and after the date of its passage.

**PASSED AND APPROVED THIS \_\_\_\_ DAY OF APRIL, BY THE CITY COUNCIL OF BRYANT, ARKANSAS.**

Attest:

\_\_\_\_\_  
Allen Scott, Mayor

\_\_\_\_\_  
Mark Smith, City Clerk

H. Permits - A permit shall be issued for a maximum of 1000 linear feet. Permits shall be valid for 6 months from the date of issuance. The contractor shall notify the Streets department locator at least five working days in advance of the anticipated start of construction. A permit shall not be issued to any company, contractor, or subcontractor that is not in good standing with the City; including, but not limited to, is under a stop work order or has unpaid fines or restitution to the City.

I. Yard and Landscaping - All surfaces including lawns, pavements, sidewalks, curbs, berms, and other surfaces disturbed during the construction of this project shall be restored by the contractor to the original or better condition. All restoration, including lawns, pavements, sidewalks, curbs, berms, trees, and shrubs shall be warranted for a period of one year from the acceptance of restoration. It is the City's expectation that restoration shall be completed within no more than 15 days after the completion of construction.

J. Trees - It is the intent that trees shall be preserved. The contractor will be responsible for any claim for damage to trees. Trees needing to be removed require the prior approval of the City.

K. Private Utilities - Privately owned utilities may be located within the City-owned ROW and easements. These improvements include (but are not limited to) sanitary sewer laterals and water services. These private utilities are not located by the City of Bryant, it is the Contractor's responsibility to locate these utilities prior to work being done. The Contractor is responsible for any damage to private utilities and shall begin restoration immediately upon discovery.

L. City Owned Utilities - Any damage to City Utilities shall be reported to the Bryant Public Works Department immediately. Bryant Public Works shall be reimbursed for any and all costs associated with repairing said damages.

M. Stop Work Order - The Director of Public Works, the Director of Community Development or their designees has the authority to issue a stop work order. A stop work order will be issued in the following circumstances:

- a. Working without a permit or with an expired permit.
- b. Disruption of service of private utilities (including but not limited to water, sewer, gas, electrical, and communications) without immediate restoration.
- c. Any violation of this ordinance.
- d. Unsafe working conditions or unsafe site management.

N. Fine - A five hundred (\$500) fine shall be imposed for any company, contractor or subcontractor working after a stop work order has been issued. For every subsequent violation, the fine shall be doubled the price of the previous fine. The Director of Public Works or the Director of Community Development has the authority to issue fines.



Financial Statements  
March 2022



## General - Executive Summary Revenue & Expenditures

March 2022

	Annual Budget	YTD Budget	Actual YTD												Favorable (Unfavorable) Variance	Annual Budget Remaining		
			January	February	March	April	May	June	July	August	September	October	November	December			Total	
<b>Revenues:</b>																		
General	17,171,705	4,292,926	1,332,368	1,266,447	1,428,868	0	0	0	0	0	0	0	0	0	0	4,027,682	(265,244)	13,144,023
Administration	6,987,736	1,746,934	597,236	540,525	551,446											1,689,208	(57,726)	5,298,528
Community Development	566,120	141,530	71,128	49,843	40,981											161,952	20,422	404,168
Animal Control	629,334	157,334	51,599	51,421	51,251											154,271	(3,063)	475,063
Court	743,420	185,855	27,852	47,909	102,573											178,335	(7,520)	565,085
Parks	2,390,621	597,655	151,482	140,980	174,038											486,500	(131,155)	1,924,121
Fire	3,767,410	941,853	309,288	309,903	311,217											930,408	(11,444)	2,837,002
Police	2,087,064	521,766	123,782	125,865	197,362											447,009	(74,757)	1,640,055
<b>Total Revenues</b>	<b>17,171,705</b>	<b>4,292,926</b>	<b>1,332,368</b>	<b>1,266,447</b>	<b>1,428,868</b>											<b>4,027,682</b>	<b>(265,244)</b>	<b>13,144,023</b>
<b>Expenditures:</b>																		
General	18,798,749	4,699,687	1,644,663	1,232,238	1,319,114											4,196,015	503,673	14,602,734
Administration	1,217,507	304,377	69,286	109,732	81,308											260,327	44,050	957,180
Community Development	814,717	203,679	67,412	45,956	40,531											153,899	49,781	660,819
Animal Control	843,696	210,924	40,580	45,631	47,392											133,603	77,321	710,093
Court	509,826	127,457	38,699	36,078	37,008											111,785	15,671	398,041
Parks	3,270,963	817,741	191,841	205,223	284,744											681,808	135,932	2,589,154
Fire	4,864,272	1,216,068	408,151	345,945	334,657											1,088,753	127,315	3,775,519
Police	7,277,768	1,819,442	828,693	443,673	493,473											1,765,839	53,603	5,511,929
<b>Total Expenditures</b>	<b>18,798,749</b>	<b>4,699,687</b>	<b>1,644,663</b>	<b>1,232,238</b>	<b>1,319,114</b>											<b>4,196,015</b>	<b>503,673</b>	<b>14,602,734</b>
<b>Excess (Deficit) of Revenues over Expenditures</b>	<b>(1,627,044)</b>	<b>(406,761)</b>	<b>(312,295)</b>	<b>34,209</b>	<b>109,754</b>											<b>(168,332)</b>		

## Street - Executive Summary Revenue & Expenditures

	Annual Budget	YTD Budget	Actual YTD												Favorable (Unfavorable) Variance	Annual Budget Remaining		
			January	February	March	April	May	June	July	August	September	October	November	December			Total	
<b>Revenues:</b>																		
Street	4,341,143	1,085,286	335,709	387,722	283,685											1,007,117	(78,169)	3,334,026
<b>Total Revenues</b>	<b>4,341,143</b>	<b>1,085,286</b>	<b>335,709</b>	<b>387,722</b>	<b>283,685</b>											<b>1,007,117</b>	<b>(78,169)</b>	<b>3,334,026</b>
<b>Expenditures:</b>																		
Street	6,602,882	1,650,720	352,954	341,029	307,124											1,001,107	649,614	5,601,775
<b>Total Expenditures</b>	<b>6,602,882</b>	<b>1,650,720</b>	<b>352,954</b>	<b>341,029</b>	<b>307,124</b>											<b>1,001,107</b>	<b>649,614</b>	<b>5,601,775</b>
<b>Excess (Deficit) of Revenues over Expenditures</b>	<b>(2,261,739)</b>	<b>(565,435)</b>	<b>(17,245)</b>	<b>46,693</b>	<b>(23,439)</b>											<b>6,010</b>		



# Water/Wastewater - Executive Summary Revenue & Expenditures

March 2022

	Annual Budget	YTD Budget	March 2022												Actual YTD Total	YTD Favorable (Unfavorable) Variance	Annual Budget Remaining		
			January	February	March	April	May	June	July	August	September	October	November	December					
<b>Revenues:</b>																			
R50 Sales of Services	10,960,035	2,740,009	717,704	789,375	799,565												(433,364)	8,653,391	
R60 Misc Rev	94,700	23,675	17,039	3,200	20,911												17,474	53,551	
R62 Intergovernmental	8,749,000	2,187,250	949,544	1,116,956	527,677												406,927	6,154,823	
R66 Sale of Equipment	0	0	16	13	27												55	(55)	
<b>Total Revenues</b>	<b>19,803,735</b>	<b>4,950,934</b>	<b>1,684,302</b>	<b>1,909,544</b>	<b>1,348,179</b>	<b>0</b>	<b>0</b>	<b>0</b>	<b>0</b>	<b>0</b>	<b>0</b>	<b>0</b>	<b>0</b>	<b>0</b>	<b>0</b>	<b>0</b>	<b>(8,908)</b>	<b>14,861,709</b>	
<b>Expenditures:</b>																			
E01 Personnel Cost	2,942,770	735,693	197,690	158,305	157,870													221,827	2,428,904
E10 Building & Ground Exp	761,009	190,252	46,864	62,511	51,668													29,209	599,966
E20 Vehicle Expense	286,265	71,566	24,255	13,020	15,666													18,625	233,324
E30 Supply Expense	2,593,383	648,346	144,733	149,426	150,424													203,762	2,148,799
E40 Operations Expense	790,916	197,729	43,694	34,746	40,822													78,467	671,654
E55 Professional Services	197,906	49,477	350	6,658	32,113													10,356	158,785
E60 Miscellaneous	220,090	55,023	8,967	20,605	11,832													13,618	178,696
E62 Intergovernmental	8,749,000	2,187,250	898,034	1,065,447	476,168													(252,398)	6,309,352
E72 Bond Expense	118,000	29,500	9,138	9,138	9,138													2,085	90,585
E80 Fixed Assets	6,851,636	1,712,909	13,462	43,084	54,413													1,601,950	6,740,677
E85 Interest Expense	407,473	101,868	15,030	15,030	15,030													56,778	362,382
<b>Total Expenditures</b>	<b>23,918,448</b>	<b>5,979,612</b>	<b>1,402,219</b>	<b>1,577,971</b>	<b>1,015,144</b>	<b>0</b>	<b>0</b>	<b>0</b>	<b>0</b>	<b>0</b>	<b>0</b>	<b>0</b>	<b>0</b>	<b>0</b>	<b>0</b>	<b>0</b>	<b>1,984,279</b>	<b>19,923,114</b>	
<b>Excess (Deficit) of Revenues over Expenditures</b>	<b>(4,114,713)</b>	<b>(1,028,678)</b>	<b>282,084</b>	<b>331,574</b>	<b>333,035</b>	<b>0</b>	<b>0</b>	<b>0</b>	<b>0</b>	<b>0</b>	<b>0</b>	<b>0</b>	<b>0</b>	<b>0</b>	<b>0</b>	<b>0</b>	<b>0</b>	<b>946,692</b>	
Rev over Exp w/out Fixed Assets %	2,736,923	684,231	285,546	374,658	387,448	18%	20%	29%	#DIV/0!	#DIV/0!	#DIV/0!	#DIV/0!	#DIV/0!	#DIV/0!	#DIV/0!	#DIV/0!	0	1,057,651	21%
ACA 14-403-506 (2019)																			
Bond Liabilities Enterprise			51,510	51,510	51,510														154,529
Water/WW																			
510-0900-2602 last year																			
2011 510-0000-2907/2906	DeGray	110,749																	110,749
2012 510-0000-2908/2909	Water	4,484,889																	4,414,081
2017 510-0000-2905/2902	WW	6,071,222																	5,966,747
<b>Added to or taken out of Savings in Total, Utilities</b>			<b>177,406</b>	<b>226,896</b>	<b>228,357</b>	<b>0</b>	<b>0</b>	<b>0</b>	<b>0</b>	<b>0</b>	<b>0</b>	<b>0</b>	<b>0</b>	<b>0</b>	<b>0</b>	<b>0</b>	<b>0</b>	<b>632,659</b>	
Governmental																			
2016 185/186/003	Franchise/Sre	8,950,000	30,000	30,000	30,000														8,860,000
2016 187/114 estimate	Street - open	21,285,000	58,333	58,333	58,333														21,120,001
		44,316,860																	43,737,828

\* Starting in January of 2021 all Enterprise related funds 500-606 were added to this page previously it had shown only funds 500/510







**Governmental Funds Cash Reserves**

Updated 2/2/22

March 2022

120 days cash = \$4.9M									
<b>Funds:</b>	001	Gen Operating Acct	5,745,589	<b>Days</b>	141	Administration	39	Liabilities/Donations	1,808
	002	Sales Tax Fund	3,025,552		74	Animal Control	307,186		35,614
	005	Designated Tax	1,565,238		38	Parks	191,206		0
			10,336,379		253	Fire	427,085		217
			(180,418)		-4	Police	639,722		251
			(444,911)		-11	<b>GF Totals</b>	<b>1,565,238</b>		
		Springhill Fire Department (see details below)	(323,725)		-8				
		Emergency Telephone Service (See details below)	(134,063)		-3				
		Estimated to Exp with 2022 Approved Capital	(203,645)		-5				
		Placeholder for Parks Projects Approved April and July of 2021	9,049,617		222				
		Placeholder for General Ledger Software							

ACA 14-403-506

Designated Divided into Depts

**Springhill Fire Department Summary**

Beginning Balance (as of January 1, 2022)	\$ 185,216	<b>Emergency Telephone Service</b>	Beginning Balance (as of January 1, 2022)	\$ 371,629
2022 Revenue (Act 001-0510-4152)	\$ 772		2022 Revenue (Act 001-0610-4650)	\$ 73,580
2022 Expenses (Act 001-0510-5XXX all)	\$ 5,570		2022 Expenses (Act 001-0610-5650)	\$ 298
Current Balance as of this report ending date	\$ 180,418		Current Balance as of this report ending date	\$ 444,911

New Position amount deducted manually, start March 19, 2018  
Updated paid thru 12/31/2021

**Street Funds:**

120 days cash = \$1.6M updated 2/2/22				
080	Operating Acct	2,972,579		Budgeted Stormwater Projects include:
005	Designated Tax	529,947		Dogwood
	Capital	3,502,526	252	Augusta Cove
		3,285,664		Northlake
515	Stormwater Cap Cash	695,595		Unfunded
	Rolled Pos and Encumbrances	1,093,446		Cambridge
	Difference	(397,851)		Hilldale/Owen

\$646,424	Equipment - 5 major items		
\$567,387	Infrast- Storm and Regular		
\$1,331,681.42	Projects (Multi Year)		
\$740,170.45	Overlays		
<u>\$3,285,664</u>	Total Capital		



### Utility Cash Reserves

March 2022

Updated 2/2/22

120 days cash = \$6.1M

**Funds:**

500	Revenue Fund	899,366
510	Operating Fund	277,166
	Depreciation Fund	1,334,298
	Impact Fee Funds	466,823
		<b>2,977,652</b>

**Added 11/202C 525 (Minimum Balance of \$996K) \* \$996K is one year's worth of ANRC Debt Payments**

Reserved - Fixed Assets Infrastructure	510-0900-5816	500,000	10	interconnection with Benton, removed \$800K
Reserved - Fixed Assets Equipment	510-0900-5821	120,000	2	Main Cross Springhill Rd., removed \$800K
Reserved - Fixed Assets DeGray Agreeen	510-0900-5822	117,000	2	440 \$40K Meters, plus tank mixers and valves
Reserved - Fixed Assets Equipment	510-0950-5810	733,000	14	60 rolled Pos
Reserved - Fixed Assets Infrastructure	510-0950-5816	2,762,281	54	500 Original Budget +rolled Pos
		<b>4,232,281</b>	<b>149</b>	

**Water Infrastructure**

**Wastewater Infrastructure**

- Northlake Forcemain, removed \$2498K
- 600 Lift Stations
- 80 Areators at the WWTP
- 431 CAO SSO's Ref 4, 8, 9
- 443 CAO Eng. Ref 15, 16
- 689 CAO SSES Ref 6

Difference **-91**

	General Fund	Sales Tax Fund	Franchise Fees	Designated Tax Fund	ARPA Investments	Electronic Fund	Animal Control Donation	Act 1256 of 1995	Act 1809 of 2001	Park 1/8 Sales Tax	Act 833 Of 1991	Fire 3/8 Sales Tax	Act 918 of 1983	Act 988 of 1991
	Fund 001	Fund 002	Fund 003	Fund 005	Fund 007	Fund 010	Fund 020	Fund 030	Fund 031	Fund 045	Fund 051	Fund 055	Fund 061	Fund 062
<b>REVENUE</b>														
Taxes - Sales	6,729	450,453	0	450,453	0	0	0	0	0	56,307	0	168,920	0	0
Taxes - Property	36,137	0	0	0	0	0	0	0	0	0	0	0	0	0
Licenses Permits & Fees	34,676	0	0	0	0	0	0	0	0	0	0	0	0	0
Membership Fees	17,801	0	0	0	0	0	0	0	0	0	0	0	0	0
Rental Fees	16,185	0	0	0	0	0	0	0	0	0	0	0	0	0
Park Program Fees	10,024	0	0	0	0	0	0	0	0	0	0	0	0	0
Fines & Forfeitures	36,212	0	0	0	0	0	0	18,796	3,115	0	0	0	1,343	450
Sales of Services	14,932	0	119,600	0	0	0	0	0	0	0	0	0	0	0
Miscellaneous Rev	88,773	0	0	0	0	0	0	0	0	0	0	0	0	0
Intergovernmental	1,103,277	0	0	0	0	0	0	0	0	0	0	0	0	0
Reimbursement	59,122	0	0	0	0	0	0	0	0	0	0	0	0	0
Sale of Equipment	0	0	0	0	0	0	0	0	0	0	0	0	0	0
Donation Revenue	0	0	0	0	0	0	0	0	0	0	0	0	0	0
Grant Revenue	0	0	0	0	0	0	0	0	0	0	0	0	0	0
Sponsorships	5,000	0	0	0	0	0	0	0	0	0	0	0	0	0
Interest Revenue	0	26	27	18	0	0	0	0	1	3	1	6	0	0
<b>Total Revenue</b>	<b>1,428,868</b>	<b>450,479</b>	<b>119,628</b>	<b>450,471</b>	<b>0</b>	<b>0</b>	<b>0</b>	<b>18,796</b>	<b>3,116</b>	<b>56,309</b>	<b>1</b>	<b>168,925</b>	<b>1,343</b>	<b>450</b>
	<b>Fund 001</b>	<b>Fund 002</b>	<b>Fund 003</b>	<b>Fund 005</b>	<b>Fund 007</b>	<b>Fund 010</b>	<b>Fund 020</b>	<b>Fund 030</b>	<b>Fund 031</b>	<b>Fund 045</b>	<b>Fund 051</b>	<b>Fund 055</b>	<b>Fund 061</b>	<b>Fund 062</b>
<b>Expense</b>														
Personnel Cost	902,835	0	0	0	0	0	0	0	0	0	0	0	0	0
Building & Ground Exp	149,162	0	0	0	0	0	0	395	0	0	0	0	0	0
Vehicle Expense	33,857	0	0	0	0	0	0	0	0	0	0	0	0	0
Supply Expense	27,663	0	0	0	0	0	0	0	0	0	0	0	0	0
Operations Expense	6,254	0	0	0	0	0	0	18,402	0	0	1,637	0	0	0
Professional Services	31,143	0	0	0	0	0	0	0	0	0	0	0	0	0
Miscellaneous	29,391	0	0	0	0	0	0	0	3,939	0	0	185,573	0	0
Intergovernmental	0	494,861	68,370	494,860	0	0	0	0	0	61,858	0	0	0	0
Contract/Don Expense	13,772	0	0	0	0	0	0	0	0	0	0	0	0	0
Grant Expense	0	0	0	0	0	0	0	0	0	0	0	0	0	0
Bond Expense	60,524	0	0	0	0	0	0	0	0	0	0	0	0	0
Fixed Assets	60,842	0	0	0	0	0	0	0	0	0	0	0	0	0
Interest Expense	3,672	0	0	0	20,017	0	0	0	0	0	0	0	0	0
Construction Projects	0	0	0	0	0	0	0	0	0	0	0	0	0	0
<b>Total Expense</b>	<b>1,319,114</b>	<b>494,861</b>	<b>68,370</b>	<b>494,860</b>	<b>20,017</b>	<b>0</b>	<b>0</b>	<b>18,796</b>	<b>3,939</b>	<b>61,858</b>	<b>1,637</b>	<b>185,573</b>	<b>0</b>	<b>0</b>
<b>Change in Fund Balance/Net Position</b>	<b>109,754</b>	<b>(44,382)</b>	<b>51,258</b>	<b>(44,389)</b>	<b>(20,016)</b>	<b>0</b>	<b>0</b>	<b>0</b>	<b>(823)</b>	<b>(5,549)</b>	<b>(1,636)</b>	<b>(16,648)</b>	<b>1,343</b>	<b>450</b>
<b>Beginning Fund Balance/Net Position</b>	<b>5,635,835</b>	<b>3,069,934</b>	<b>3,233,161</b>	<b>2,187,245</b>	<b>2,146,429</b>	<b>2,708</b>	<b>24,786</b>	<b>2</b>	<b>64,338</b>	<b>316,889</b>	<b>84,248</b>	<b>665,210</b>	<b>44,965</b>	<b>39,604</b>
<b>Ending Fund Balance/Net Position</b>	<b>5,745,589</b>	<b>3,025,552</b>	<b>3,284,418</b>	<b>2,142,856</b>	<b>2,126,412</b>	<b>2,708</b>	<b>24,786</b>	<b>2</b>	<b>63,515</b>	<b>311,340</b>	<b>82,612</b>	<b>648,562</b>	<b>46,308</b>	<b>40,055</b>
<b>End Bank Stmt Bal</b>	<b>5,509,725</b>	<b>3,025,551</b>	<b>3,284,418</b>	<b>2,142,856</b>	<b>2,126,412</b>	<b>704,325</b>	<b>57,508</b>	<b>1</b>	<b>63,515</b>	<b>311,341</b>	<b>83,080</b>	<b>648,562</b>	<b>46,308</b>	<b>40,054</b>
<b>Out Stand Checks</b>	<b>89,023</b>	<b>0</b>	<b>0</b>	<b>0</b>	<b>0</b>	<b>38,139</b>	<b>0</b>	<b>0</b>	<b>0</b>	<b>0</b>	<b>470</b>	<b>0</b>	<b>0</b>	<b>0</b>
<b>Dep in Transit</b>	<b>(4,513)</b>	<b>0</b>	<b>0</b>	<b>0</b>	<b>0</b>	<b>0</b>	<b>0</b>	<b>0</b>	<b>0</b>	<b>0</b>	<b>0</b>	<b>0</b>	<b>0</b>	<b>0</b>
<b>GL on Bank Activity Rpt</b>	<b>5,425,215</b>	<b>3,025,551</b>	<b>3,284,418</b>	<b>2,142,856</b>	<b>2,126,412</b>	<b>666,186</b>	<b>57,508</b>	<b>1</b>	<b>63,515</b>	<b>311,341</b>	<b>82,610</b>	<b>648,562</b>	<b>46,308</b>	<b>40,054</b>
<b>Other Bal Sheet Items *</b>	<b>(320,374)</b>	<b>(1)</b>	<b>(1)</b>	<b>(0)</b>	<b>0</b>	<b>663,478</b>	<b>32,722</b>	<b>(1)</b>	<b>0</b>	<b>1</b>	<b>(2)</b>	<b>0</b>	<b>(0)</b>	<b>(0)</b>

\*Includes AP, AR, ADA, Donations, Customer Deposits, other small misc. items but not Fixed Assets or Long Term Debt. Those last two items are only completed annually for the audit.

	Federal Drug Control	State Drug Control	Street Fund	Special Redemp Fund	Debt Service Reserve	Bond Fund	Now used for Long Term Govt Debt	New Amendment 78 Fund 2022	Street Bond 2016 DS FS	Street Bond 2016 DSR FS	Stre Const Fund	Revenue Water	Water Operating
	Fund 066	Fund 068	Fund 080	Fund 110	Fund 113	Fund 114	Fund 165	Fund 167	Fund 185	Fund 186	Fund 187	Fund 500	Fund 510
<b>REVENUE</b>													
Taxes - Sales	0	0	40,815	0	0	225,226	0	925,000	0	0	0	0	0
Taxes - Property	0	0	95,542	0	0	0	0	0	0	0	0	0	0
Licenses Permits & Fees	0	0	0	0	0	0	0	0	0	0	0	0	0
Membership Fees	0	0	0	0	0	0	0	0	0	0	0	0	0
Rental Fees	0	0	0	0	0	0	0	0	0	0	0	0	0
Park Program Fees	0	0	0	0	0	0	0	0	0	0	0	0	0
Fines & Forfeitures	0	0	0	0	0	0	0	0	0	0	0	0	0
Sales of Services	0	0	0	0	0	0	0	0	0	0	0	799,565	0
Miscellaneous Rev	0	0	(1,129)	0	0	0	0	0	0	0	0	20,604	307
Intergovernmental	0	0	148,458	15	0	0	0	53,787	0	0	0	0	425,000
Reimbursement	0	0	0	0	0	0	0	0	0	0	0	0	0
Sale of Equipment	0	0	0	0	0	0	0	0	0	0	0	0	0
Donation Revenue	0	0	0	0	0	0	0	0	0	0	0	0	0
Grant Revenue	0	0	0	0	0	0	0	0	0	0	0	0	0
Sponsorships	0	0	0	0	0	0	0	0	0	0	0	0	0
Interest Revenue	0	0	0	0	15	28	0	0	5	2	131	0	0
<b>Total Revenue</b>	<b>0</b>	<b>0</b>	<b>283,685</b>	<b>15</b>	<b>15</b>	<b>225,254</b>	<b>0</b>	<b>925,000</b>	<b>53,792</b>	<b>2</b>	<b>131</b>	<b>820,169</b>	<b>425,307</b>
	<b>Fund 066</b>	<b>Fund 068</b>	<b>Fund 080</b>	<b>Fund 110</b>	<b>Fund 113</b>	<b>Fund 114</b>	<b>Fund 165</b>	<b>Fund 167</b>	<b>Fund 185</b>	<b>Fund 186</b>	<b>Fund 187</b>	<b>Fund 500</b>	<b>Fund 510</b>
<b>Expense</b>													
Personnel Cost	0	0	89,149	0	0	0	0	0	0	0	0	0	157,870
Building & Ground Exp	0	0	9,945	0	0	0	0	0	0	0	0	0	51,668
Vehicle Expense	0	0	15,666	0	0	0	0	0	0	0	0	0	15,666
Supply Expense	0	0	42,552	0	0	0	0	0	0	0	0	0	150,424
Operations Expense	0	0	25,469	0	0	0	0	0	0	0	0	8,531	32,291
Professional Services	0	0	6,980	0	0	0	0	0	0	0	0	0	32,113
Miscellaneous	0	0	1,160	0	15	0	0	0	0	0	0	8,601	3,231
Intergovernmental	0	0	0	0	0	0	0	0	0	0	0	454,362	21,806
Contract/Don Expense	0	0	0	0	0	0	0	0	0	0	0	0	0
Grant Expense	0	0	0	0	0	0	0	0	0	0	0	0	0
Bond Expense	0	0	0	0	0	0	0	0	83	0	0	0	8,972
Fixed Assets	0	0	61,203	0	0	0	0	0	0	0	0	0	54,413
Interest Expense	0	0	0	0	0	0	0	0	0	0	0	0	15,030
Construction Projects	0	0	55,000	0	0	0	0	0	0	0	23,169	0	0
<b>Total Expense</b>	<b>0</b>	<b>0</b>	<b>307,124</b>	<b>0</b>	<b>15</b>	<b>0</b>	<b>0</b>	<b>0</b>	<b>83</b>	<b>0</b>	<b>23,169</b>	<b>471,495</b>	<b>543,483</b>
<b>Change in Fund Balance/Net Position</b>	<b>0</b>	<b>0</b>	<b>(23,439)</b>	<b>15</b>	<b>0</b>	<b>225,254</b>	<b>0</b>	<b>925,000</b>	<b>53,708</b>	<b>2</b>	<b>(23,038)</b>	<b>348,674</b>	<b>(118,176)</b>
<b>Beginning Fund Balance/Net Position</b>	<b>29,253</b>	<b>23,124</b>	<b>2,996,017</b>	<b>326</b>	<b>742,409</b>	<b>1,660,092</b>	<b>199,306</b>	<b>0</b>	<b>53,978</b>	<b>324,794</b>	<b>6,547,231</b>	<b>539,192</b>	<b>484,680</b>
<b>Ending Fund Balance/Net Position</b>	<b>29,253</b>	<b>23,124</b>	<b>2,972,579</b>	<b>341</b>	<b>742,409</b>	<b>1,885,347</b>	<b>199,306</b>	<b>925,000</b>	<b>107,687</b>	<b>324,797</b>	<b>6,524,193</b>	<b>887,866</b>	<b>366,504</b>
<b>End Bank Stmt Bal</b>	<b>29,253</b>	<b>23,124</b>	<b>3,025,096</b>	<b>341</b>	<b>742,409</b>	<b>1,885,347</b>	<b>199,306</b>	<b>925,000</b>	<b>107,687</b>	<b>324,796</b>	<b>6,524,192</b>	<b>899,366</b>	<b>277,166</b>
<b>Out Stand Checks</b>	<b>0</b>	<b>0</b>	<b>82,728</b>	<b>0</b>	<b>0</b>	<b>0</b>	<b>0</b>	<b>0</b>	<b>0</b>	<b>0</b>	<b>0</b>	<b>26,247</b>	<b>37,495</b>
<b>Dep in Transit</b>	<b>0</b>	<b>0</b>	<b>0</b>	<b>0</b>	<b>0</b>	<b>0</b>	<b>0</b>	<b>0</b>	<b>0</b>	<b>0</b>	<b>0</b>	<b>(1,150)</b>	<b>0</b>
<b>GL on Bank Activity Rpt</b>	<b>29,253</b>	<b>23,124</b>	<b>2,942,368</b>	<b>341</b>	<b>742,409</b>	<b>1,885,347</b>	<b>199,306</b>	<b>925,000</b>	<b>107,687</b>	<b>324,796</b>	<b>6,524,192</b>	<b>874,269</b>	<b>239,671</b>
<b>Other Bal Sheet Items *</b>	<b>(0)</b>	<b>1</b>	<b>(30,211)</b>	<b>0</b>	<b>0</b>	<b>(0)</b>	<b>(0)</b>	<b>0</b>	<b>1</b>	<b>(1)</b>	<b>(0)</b>	<b>(13,597)</b>	<b>(126,834)</b>

	Stormwater Utility	Depreciation WW	Sub-Div Impact	Water Impact	Impact WW	Salem Royalty	W/WW Ref		Rev Bds 2017 & Promotion	Advertising	Totals
							Rev Bds 2017	Rev Bds 2017 & Promotion			
	Fund 515	Fund 525	Fund 535	Fund 550	Fund 555	Fund 560	Fund 604	DSR FS	Cash Held		
<b>REVENUE</b>											
Taxes - Sales	0	0	0	0	0	0	0	0	0	2,323,901	
Taxes - Property	0	0	0	0	0	0	0	0	0	131,679	
Licenses Permits & Fees	0	0	0	0	0	0	0	0	0	34,676	
Membership Fees	0	0	0	0	0	0	0	0	0	17,801	
Rental Fees	0	0	0	0	0	0	0	0	0	16,185	
Park Program Fees	0	0	0	0	0	0	0	0	0	10,024	
Fines & Forfeitures	0	0	0	0	0	0	0	0	0	59,916	
Sales of Services	0	0	0	0	0	0	0	0	0	934,097	
Miscellaneous Rev	0	0	0	0	0	0	0	0	0	106,555	
Intergovernmental	25,562	21,806	0	1,800	2,000	0	51,510	0	0	1,833,214	
Reimbursement	0	0	0	0	0	0	0	0	0	59,122	
Sale of Equipment	0	0	0	0	0	0	0	0	0	0	
Donation Revenue	0	0	0	0	0	0	0	0	0	0	
Grant Revenue	0	0	0	0	0	0	0	0	0	0	
Sponsorships	0	0	0	0	0	0	0	0	0	5,000	
Interest Revenue	6	0	0	2	2	0	14	2	99	390	
<b>Total Revenue</b>	<b>25,568</b>	<b>21,806</b>	<b>0</b>	<b>1,802</b>	<b>2,002</b>	<b>0</b>	<b>51,524</b>	<b>2</b>	<b>99</b>	<b>5,534,560</b>	
<b>Expense</b>											
Personnel Cost	0	0	0	0	0	0	0	0	0	1,150,248	
Building & Ground Exp	0	0	0	0	0	0	0	0	0	210,775	
Vehicle Expense	0	0	0	0	0	0	0	0	0	65,189	
Supply Expense	0	0	0	0	0	0	0	0	0	220,638	
Operations Expense	0	0	0	0	0	0	0	0	0	92,583	
Professional Services	0	0	0	0	0	0	0	0	0	70,236	
Miscellaneous	0	0	0	0	0	0	0	0	0	46,323	
Intergovernmental	0	0	0	0	0	0	0	0	0	1,781,705	
Contract/Don Expense	0	0	0	0	0	0	0	0	0	13,772	
Grant Expense	0	0	0	0	0	0	0	0	0	0	
Bond Expense	0	0	0	0	0	0	167	0	0	69,746	
Fixed Assets	0	0	0	0	0	0	0	0	0	176,458	
Interest Expense	0	0	0	0	0	0	0	0	0	38,719	
Construction Projects	0	0	0	0	0	0	0	0	0	78,169	
<b>Total Expense</b>	<b>0</b>	<b>0</b>	<b>0</b>	<b>0</b>	<b>0</b>	<b>0</b>	<b>167</b>	<b>0</b>	<b>0</b>	<b>4,014,561</b>	
<b>Change in Fund</b>											
Balance/Net Position	25,568	21,806	0	1,802	2,002	0	51,358	2	99	1,519,999	
Beginning Fund	670,027	1,312,492	23,546	200,129	239,342	43,154	155,474	262,255	232,628	34,254,803	
Ending Fund	695,595	1,334,298	23,546	201,931	241,344	43,154	206,832	262,257	232,727	35,774,802	
End Bank Stmt Bal	695,596	1,334,298	23,547	201,931	241,345	43,155	206,832	262,257	232,727	36,248,427	
Out Stand Checks	0	0	0	0	0	0	0	0	0	274,102	
Dep in Transit	0	0	0	0	0	0	0	0	0	(5,663)	
GL on Bank Activity Rpt	695,596	1,334,298	23,547	201,931	241,345	43,155	206,832	262,257	232,727	35,979,988	
Other Bal Sheet Items *	1	0	0	0	1	0	1	(0)	(0)	205,186	

Project	Park	GL Act	Res# for BA	Approved at Council Meeting in which month	Budget Amount	PO	Spent/Paid	Vendor	Misc.	Diff
Lighting Safety and Repair	Pks General	001-0430-5104*	2021-Nov	Apr-21	20,000	2021003795	20,000.00	Action Electric	TIPS 5394	0.00
Aquatics Center LED Lighting	Bishop	001-0430-5105*	2021-29	Apr-21	37,000	2021003796	37,000.00	Action Electric	TIPS 5394	0.00
Pool Recoat	Bishop	001-0430-5105*	2021-29	Apr-21	37,500	2021007050	44,719.80	Clarity Pools		(7,219.80)
Roof Repair over Aquatics Center	Bishop	001-0430-5105*	2022-	Apr-21	72,000	2022002778	120,090.00	OpenAire from Canada	Paid 30% of \$36027 upfront.	(48,090.00)
Dehumidifier	Bishop	001-0430-5816	2021-24	Apr-21	58,000	2021005068	58,725.00	Com. Air	Spent \$8725 offset with \$8k from Senior Storage shed	(725.00)
Gym LED Upgrade	Bishop	001-0430-5102*	2021-Nov	Apr-21	34,000	2021003796	34,000.00	Action Electric	TIPS 5394	0.00
Fencing	Springhill	001-0400-5816	2021-Nov	Jul-21	6,000	2021008392	5,525.00	Jacor	TIPS 81-054-885	475.00
Playground	Springhill	001-0400-5810	2021-Nov	Jul-21	150,704	2021008361	150,704.59	Landscape Structures	TIPS 18070401	(0.59)
B&G Club Picnic Tables	Skate	001-0400-5586	2021-Nov	Jul-21	50,000		0.00			50,000.00
B&G Club Awning	Bishop	001-0430-5102	2021-Nov	Jul-21	6,000	2021004706	5,713.50	ACS Playground		286.50
Fencing and Gate at Main Yard	Bishop	001-0430-5104**	2021-Nov	Jul-21	6,000	2021004285	6,251.89	Rick's Razorback Awning		(251.89)
Replace Backstop Padding	Bishop	001-0430-5104**	2021-Nov	Jul-21	0		8,665.00	Jacor	Dumpster Fencing Removed from the list, replaced with this	(8,665.00)
New Marquee	Bishop	001-0430-5816	2021-29	Jul-21	29,000	2021006616	28,797.69	Renegade		(202.31)
Security Cameras	Bishop	001-0430-5816	2021-Nov	Jul-21	65,000	2021007010	43,523.98	Custom Adv Of Ark		21,476.02
				Jul-21	30,000	2022001627	31,070.00	Advanced		(1,070.00)
				Total	592,204		594,786.45			(2,582.45)

\* The Auditors had these reclassified to capital, 5816 in Bishop 430 and Pks General 400

\*\* Also note that \$8665 was put to non capital not on this list for fencing that the Auditors reclassified to capital as well.

134,063.00 amount left to come out of cash at 4/12/22

# General Ledger

## Budget Status

User: jblack  
 Printed: 4/11/2022 - 11:19 AM  
 Period: 3, 2022



Account Number	Description	Budget Amount	Period Amount	YTD Amount	YTD Var	Encumbered Amount	Available	% Available
Fund 001	General Fund							
Dept 001-0000								
E80	Fixed Assets							
001-0000-5824	Depreciation Expense	0.00	0.00	0.00	0.00	0.00	0.00	0.00
001-0000-5898	Fix Asset Contra Act	0.00	0.00	0.00	0.00	0.00	0.00	0.00
	E80 Sub Totals:	0.00	0.00	0.00	0.00	0.00	0.00	0.00
	Expense Sub Totals:	0.00	0.00	0.00	0.00	0.00	0.00	0.00
	Dept 0000 Sub Totals:	0.00	0.00	0.00	0.00	0.00	0.00	0.00
Dept 001-0100	Administration							
R15	Taxes - Property							
001-0100-4150	State Turnback	308,400.00	19,929.24	80,406.99	227,993.01	0.00	227,993.01	73.93
001-0100-4151	Saline County Treas - Turnback	564,000.00	16,050.72	74,445.48	489,554.52	0.00	489,554.52	86.80
	R15 Sub Totals:	872,400.00	35,979.96	154,852.47	717,547.53	0.00	717,547.53	82.25
R60	Miscellaneous Revenue							
001-0100-4600	Miscellaneous Revenue	1,000.00	6,022.06	6,022.06	-5,022.06	0.00	-5,022.06	0.00
	R60 Sub Totals:	1,000.00	6,022.06	6,022.06	-5,022.06	0.00	-5,022.06	0.00
R62	Intergovernmental Tsfrs							
001-0100-4627	Xfer from Sales Tax	5,938,336.00	494,861.00	1,484,583.00	4,453,753.00	0.00	4,453,753.00	75.00
001-0100-4629	Xfer Franchise Tax Fd21	175,000.00	14,583.33	43,749.99	131,250.01	0.00	131,250.01	75.00
	R62 Sub Totals:	6,113,336.00	509,444.33	1,528,332.99	4,585,003.01	0.00	4,585,003.01	75.00
R85	Interest Revenue							
001-0100-4850	Interest Revenue	1,000.00	0.00	0.00	1,000.00	0.00	1,000.00	100.00
	R85 Sub Totals:	1,000.00	0.00	0.00	1,000.00	0.00	1,000.00	100.00
	Revenue Sub Totals:	6,987,736.00	551,446.35	1,689,207.52	5,298,528.48	0.00	5,298,528.48	75.83
E01	Personnel Expense							
001-0100-5000	Salary Expense	1,024,376.92	76,060.28	225,125.71	799,251.21	0.00	799,251.21	78.02



Account Number	Description	Budget Amount	Period Amount	YTD Amount	YTD Var	Encumbered Amount	Available	% Available
001-0100-5001	Elected Off. 2009-24,2011-27	339,956.00	16,549.06	55,659.81	284,296.19	0.00	284,296.19	83.63
001-0100-5005	SWB Reimbursement	-1,156,165.00	-96,347.01	-289,041.03	-867,123.97	0.00	-867,123.97	0.00
001-0100-5010	Overtime Expense	5,000.00	1,322.68	1,536.04	3,463.96	0.00	3,463.96	69.28
001-0100-5020	FICA Expense	104,338.12	7,076.80	21,264.65	83,073.47	0.00	83,073.47	79.62
001-0100-5022	Unemployment Expense	1,080.00	0.00	0.00	1,080.00	0.00	1,080.00	100.00
001-0100-5025	Worker's Comp Expense	1,600.00	0.00	434.46	1,165.54	0.00	1,165.54	72.85
001-0100-5030	APERS Expense	200,358.15	14,085.23	42,605.45	157,752.70	0.00	157,752.70	78.74
001-0100-5038	Pension Expense	0.00	0.00	0.00	0.00	0.00	0.00	0.00
001-0100-5040	Health Insurance Expense	134,543.36	10,304.51	27,261.05	107,282.31	0.00	107,282.31	79.74
001-0100-5042	Employee Assistance Program	4,500.00	0.00	985.88	3,514.12	0.00	3,514.12	78.09
001-0100-5050	Physical & Drug Screen Exp	800.00	0.00	0.00	800.00	0.00	800.00	100.00
001-0100-5054	Bring Your Own Device - Phone	0.00	0.00	0.00	0.00	0.00	0.00	0.00
001-0100-5055	Uniform Expense	400.00	0.00	0.00	400.00	0.00	400.00	100.00
001-0100-5057	Vehicle Allowance	6,000.00	461.52	1,384.56	4,615.44	0.00	4,615.44	76.92
001-0100-5060	Travel & Training Expense	21,350.00	749.64	1,929.64	19,420.36	495.00	18,925.36	88.64
001-0100-5061	Training Aids	500.00	0.00	0.00	500.00	0.00	500.00	100.00
001-0100-5062	Travel & Training - Mayor	9,706.00	40.00	65.00	9,641.00	0.00	9,641.00	99.33
001-0100-5063	Travel & Training - City Clerk	1,000.00	0.00	0.00	1,000.00	0.00	1,000.00	100.00
001-0100-5065	First Aid Expense	100.00	0.00	0.00	100.00	0.00	100.00	100.00
E01 Sub Totals:		699,443.55	30,302.71	89,211.22	610,232.33	495.00	609,737.33	87.17
E10	Building & Grounds Exp							
001-0100-5102	Repairs & Maint - Building	7,232.65	61.97	2,408.69	4,823.96	84.76	4,739.20	65.53
001-0100-5104	Repairs & Maint - Grounds	5,500.00	3,642.65	3,642.65	1,857.35	28.84	1,828.51	33.25
001-0100-5110	Utilities - Electric	8,400.00	406.76	1,162.01	7,237.99	0.00	7,237.99	86.17
001-0100-5111	Utilities - Gas	1,000.00	268.42	681.34	318.66	0.00	318.66	31.87
001-0100-5112	Utilities - Water	750.00	47.46	147.35	602.65	0.00	602.65	80.35
001-0100-5115	Com Exp - Tel Landline,Interne	8,640.24	736.96	2,208.71	6,431.53	0.00	6,431.53	74.44
001-0100-5116	Communication Exp - Cellular	7,440.00	562.09	1,758.97	5,681.03	0.00	5,681.03	76.36
001-0100-5120	Insurance - Property	4,136.00	0.00	0.00	4,136.00	0.00	4,136.00	100.00
001-0100-5130	Sanitation	1,080.00	174.41	261.83	818.17	0.00	818.17	75.76
001-0100-5142	Janitorial Supplies and Main	4,500.00	2,573.32	2,881.68	1,618.32	235.00	1,383.32	30.74
001-0100-5145	Tools	1,000.00	0.00	0.00	1,000.00	0.00	1,000.00	100.00
E10 Sub Totals:		49,678.89	8,474.04	15,153.23	34,525.66	348.60	34,177.06	68.80
E20	Vehicle Expense							
001-0100-5200	Fuel Expense	1,500.00	153.67	355.17	1,144.83	0.00	1,144.83	76.32
001-0100-5212	Service & Repair - Equipment	1,000.00	0.00	45.00	955.00	0.00	955.00	95.50
001-0100-5225	Insurance Expense - Vehicle	1,500.00	0.00	171.50	1,328.50	0.00	1,328.50	88.57
E20 Sub Totals:		4,000.00	153.67	571.67	3,428.33	0.00	3,428.33	85.71
E30	Supply Expense							
001-0100-5300	Supplies - Office	4,500.00	2,402.48	3,099.67	1,400.33	330.18	1,070.15	23.78

Account Number	Description	Budget Amount	Period Amount	YTD Amount	YTD Var	Encumbered Amount	Available	% Available
001-0100-5334	Supplies - Volunteer	2,000.00	0.00	0.00	2,000.00	0.00	2,000.00	100.00
001-0100-5350	Postage Expense	1,300.00	55.52	894.22	405.78	83.77	322.01	24.77
E30 Sub Totals:		7,800.00	2,458.00	3,993.89	3,806.11	413.95	3,392.16	43.49
E40	Operations Expense							
001-0100-5480	Dues & Subscriptions	58,800.00	164.00	448.00	58,352.00	164.00	58,188.00	98.96
001-0100-5505	Mayor's Expense	13,500.00	144.64	347.88	13,152.12	45.73	13,106.39	97.08
001-0100-5506	City Clerk Expense	7,100.00	185.00	535.00	6,565.00	0.00	6,565.00	92.46
001-0100-5510	Meeting Expense	500.00	0.00	0.00	500.00	11.02	488.98	97.80
001-0100-5535	Sales Tax Expense	2,500.00	150.40	1,341.48	1,158.52	0.00	1,158.52	46.34
E40 Sub Totals:		82,400.00	644.04	2,672.36	79,727.64	220.75	79,506.89	96.49
E55	Professional Services							
001-0100-5550	Prof Services - Acctg & Audit	12,750.00	0.00	0.00	12,750.00	0.00	12,750.00	100.00
001-0100-5553	Prof Services - Advertising	7,500.00	671.66	671.66	6,828.34	0.00	6,828.34	91.04
001-0100-5583	Prof Services - Legal	10,400.00	468.28	5,712.20	4,687.80	1,400.00	3,287.80	31.61
001-0100-5586	Prof Services - Other	16,440.00	119.77	403.62	16,036.38	0.00	16,036.38	97.54
001-0100-5588	Prof Services - Legal Notices	2,500.00	0.00	0.00	2,500.00	0.00	2,500.00	100.00
001-0100-5589	Prof Services - Printing	100.00	0.00	0.00	100.00	0.00	100.00	100.00
E55 Sub Totals:		49,690.00	1,259.71	6,787.48	42,902.52	1,400.00	41,502.52	83.52
E60	Miscellaneous Expense							
001-0100-5600	Miscellaneous Expense	100.00	0.00	-5.77	105.77	0.00	105.77	105.77
001-0100-5608	Software - New & Renewals	13,520.00	0.00	1,699.43	11,820.57	179.88	11,640.69	86.10
E60 Sub Totals:		13,620.00	0.00	1,693.66	11,926.34	179.88	11,746.46	86.24
E68	Donation Expense							
001-0100-5680	Boys and Girls Club Contract	50,000.00	0.00	12,500.00	37,500.00	0.00	37,500.00	75.00
001-0100-5681	Sr. Adults Contract	30,000.00	3,771.53	11,271.53	18,728.47	0.00	18,728.47	62.43
001-0100-5682	Historic Society Contract	10,000.00	10,000.00	10,000.00	0.00	0.00	0.00	0.00
E68 Sub Totals:		90,000.00	13,771.53	33,771.53	56,228.47	0.00	56,228.47	62.48
E80	Fixed Assets							
001-0100-5806	Fixed Assets - Buildings	13,500.00	0.00	13,500.00	0.00	0.00	0.00	0.00
001-0100-5810	Fixed Assets - Equipment	0.00	0.00	0.00	0.00	0.00	0.00	0.00
E80 Sub Totals:		13,500.00	0.00	13,500.00	0.00	0.00	0.00	0.00
E85	Interest Expense							
001-0100-5850	Interest Expense	0.00	0.00	0.00	0.00	0.00	0.00	0.00
E85 Sub Totals:		0.00	0.00	0.00	0.00	0.00	0.00	0.00

Account Number	Description	Budget Amount	Period Amount	YTD Amount	YTD Var	Encumbered Amount	Available	% Available
	Expense Sub Totals:	1,010,132.44	57,063.70	167,355.04	842,777.40	3,058.18	839,719.22	83.13
Dept 001-0110	Information Technology							
E01	Personnel Expense	-5,977,603.56	-494,382.65	-1,521,852.48	-4,455,751.08	3,058.18		
001-0110-5060	Travel & Training Expense	6,000.00	0.00	1,980.00	4,020.00	0.00	4,020.00	67.00
	E01 Sub Totals:	6,000.00	0.00	1,980.00	4,020.00	0.00	4,020.00	67.00
E60	Miscellaneous Expense							
001-0110-5604	Hardware - New & Renewals	36,500.00	0.00	257.60	36,242.40	90.94	36,151.46	99.05
001-0110-5606	IT Projects & Labor	20,000.00	8,581.23	8,581.23	11,418.77	-164.80	11,583.57	57.92
001-0110-5608	Software - New & Renewals	53,075.00	450.00	17,798.13	35,276.87	299.52	34,977.35	65.90
001-0110-5610	Website	20,000.00	0.00	38,362.65	-18,362.65	0.00	-18,362.65	0.00
001-0110-5612	IT Tools & Supplies	1,000.00	120.05	178.56	821.44	133.99	687.45	68.75
001-0110-5614	Copiers & Maintenance	22,800.00	4,046.73	5,576.28	17,223.72	2,200.00	15,023.72	65.89
	E60 Sub Totals:	153,375.00	13,198.01	70,754.45	82,620.55	2,559.65	80,060.90	52.20
	Expense Sub Totals:	159,375.00	13,198.01	72,734.45	86,640.55	2,559.65	84,080.90	52.76
Dept 001-0160	Engineering							
E01	Personnel Expense							
001-0160-5025	Worker's Comp Expense	3,600.00	0.00	4,132.06	-532.06	0.00	-532.06	0.00
001-0160-5055	Uniform Expense	2,000.00	375.00	375.00	1,625.00	0.00	1,625.00	81.25
001-0160-5060	Travel & Training Expense	5,000.00	0.00	20.00	4,980.00	0.00	4,980.00	99.60
	E01 Sub Totals:	10,600.00	375.00	4,527.06	6,072.94	0.00	6,072.94	57.29
E10	Building & Grounds Exp							
001-0160-5116	Communication Exp - Cellular	1,800.00	179.24	537.94	1,262.06	0.00	1,262.06	70.11
	E10 Sub Totals:	1,800.00	179.24	537.94	1,262.06	0.00	1,262.06	70.11
E20	Vehicle Expense							
001-0160-5200	Fuel Expense	5,400.00	566.97	1,618.73	3,781.27	0.00	3,781.27	70.02
001-0160-5210	Service & Repair - Vehicle	12,960.00	0.00	239.14	12,720.86	0.00	12,720.86	98.15
001-0160-5225	Insurance Expense - Vehicle	1,589.24	0.00	1,561.64	27.60	0.00	27.60	1.74
	E20 Sub Totals:	19,949.24	566.97	3,419.51	16,529.73	0.00	16,529.73	82.86
E30	Supply Expense							
001-0160-5322	Supplies - Operating	5,000.00	4,989.41	5,767.90	-767.90	0.00	-767.90	0.00

Account Number	Description	Budget Amount	Period Amount	YTD Amount	YTD Var	Encumbered Amount	Available	% Available
E60	E60 Sub Totals:	5,000.00	4,989.41	5,767.90	-767.90	0.00	-767.90	0.00
	Miscellaneous Expense							
001-0160-5604	Hardware - New & Renewals	5,000.00	0.00	0.00	5,000.00	0.00	5,000.00	100.00
001-0160-5608	Software - New & Renewals	5,650.00	0.00	0.00	5,650.00	0.00	5,650.00	100.00
E60 Sub Totals:		10,650.00	0.00	0.00	10,650.00	0.00	10,650.00	100.00
E80	Fixed Assets							
001-0160-5808	Fixed Assets - Vehicles	0.00	4,936.09	5,985.05	-5,985.05	0.00	-5,985.05	0.00
E80 Sub Totals:		0.00	4,936.09	5,985.05	-5,985.05	0.00	-5,985.05	0.00
E85	Interest Expense							
001-0160-5850	Interest Expense	0.00	0.00	0.00	0.00	0.00	0.00	0.00
E85 Sub Totals:		0.00	0.00	0.00	0.00	0.00	0.00	0.00
	Expense Sub Totals:	47,999.24	11,046.71	20,237.46	27,761.78	0.00	27,761.78	57.84
Dept 0160 Sub Totals:		47,999.24	11,046.71	20,237.46	27,761.78	0.00		
R20	Animal Control							
	Licenses Permits & Fees							
001-0200-4202	Adoption Revenue	5,500.00	165.00	600.00	4,900.00	0.00	4,900.00	89.09
001-0200-4222	Misc Revenue - Animal Control	8,000.00	615.00	1,297.86	6,702.14	0.00	6,702.14	83.78
001-0200-4224	Dog License Fee	3,500.00	125.00	445.00	3,055.00	0.00	3,055.00	87.29
001-0200-4246	Spay & Neuter Revenue	12,500.00	520.00	1,735.00	10,765.00	0.00	10,765.00	86.12
R20 Sub Totals:		29,500.00	1,425.00	4,077.86	25,422.14	0.00	25,422.14	86.18
R40	Fines & Forfeitures							
001-0200-4420	Animal Control Fines	6,000.00	340.00	1,735.00	4,265.00	0.00	4,265.00	71.08
R40 Sub Totals:		6,000.00	340.00	1,735.00	4,265.00	0.00	4,265.00	71.08
R62	Intergovernmental Tsfrs							
001-0200-4627	Xfer Designated Tax	593,834.00	49,486.00	148,458.00	445,376.00	0.00	445,376.00	75.00
R62 Sub Totals:		593,834.00	49,486.00	148,458.00	445,376.00	0.00	445,376.00	75.00
	Revenue Sub Totals:	629,334.00	51,251.00	154,270.86	475,063.14	0.00	475,063.14	75.49
E01	Personnel Expense							
001-0200-5000	Salary Expense	362,644.36	17,863.53	52,943.32	309,701.04	0.00	309,701.04	85.40
001-0200-5005	SWB Reimbursement	92,493.00	7,707.75	23,123.25	69,369.75	0.00	69,369.75	75.00
001-0200-5010	Overtime Expense	11,000.00	804.43	1,871.30	9,128.70	0.00	9,128.70	82.99
001-0200-5020	FICA Expense	28,401.10	1,376.49	4,035.28	24,365.82	0.00	24,365.82	85.79

Account Number	Description	Budget Amount	Period Amount	YTD Amount	YTD Var	Encumbered Amount	Available	% Available
001-0200-5022	Unemployment Expense	576.00	0.00	9.81	566.19	0.00	566.19	98.30
001-0200-5025	Worker's Comp Expense	1,900.00	0.00	1,848.57	51.43	0.00	51.43	2.71
001-0200-5030	APERS Expense	55,957.26	2,859.94	8,392.11	47,565.15	0.00	47,565.15	85.00
001-0200-5040	Health Insurance Expense	75,076.06	3,335.74	10,007.22	65,068.84	0.00	65,068.84	86.67
001-0200-5050	Physical & Drug Screen Exp	500.00	0.00	0.00	500.00	44.85	455.15	91.03
001-0200-5055	Uniform Expense	3,000.00	562.08	562.08	2,437.92	0.00	2,437.92	81.26
001-0200-5060	Travel & Training Expense	5,700.00	1,892.36	2,522.36	3,177.64	0.00	3,177.64	55.75
001-0200-5065	First Aid Expense	100.00	0.00	0.00	100.00	0.00	100.00	100.00
	<b>E01 Sub Totals:</b>	<b>637,347.78</b>	<b>36,402.32</b>	<b>105,315.30</b>	<b>532,032.48</b>	<b>44.85</b>	<b>531,987.63</b>	<b>83.47</b>
E10	Building & Grounds Exp							
001-0200-5102	Repairs & Maint - Building	23,000.00	1,751.71	2,158.90	20,841.10	179.46	20,661.64	89.83
001-0200-5104	Repairs & Maint - Grounds	7,300.00	177.73	188.65	7,111.35	995.44	6,115.91	83.78
001-0200-5110	Utilities - Electric	10,000.00	801.71	2,363.33	7,636.67	0.00	7,636.67	76.37
001-0200-5111	Utilities - Gas	480.00	86.15	171.97	308.03	0.00	308.03	64.17
001-0200-5112	Utilities - Water	500.00	39.48	149.61	350.39	0.00	350.39	70.08
001-0200-5115	Com Exp - Tel Landline.Interne	9,500.00	952.07	2,840.31	6,659.69	0.00	6,659.69	70.10
001-0200-5116	Communication Exp - Cellular	4,920.00	295.17	821.99	4,098.01	63.72	4,034.29	82.00
001-0200-5120	Insurance - Property	956.00	0.00	0.00	956.00	0.00	956.00	100.00
001-0200-5130	Sanitation	1,500.00	251.25	376.66	1,123.34	0.00	1,123.34	74.89
001-0200-5140	Supplies - B&G	500.00	24.23	215.23	284.77	46.11	238.66	47.73
001-0200-5141	Pest/Chem/Seed/Fert	1,020.00	82.13	246.39	773.61	0.00	773.61	75.84
001-0200-5142	Janitorial Supplies and Main	4,000.00	380.80	521.43	3,478.57	179.95	3,298.62	82.47
001-0200-5145	Tools	1,500.00	199.58	199.58	1,300.42	731.07	569.35	37.96
	<b>E10 Sub Totals:</b>	<b>65,176.00</b>	<b>5,042.01</b>	<b>10,254.05</b>	<b>54,921.95</b>	<b>2,195.75</b>	<b>52,726.20</b>	<b>80.90</b>
E20	Vehicle Expense							
001-0200-5200	Fuel Expense	4,500.00	318.31	1,337.78	3,162.22	30.33	3,131.89	69.60
001-0200-5210	Service & Repair - Vehicle	8,700.00	1,071.77	1,516.37	7,183.63	12.00	7,171.63	82.43
001-0200-5225	Insurance Expense - Vehicle	1,376.93	0.00	1,076.24	300.69	0.00	300.69	21.84
	<b>E20 Sub Totals:</b>	<b>14,576.93</b>	<b>1,390.08</b>	<b>3,930.39</b>	<b>10,646.54</b>	<b>42.33</b>	<b>10,604.21</b>	<b>72.75</b>
E30	Supply Expense							
001-0200-5300	Supplies - Office	1,250.00	143.93	433.45	816.55	631.53	185.02	14.80
001-0200-5302	Supplies - Kitchen	350.00	4.53	4.53	345.47	16.68	328.79	93.94
001-0200-5306	Supplies - Food Allowance	1,000.00	3.08	3.08	996.92	0.00	996.92	99.69
001-0200-5322	Supplies - Operating	9,300.00	0.00	132.36	9,167.64	0.00	9,167.64	98.58
001-0200-5350	Postage Expense	600.00	4.77	126.99	473.01	83.77	389.24	64.87
001-0200-5370	Medicine Expense	9,000.00	827.51	1,678.86	7,321.14	117.72	7,203.42	80.04
001-0200-5371	Spay & Neuter Vouchers	1,000.00	0.00	30.00	970.00	0.00	970.00	97.00
	<b>E30 Sub Totals:</b>	<b>22,500.00</b>	<b>983.82</b>	<b>2,409.27</b>	<b>20,090.73</b>	<b>849.70</b>	<b>19,241.03</b>	<b>85.52</b>

Account Number	Description	Budget Amount	Period Amount	YTD Amount	YTD Var	Encumbered Amount	Available	% Available
E:40	Operations Expense							
001-0200-5475	Credit Card Fees	3,120.00	51.03	311.90	2,808.10	0.00	2,808.10	90.00
001-0200-5480	Dues & Subscriptions	12,825.00	0.00	0.00	12,825.00	0.00	12,825.00	100.00
	E:40 Sub Totals:	15,945.00	51.03	311.90	15,633.10	0.00	15,633.10	98.04
E:55	Professional Services							
001-0200-5577	Prof Services - Incineration & Disp	4,000.00	120.00	405.00	3,595.00	0.00	3,595.00	89.88
001-0200-5589	Prof Services - Printing	1,000.00	0.00	0.00	1,000.00	0.00	1,000.00	100.00
001-0200-5592	Prof Services - Veterinarian	25,000.00	2,396.32	4,207.74	20,792.26	80.00	20,712.26	82.85
001-0200-5593	Animal Care Charges	5,000.00	142.11	299.39	4,700.61	30.72	4,669.89	93.40
	E:55 Sub Totals:	35,000.00	2,658.43	4,912.13	30,087.87	110.72	29,977.15	85.65
E:60	Miscellaneous Expense							
001-0200-5600	Miscellaneous Expense	1,000.00	475.00	475.00	525.00	0.00	525.00	52.50
001-0200-5604	Hardware - New & Renewals	1,500.00	0.00	0.00	1,500.00	7,870.38	-6,370.38	0.00
001-0200-5606	IT Projects & Labor	9,150.00	0.00	3,516.00	5,634.00	0.00	5,634.00	61.57
001-0200-5608	Software - New & Renewals	1,500.00	0.00	1,699.42	-199.42	0.00	-199.42	0.00
001-0200-5614	Copiers & Maintenance	0.00	0.00	0.00	0.00	0.00	0.00	0.00
	E:60 Sub Totals:	13,150.00	475.00	5,690.42	7,459.58	7,870.38	-410.80	0.00
E:80	Fixed Assets							
001-0200-5808	Fixed Assets - Vehicles	40,000.00	389.76	779.52	39,220.48	48,717.00	-9,496.52	0.00
	E:80 Sub Totals:	40,000.00	389.76	779.52	39,220.48	48,717.00	-9,496.52	0.00
E:85	Interest Expense							
001-0200-5850	Interest Expense	0.00	0.00	0.00	0.00	0.00	0.00	0.00
	E:85 Sub Totals:	0.00	0.00	0.00	0.00	0.00	0.00	0.00
	Expense Sub Totals:	843,695.71	47,392.45	133,602.98	710,092.73	59,830.73	650,262.00	77.07
Dept 0200 Sub Totals:		214,361.71	-3,858.55	-20,667.88	235,029.59	59,830.73		
R:40	Court							
001-0300-4400	Fines & Forfeitures	200.00	18.12	54.36	145.64	0.00	145.64	72.82
001-0300-4412	Act 316 of 1991 Revenue	26,000.00	2,190.68	6,572.04	19,427.96	0.00	19,427.96	74.72
001-0300-4414	Court Fines	400,000.00	3,352.50	24,560.30	375,439.70	0.00	375,439.70	93.86
001-0300-4416	District Court Reim	14,000.00	1,181.04	3,543.12	10,456.88	0.00	10,456.88	74.69
001-0300-4424	Judge Retirement Reim	4,700.00	394.84	1,184.52	3,515.48	0.00	3,515.48	74.80
001-0300-4426	Ordinance 89-15 Revenue	23,000.00	1,966.60	5,899.80	17,100.20	0.00	17,100.20	74.35
001-0300-4428	Warrant Fees	65,000.00	26,700.75	64,634.15	365.85	0.00	365.85	0.56

Account Number	Description	Budget Amount	Period Amount	YTD Amount	YTD Var	Encumbered Amount	Available	% Available
R40 Sub Totals:		532,900.00	35,804.53	106,448.29	426,451.71	0.00	426,451.71	80.02
R60	Miscellaneous Revenue							
001-0300-4600	Miscellaneous Revenue	50,520.00	7,646.34	12,764.24	37,755.76	0.00	37,755.76	74.73
R60 Sub Totals:		50,520.00	7,646.34	12,764.24	37,755.76	0.00	37,755.76	74.73
R64	Reimbursement							
001-0300-4640	Saline County	160,000.00	59,122.32	59,122.32	100,877.68	0.00	100,877.68	63.05
R64 Sub Totals:		160,000.00	59,122.32	59,122.32	100,877.68	0.00	100,877.68	63.05
Revenue Sub Totals:		743,420.00	102,573.19	178,334.85	565,085.15	0.00	565,085.15	76.01
E01	Personnel Expense							
001-0300-5000	Salary Expense	295,890.71	22,544.80	67,202.73	228,687.98	0.00	228,687.98	77.29
001-0300-5010	Overtime Expense	500.00	0.00	0.00	500.00	0.00	500.00	100.00
001-0300-5020	FICA Expense	22,674.14	1,657.57	4,939.68	17,734.46	0.00	17,734.46	78.21
001-0300-5022	Unemployment Expense	420.00	0.00	15.37	404.63	0.00	404.63	96.34
001-0300-5025	Worker's Comp Expense	1,300.00	0.00	2,111.14	-811.14	0.00	-811.14	0.00
001-0300-5030	APERS Expense	45,407.06	3,453.86	10,295.45	35,111.61	0.00	35,111.61	77.33
001-0300-5038	Pension Expense-Judge Rtmnt	10,000.00	0.00	0.00	10,000.00	0.00	10,000.00	100.00
001-0300-5040	Health Insurance Expense	44,748.24	4,157.90	12,473.70	32,274.54	0.00	32,274.54	72.12
001-0300-5050	Physical & Drug Screen Exp	300.00	0.00	0.00	300.00	0.00	300.00	100.00
001-0300-5055	Uniform Expense	500.00	0.00	0.00	500.00	0.00	500.00	100.00
001-0300-5060	Travel & Training Expense	10,500.00	0.00	0.00	10,500.00	0.00	10,500.00	100.00
001-0300-5070	Judge - Share to State	30,000.00	2,405.18	7,215.54	22,784.46	0.00	22,784.46	75.95
E01 Sub Totals:		462,240.15	34,219.31	104,253.61	357,986.54	0.00	357,986.54	77.45
E10	Building & Grounds Exp							
001-0300-5102	Repairs & Maint - Building	11,000.00	0.00	0.00	11,000.00	0.00	11,000.00	100.00
001-0300-5110	Utilities - Electric	6,000.00	406.76	1,162.01	4,837.99	0.00	4,837.99	80.63
001-0300-5111	Utilities - Gas	1,200.00	268.42	681.34	518.66	0.00	518.66	43.22
001-0300-5112	Utilities - Water	650.00	47.46	147.35	502.65	0.00	502.65	77.33
001-0300-5115	Com Exp - Tel Landline-Interne	3,216.00	327.87	981.96	2,234.04	0.00	2,234.04	69.47
001-0300-5130	Sanitation	1,080.00	172.50	258.75	821.25	0.00	821.25	76.04
001-0300-5142	Janitorial Supplies and Main	500.00	522.64	522.64	-22.64	74.79	-97.43	0.00
E10 Sub Totals:		23,646.00	1,745.65	3,754.05	19,891.95	74.79	19,817.16	83.81
E30	Supply Expense							
001-0300-5300	Supplies - Office	9,000.00	406.00	1,285.80	7,714.20	149.58	7,564.62	84.05
001-0300-5350	Postage Expense	2,000.00	110.89	389.66	1,610.34	83.77	1,526.57	76.33
E30 Sub Totals:		11,000.00	516.89	1,675.46	9,324.54	233.35	9,091.19	82.65

Account Number	Description	Budget Amount	Period Amount	YTD Amount	YTD Var	Encumbered Amount	Available	% Available
E40	Operations Expense							
001-0300-5480	Dues & Subscriptions	3,000.00	0.00	1,359.08	1,640.92	0.00	1,640.92	54.70
E40 Sub Totals:		3,000.00	0.00	1,359.08	1,640.92	0.00	1,640.92	54.70
E55	Professional Services							
001-0300-5553	Prof Services - Advertising	500.00	0.00	0.00	500.00	0.00	500.00	100.00
001-0300-5589	Prof Services - Printing	5,000.00	0.00	0.00	5,000.00	0.00	5,000.00	100.00
E55 Sub Totals:		5,500.00	0.00	0.00	5,500.00	0.00	5,500.00	100.00
E60	Miscellaneous Expense							
001-0300-5608	Software - New & Renewals	1,272.00	0.00	0.00	1,272.00	0.00	1,272.00	100.00
001-0300-5614	Copiers & Maintenance	3,168.00	526.48	743.85	2,424.15	265.00	2,159.15	68.15
E60 Sub Totals:		4,440.00	526.48	743.85	3,696.15	265.00	3,431.15	77.28
Expense Sub Totals:		509,826.15	37,008.33	111,786.05	398,040.10	573.14	397,466.96	77.96
Dept 0300 Sub Totals:		-233,593.85	-65,564.86	-66,548.80	-167,045.05	573.14		
Parks								
R62	Intergovernmental Tsfrs							
001-0400-4627	Xfer Designated Tax	593,834.00	49,486.00	148,458.00	445,376.00	0.00	445,376.00	75.00
001-0400-4629	Xfer Park 1/8 O & M	742,292.00	61,858.00	185,574.00	556,718.00	0.00	556,718.00	75.00
R62 Sub Totals:		1,336,126.00	111,344.00	334,032.00	1,002,094.00	0.00	1,002,094.00	75.00
R66	Sale of Equipment							
001-0400-4900	Sale of Fixed Assets	0.00	0.00	0.00	0.00	0.00	0.00	0.00
R66 Sub Totals:		0.00	0.00	0.00	0.00	0.00	0.00	0.00
Revenue Sub Totals:		1,336,126.00	111,344.00	334,032.00	1,002,094.00	0.00	1,002,094.00	75.00
E01	Personnel Expense							
001-0400-5000	Salary Expense	409,938.00	28,450.27	83,981.29	325,956.71	0.00	325,956.71	79.51
001-0400-5001	Part Time Labor	30,000.00	1,009.86	3,023.64	26,976.36	0.00	26,976.36	89.92
001-0400-5005	SWB Reimbursement	184,986.00	15,415.50	46,246.50	138,739.50	0.00	138,739.50	75.00
001-0400-5010	Overtime Expense	7,000.00	0.00	0.00	7,000.00	0.00	7,000.00	100.00
001-0400-5020	FICA Expense	34,648.61	2,241.38	6,618.94	28,029.67	0.00	28,029.67	80.90
001-0400-5022	Unemployment Expense	900.00	0.00	11.60	888.40	0.00	888.40	98.71
001-0400-5025	Worker's Comp Expense	11,000.00	0.00	12,224.00	-1,224.00	0.00	-1,224.00	0.00
001-0400-5030	APERS Expense	63,555.99	4,358.60	12,865.98	50,690.01	0.00	50,690.01	79.76
001-0400-5040	Health Insurance Expense	83,322.78	5,648.10	16,946.18	66,376.60	0.00	66,376.60	79.66
001-0400-5050	Physical & Drug Screen Exp	1,050.00	0.00	0.00	1,050.00	0.00	1,050.00	100.00
001-0400-5055	Uniform Expense	500.00	0.00	0.00	500.00	0.00	500.00	100.00



Account Number	Description	Budget Amount	Period Amount	YTD Amount	YTD Var	Encumbered Amount	Available	% Available
001-0400-5057	Vehicle Allowance	6,000.00	461.54	1,384.62	4,615.38	0.00	4,615.38	76.92
001-0400-5060	Travel & Training Expense	10,400.00	99.00	1,686.00	8,714.00	440.00	8,274.00	79.56
E01 Sub Totals:		843,301.38	57,684.25	184,988.75	658,312.63	440.00	657,872.63	78.01
E10	Building & Grounds Exp							
001-0400-5120	Insurance - Property	1,526.00	0.00	0.00	1,526.00	0.00	1,526.00	100.00
001-0400-5145	Tools	2,000.00	0.00	397.75	1,602.25	126.86	1,475.39	73.77
E10 Sub Totals:		3,526.00	0.00	397.75	3,128.25	126.86	3,001.39	85.12
E20	Vehicle Expense							
001-0400-5200	Fuel Expense	15,000.00	1,624.64	4,320.87	10,679.13	0.00	10,679.13	71.19
001-0400-5210	Service & Repair - Vehicle	10,000.00	0.00	1,547.86	8,452.14	0.00	8,452.14	84.52
001-0400-5225	Insurance Expense - Vehicle	5,133.39	0.00	5,187.58	-54.19	-16.25	-37.94	0.00
E20 Sub Totals:		30,133.39	1,624.64	11,056.31	19,077.08	-16.25	19,093.33	63.36
E30	Supply Expense							
001-0400-5350	Postage Expense	600.00	0.00	98.37	501.63	83.77	417.86	69.64
E30 Sub Totals:		600.00	0.00	98.37	501.63	83.77	417.86	69.64
E40	Operations Expense							
001-0400-5535	Sales Tax Expense	1,000.00	0.00	588.66	411.34	0.00	411.34	41.13
E40 Sub Totals:		1,000.00	0.00	588.66	411.34	0.00	411.34	41.13
E55	Professional Services							
001-0400-5550	Prof Services - Acctg & Audit	5,000.00	0.00	0.00	5,000.00	0.00	5,000.00	100.00
001-0400-5586	Prof Services - Other	30,550.00	4,730.00	8,090.00	22,460.00	1,655.00	20,805.00	68.10
E55 Sub Totals:		35,550.00	4,730.00	8,090.00	27,460.00	1,655.00	25,805.00	72.59
E60	Miscellaneous Expense							
001-0400-5600	Miscellaneous Expense	0.00	0.00	0.00	0.00	77.73	-77.73	0.00
001-0400-5604	Hardware - New & Renewals	2,500.00	0.00	0.00	2,500.00	0.00	2,500.00	100.00
001-0400-5608	Software - New & Renewals	15,605.00	11,875.00	13,574.42	2,030.58	0.00	2,030.58	13.01
001-0400-5614	Copiers & Maintenance	0.00	0.00	0.00	0.00	0.00	0.00	0.00
E60 Sub Totals:		18,105.00	11,875.00	13,574.42	4,530.58	77.73	4,452.85	24.59
E72	Bond Expense							
001-0400-5840	Principal for Loans	71,993.08	10,989.01	21,886.92	50,106.16	0.00	50,106.16	69.60
E72 Sub Totals:		71,993.08	10,989.01	21,886.92	50,106.16	0.00	50,106.16	69.60
E80	Fixed Assets							
001-0400-5808	Fixed Assets - Vehicles	0.00	3,508.86	3,508.86	-3,508.86	0.00	-3,508.86	0.00
001-0400-5810	Fixed Assets - Equipment	0.00	0.00	14,572.22	-14,572.22	0.00	-14,572.22	0.00

Account Number	Description	Budget Amount	Period Amount	YTD Amount	YTD Var	Encumbered Amount	Available	% Available
E85	E80 Sub Totals:	0.00	3,508.86	18,081.08	-18,081.08	0.00	-18,081.08	0.00
001-0400-5850	Interest Expense	1,038.88	121.98	396.07	642.81	0.00	642.81	61.88
	E85 Sub Totals:	1,038.88	121.98	396.07	642.81	0.00	642.81	61.88
	Expense Sub Totals:	1,005,247.73	90,533.74	259,158.33	746,089.40	2,367.11	743,722.29	73.98
Dept 001-0410	Dept 0400 Sub Totals:	-330,878.27	-20,810.26	-74,873.67	-256,004.60	2,367.11		
R50	Parks - Mills Park & Pool							
	Sale of Services	6,000.00	0.00	0.00	6,000.00	0.00	6,000.00	100.00
001-0410-4500	Mills Pool-Admin/Concessions	59,000.00	3,426.00	3,426.00	55,574.00	0.00	55,574.00	94.19
001-0410-4532	Admissions	6,000.00	1,090.00	1,985.00	4,015.00	0.00	4,015.00	66.92
001-0410-4534	Pavillion Fees							
	R50 Sub Totals:	71,000.00	4,516.00	5,411.00	65,589.00	0.00	65,589.00	92.38
	Revenue Sub Totals:	71,000.00	4,516.00	5,411.00	65,589.00	0.00	65,589.00	92.38
E01	Personnel Expense							
001-0410-5001	Part Time Labor	23,000.00	0.00	0.00	23,000.00	0.00	23,000.00	100.00
001-0410-5020	FICA Expense	1,759.50	0.00	0.00	1,759.50	0.00	1,759.50	100.00
001-0410-5025	Workers Comp Expense	0.00	0.00	0.00	0.00	0.00	0.00	0.00
001-0410-5050	Physical & Drug Screen Exp	0.00	0.00	0.00	0.00	0.00	0.00	0.00
	E01 Sub Totals:	24,759.50	0.00	0.00	24,759.50	0.00	24,759.50	100.00
E10	Building & Grounds Exp							
001-0410-5102	Repairs & Maint - Building	2,000.00	0.00	0.00	2,000.00	0.00	2,000.00	100.00
001-0410-5104	Repairs & Maint - Grounds	13,000.00	0.00	0.00	13,000.00	0.00	13,000.00	100.00
001-0410-5105	Repairs & Maint - Pool	5,000.00	884.77	909.77	4,090.23	192.29	3,897.94	77.96
001-0410-5110	Utilities - Electric	7,000.00	866.22	2,698.94	4,301.06	0.00	4,301.06	61.44
001-0410-5111	Utilities - Gas	150.00	11.37	45.32	104.68	0.00	104.68	69.79
001-0410-5112	Utilities - Water	1,500.00	45.88	144.90	1,355.10	0.00	1,355.10	90.34
001-0410-5115	Com Exp - Tel Landline.Interne	1,620.00	135.93	405.83	1,214.17	0.00	1,214.17	74.95
001-0410-5120	Insurance - Property	500.00	0.00	0.00	500.00	0.00	500.00	100.00
	E10 Sub Totals:	30,770.00	1,944.17	4,204.76	26,565.24	192.29	26,372.95	85.71
E30	Supply Expense							
001-0410-5308	Supplies - Concession	3,500.00	0.00	0.00	3,500.00	0.00	3,500.00	100.00
001-0410-5328	Supplies - Pools	12,000.00	0.00	0.00	12,000.00	596.38	11,403.62	95.03
	E30 Sub Totals:	15,500.00	0.00	0.00	15,500.00	596.38	14,903.62	96.15

Account Number	Description	Budget Amount	Period Amount	YTD Amount	YTD Var	Encumbered Amount	Available	% Available
E80	Fixed Assets							
001-0410-5816	Fixed Assets - Infrastructure	375,000.00	0.00	0.00	375,000.00	0.00	375,000.00	100.00
E80 Sub Totals:		375,000.00	0.00	0.00	375,000.00	0.00	375,000.00	100.00
	Expense Sub Totals:	446,029.50	1,944.17	4,204.76	441,824.74	788.67	441,036.07	98.88
	Dept 0410 Sub Totals:	375,029.50	-2,571.83	-1,206.24	376,235.74	788.67		
Dept R74	Parks - Midland Sponsorships							
001-0420-4740	User Agre Fees/Sponsors	24,000.00	0.00	0.00	24,000.00	0.00	24,000.00	100.00
R74 Sub Totals:		24,000.00	0.00	0.00	24,000.00	0.00	24,000.00	100.00
	Revenue Sub Totals:	24,000.00	0.00	0.00	24,000.00	0.00	24,000.00	100.00
E10	Building & Grounds Exp							
001-0420-5104	Repairs & Maint - Grounds	29,000.00	9,094.39	9,307.58	19,692.42	1,528.04	18,164.38	62.64
001-0420-5110	Utilities - Electric	18,744.00	1,327.00	2,717.72	16,026.28	0.00	16,026.28	85.50
001-0420-5112	Utilities - Water	1,380.00	118.57	351.20	1,028.80	0.00	1,028.80	74.55
E10 Sub Totals:		49,124.00	10,539.96	12,376.50	36,747.50	1,528.04	35,219.46	71.70
E80	Fixed Assets							
001-0420-5816	Fixed Assets Infrastructure	0.00	0.00	0.00	0.00	344,500.00	-344,500.00	0.00
E80 Sub Totals:		0.00	0.00	0.00	0.00	344,500.00	-344,500.00	0.00
	Expense Sub Totals:	49,124.00	10,539.96	12,376.50	36,747.50	346,028.04	-309,280.54	0.00
Dept R30	Dept 0420 Sub Totals:	25,124.00	10,539.96	12,376.50	12,747.50	346,028.04		
001-0430-4300	Parks - Bishop Membership Fees	335,000.00	13,881.25	36,963.75	298,036.25	0.00	298,036.25	88.97
001-0430-4304	Membership Family Membership Silver Sneakers	35,000.00	3,919.50	11,357.50	23,642.50	0.00	23,642.50	67.55
R33	Rental Fees							
001-0430-4332	Equipment Rental	80,545.00	3,705.00	8,975.00	71,570.00	0.00	71,570.00	88.86
001-0430-4340	Room Rental Party Room	15,000.00	1,200.00	2,355.00	12,645.00	0.00	12,645.00	84.30
001-0430-4350	Use Agreement Fees	26,450.00	6,000.00	6,000.00	20,450.00	0.00	20,450.00	77.32
001-0430-4354	Tournaments	65,000.00	3,740.00	5,720.00	59,280.00	0.00	59,280.00	91.20
R33 Sub Totals:		186,995.00	14,645.00	23,050.00	163,945.00	0.00	163,945.00	87.67

Account Number	Description	Budget Amount	Period Amount	YTD Amount	YTD Var	Encumbered Amount	Available	% Available
R36	Park Program Fees							
001-0430-4364	Basketball	63,000.00	30.00	-136.00	63,136.00	0.00	63,136.00	100.22
001-0430-4366	BASS Swim Program	38,000.00	3,079.00	8,729.40	29,270.60	0.00	29,270.60	77.03
001-0430-4382	Pool Swim Lessons	55,000.00	6,214.60	11,959.00	43,041.00	0.00	43,041.00	78.26
	<b>R36 Sub Totals:</b>	<b>156,000.00</b>	<b>9,323.60</b>	<b>20,552.40</b>	<b>135,447.60</b>	<b>0.00</b>	<b>135,447.60</b>	<b>86.83</b>
R50	Sale of Services							
001-0430-4500	Concessions - Bishop	75,000.00	3,548.55	5,244.05	69,755.95	0.00	69,755.95	93.01
001-0430-4514	Daily Admissions Adults	35,000.00	3,145.00	7,681.25	27,318.75	0.00	27,318.75	78.05
001-0430-4530	Merchandise Sales	10,000.00	22.00	513.50	9,486.50	0.00	9,486.50	94.87
001-0430-4534	Red Cross Programs	12,000.00	3,700.00	3,950.00	8,050.00	0.00	8,050.00	67.08
	<b>R50 Sub Totals:</b>	<b>132,000.00</b>	<b>10,415.55</b>	<b>17,388.80</b>	<b>114,611.20</b>	<b>0.00</b>	<b>114,611.20</b>	<b>86.83</b>
R60	Miscellaneous Revenue							
001-0430-4600	Miscellaneous Revenue	5,000.00	293.37	3,096.56	1,903.44	0.00	1,903.44	38.07
	<b>R60 Sub Totals:</b>	<b>5,000.00</b>	<b>293.37</b>	<b>3,096.56</b>	<b>1,903.44</b>	<b>0.00</b>	<b>1,903.44</b>	<b>38.07</b>
R74	Sponsorships							
001-0430-4740	User Agre Fees/Sponsors	98,500.00	5,000.00	13,493.21	85,006.79	0.00	85,006.79	86.30
	<b>R74 Sub Totals:</b>	<b>98,500.00</b>	<b>5,000.00</b>	<b>13,493.21</b>	<b>85,006.79</b>	<b>0.00</b>	<b>85,006.79</b>	<b>86.30</b>
	<b>Revenue Sub Totals:</b>	<b>948,495.00</b>	<b>57,478.27</b>	<b>125,902.22</b>	<b>822,592.78</b>	<b>0.00</b>	<b>822,592.78</b>	<b>86.73</b>
E01	Personnel Expense							
001-0430-5000	Salary Expense	380,569.00	28,748.22	80,999.65	299,569.35	0.00	299,569.35	78.72
001-0430-5001	Part Time Labor	185,000.00	18,626.38	49,998.58	135,001.42	0.00	135,001.42	72.97
001-0430-5010	Overtime Expense	5,000.00	1,247.88	2,744.51	2,255.49	0.00	2,255.49	45.11
001-0430-5020	FICA Expense	43,647.95	3,804.75	10,410.45	33,237.50	0.00	33,237.50	76.15
001-0430-5022	Unemployment Expense	1,540.00	0.00	145.92	1,394.08	0.00	1,394.08	90.52
001-0430-5025	Worker's Comp Expense	4,200.00	0.00	4,667.46	-467.46	0.00	-467.46	0.00
001-0430-5030	APERS Expense	58,750.17	4,595.41	12,829.60	45,920.57	0.00	45,920.57	78.16
001-0430-5040	Health Insurance Expense	52,971.96	4,327.72	11,305.56	41,666.40	0.00	41,666.40	78.66
001-0430-5050	Physical & Drug Screen Exp	1,200.00	0.00	59.80	1,140.20	14.95	1,125.25	93.77
001-0430-5055	Uniform Expense	4,000.00	0.00	157.49	3,842.51	0.00	3,842.51	96.06
	<b>E01 Sub Totals:</b>	<b>736,879.08</b>	<b>61,350.36</b>	<b>173,319.02</b>	<b>563,560.06</b>	<b>14.95</b>	<b>563,545.11</b>	<b>76.48</b>
E10	Building & Grounds Exp							
001-0430-5102	Repairs & Maint - Building	55,400.00	7,331.14	10,046.70	45,353.30	16,501.47	28,851.83	52.08
001-0430-5104	Repairs & Maint - Grounds	78,000.00	6,694.45	12,219.82	65,780.18	12,076.26	53,703.92	68.85
001-0430-5105	Repairs & Maint - Pool	55,000.00	47,161.16	55,902.91	-902.91	34,867.73	-35,770.64	0.00
001-0430-5106	Repairs & Maint - Splash Pad	7,000.00	0.00	0.00	7,000.00	0.00	7,000.00	100.00
001-0430-5110	Utilities - Electric	220,000.00	15,224.87	50,517.11	169,482.89	0.00	169,482.89	77.04

Account Number	Description	Budget Amount	Period Amount	YTD Amount	YTD Var	Encumbered Amount	Available	% Available
001-0430-5111	Utilities - Gas	38,000.00	7,817.50	20,310.07	17,689.93	0.00	17,689.93	46.55
001-0430-5112	Utilities - Water	8,984.00	596.84	1,633.30	7,350.70	0.00	7,350.70	81.82
001-0430-5115	Com Exp - Tel Landline/Interme	21,804.00	1,798.94	5,375.53	16,428.47	0.00	16,428.47	75.35
001-0430-5116	Communication Exp - Cellular	6,240.00	518.36	1,555.40	4,684.60	0.00	4,684.60	75.07
001-0430-5120	Insurance - Property	38,230.00	0.00	0.00	38,230.00	0.00	38,230.00	100.00
001-0430-5130	Sanitation	34,500.00	0.00	4,996.40	29,503.60	5,000.00	24,503.60	71.02
001-0430-5140	Supplies - B&G	2,000.00	151.06	151.06	1,848.94	0.00	1,848.94	92.45
001-0430-5142	Janitorial Supplies and Main	25,000.00	3,010.92	3,909.63	21,090.37	1,021.40	20,068.97	80.28
E10 Sub Totals:		590,158.00	90,305.24	166,617.93	423,540.07	69,466.86	354,073.21	60.00
E20	Vehicle Expense							
001-0430-5212	Service & Repair - Equipment	20,000.00	107.81	4,882.09	15,117.91	595.58	14,522.33	72.61
E20 Sub Totals:		20,000.00	107.81	4,882.09	15,117.91	595.58	14,522.33	72.61
E30	Supply Expense							
001-0430-5300	Supplies - Office	2,500.00	445.15	1,007.24	1,492.76	24.92	1,467.84	58.71
001-0430-5308	Supplies - Concession	60,000.00	4,569.38	6,048.51	53,951.49	0.00	53,951.49	89.92
001-0430-5330	Supplies - Park Programs	14,000.00	2,038.52	2,608.36	11,391.64	3,803.09	7,588.55	54.20
001-0430-5332	Supplies - Resale Merchandise	6,000.00	42.12	61.57	5,938.43	0.00	5,938.43	98.97
E30 Sub Totals:		82,500.00	7,095.17	9,725.68	72,774.32	3,828.01	68,946.31	83.57
E40	Operations Expense							
001-0430-5460	BASS Program Expense	12,000.00	1,859.00	3,395.75	8,604.25	44.47	8,559.78	71.33
001-0430-5461	Aquatic Program Expense	6,000.00	347.21	2,339.43	3,660.57	440.08	3,220.49	53.67
001-0430-5475	Credit Card Fees	9,780.00	531.93	1,433.57	8,346.43	63.04	8,283.39	84.70
001-0430-5480	Dues & Subscriptions	1,843.40	0.00	0.00	1,843.40	875.00	968.40	52.53
E40 Sub Totals:		29,623.40	2,738.14	7,168.75	22,454.65	1,422.59	21,032.06	71.00
E55	Professional Services							
001-0430-5553	Prof Services - Advertising	3,500.00	0.00	0.00	3,500.00	0.00	3,500.00	100.00
001-0430-5585	Prof Services - Basketball	38,000.00	8,255.56	23,780.39	14,219.61	0.00	14,219.61	37.42
001-0430-5586	Prof Services - Other	87,000.00	3,045.88	6,558.39	80,441.61	897.33	79,544.28	91.43
001-0430-5587	Prof Services - Aerobic Instr	62,220.00	3,110.00	6,040.00	56,180.00	0.00	56,180.00	90.29
001-0430-5589	Prof Services - Printing	5,000.00	0.00	0.00	5,000.00	29.66	4,970.34	99.41
E55 Sub Totals:		195,720.00	14,411.44	36,378.78	159,341.22	926.99	158,414.23	80.94
E60	Miscellaneous Expense							
001-0430-5485	Inspections & Monitoring	3,900.00	303.25	303.25	3,596.75	3,938.00	-341.25	0.00
E60 Sub Totals:		3,900.00	303.25	303.25	3,596.75	3,938.00	-341.25	0.00
E80	Fixed Assets							
001-0430-5810	Fixed Assets - Equipment	15,000.00	0.00	0.00	15,000.00	0.00	15,000.00	100.00

Account Number	Description	Budget Amount	Period Amount	YTD Amount	YTD Var	Encumbered Amount	Available	% Available
001-0430-5816	Fixed Assets - Infrastructure	66,225.00	0.00	0.00	66,225.00	58,725.00	7,500.00	11.33
	E80 Sub Totals:	81,225.00	0.00	0.00	81,225.00	58,725.00	22,500.00	27.70
	Expense Sub Totals:	1,740,005.48	176,311.41	398,395.50	1,341,609.98	138,917.98	1,202,692.00	69.12
Dept 001-0440	Dept 0430 Sub Totals:	791,510.48	118,833.14	272,493.28	519,017.20	138,917.98		
R36	Parks - Alcoa							
001-0440-4260	Park Program Fees	1,000.00	140.00	140.00	860.00	0.00	860.00	86.00
	Parks Rental	1,000.00	140.00	140.00	860.00	0.00	860.00	86.00
R64	R36 Sub Totals:							
001-0440-4640	Reimbursement	0.00	0.00	0.00	0.00	0.00	0.00	0.00
	Reimbursement Revenue	0.00	0.00	0.00	0.00	0.00	0.00	0.00
R74	R64 Sub Totals:							
001-0440-4740	Sponsorships	5,000.00	0.00	0.00	5,000.00	0.00	5,000.00	100.00
	User Agre Fees/Sponsors	5,000.00	0.00	0.00	5,000.00	0.00	5,000.00	100.00
	R74 Sub Totals:	6,000.00	140.00	140.00	5,860.00	0.00	5,860.00	97.67
E10	Revenue Sub Totals:	15,000.00	3,896.10	3,896.10	11,103.90	121.29	10,982.61	73.22
001-0440-5104	Building & Grounds Exp	3,500.00	755.01	2,869.81	630.19	0.00	630.19	18.01
001-0440-5110	Repairs & Maint - Grounds	1,056.00	73.11	216.61	839.39	0.00	839.39	79.49
	Utilities - Electric							
	Utilities - Water							
E80	E10 Sub Totals:	19,556.00	4,724.22	6,982.52	12,573.48	121.29	12,452.19	63.67
001-0440-5816	Fixed Assets	0.00	0.00	0.00	0.00	0.00	0.00	0.00
	Fixed Assets - Infrastructure	0.00	0.00	0.00	0.00	0.00	0.00	0.00
	E80 Sub Totals:	19,556.00	4,724.22	6,982.52	12,573.48	121.29	12,452.19	63.67
	Expense Sub Totals:	13,556.00	4,584.22	6,842.52	6,713.48	121.29		
Dept 001-0450	Dept 0440 Sub Totals:	5,000.00	560.00	1,015.00	3,985.00	0.00	3,985.00	79.70
R36	Parks - Ashley							
001-0450-4260	Park Program Fees	5,000.00	560.00	1,015.00	3,985.00	0.00	3,985.00	79.70
	Parks Rental	5,000.00	560.00	1,015.00	3,985.00	0.00	3,985.00	79.70
	R36 Sub Totals:							

Account Number	Description	Budget Amount	Period Amount	YTD Amount	YTD Var	Encumbered Amount	Available	% Available
	Revenue Sub Totals:	5,000.00	560.00	1,015.00	3,985.00		3,985.00	79.70
E10	Building & Grounds Exp							
001-0450-5104	Repairs & Maint - Grounds	7,000.00	690.66	690.66	6,309.34		6,309.34	90.13
001-0450-5110	Utilities - Electric	4,000.00	0.00	0.00	4,000.00		4,000.00	100.00
	E10 Sub Totals:	11,000.00	690.66	690.66	10,309.34		10,309.34	93.72
	Expense Sub Totals:	11,000.00	690.66	690.66	10,309.34		10,309.34	93.72
	Dept 0450 Sub Totals:	6,000.00	130.66	-324.34	6,324.34	0.00		
Dept	Fire							
R15	Taxes - Property							
001-0500-4156	Fire Rescue Funds	700.00	0.00	0.00	700.00		700.00	100.00
	R15 Sub Totals:	700.00	0.00	0.00	700.00		700.00	100.00
R33	Rental Fees							
001-0500-4350	Use Agreement Fees	0.00	1,540.00	1,540.00	-1,540.00		-1,540.00	0.00
	R33 Sub Totals:	0.00	1,540.00	1,540.00	-1,540.00		-1,540.00	0.00
R60	Miscellaneous Revenue							
001-0500-4600	Miscellaneous Revenue	250.00	232.00	232.00	18.00		18.00	7.20
	R60 Sub Totals:	250.00	232.00	232.00	18.00		18.00	7.20
R62	Intergovernmental Tsfrs							
001-0500-4627	Xfer Designated Tax	1,484,584.00	123,715.00	371,145.00	1,113,439.00		1,113,439.00	75.00
001-0500-4629	Xfer Fire Special Tax	2,226,876.00	185,573.00	556,719.00	1,670,157.00		1,670,157.00	75.00
	R62 Sub Totals:	3,711,460.00	309,288.00	927,864.00	2,783,596.00		2,783,596.00	75.00
	Revenue Sub Totals:	3,712,410.00	311,060.00	929,636.00	2,782,774.00		2,782,774.00	74.96
E01	Personnel Expense							
001-0500-5000	Salary Expense	2,585,691.44	172,017.10	534,168.93	2,051,522.51		2,051,522.51	79.34
001-0500-5005	SWB Reimbursement	184,986.00	15,415.50	46,246.50	138,739.50		138,739.50	75.00
001-0500-5010	Overtime Expense	234,514.55	14,505.59	54,052.92	180,461.63		180,461.63	76.95
001-0500-5020	FICA Expense	43,915.17	2,869.24	8,951.42	34,963.75		34,963.75	79.62
001-0500-5022	Unemployment Expense	3,000.00	0.00	13.71	2,986.29		2,986.29	99.54
001-0500-5025	Worker's Comp Expense	62,000.00	0.00	57,497.42	4,502.58		4,502.58	7.26
001-0500-5030	APERS Expense	7,467.72	555.55	1,484.13	5,983.59		5,983.59	80.13
001-0500-5035	LOPFI Expense	651,293.37	43,287.71	136,857.94	514,435.43		514,435.43	78.99
001-0500-5036	LOPFI Perm Advance	-170,000.00	0.00	-60.64	-169,939.36		-169,939.36	0.00
001-0500-5040	Health Insurance Expense	440,880.12	34,100.99	98,982.91	341,897.21		341,897.21	77.55

Account Number	Description	Budget Amount	Period Amount	YTD Amount	YTD Var	Encumbered Amount	Available	% Available
001-0500-5050	Physical & Drug Screen Exp	7,000.00	0.00	-700.00	7,700.00	44.85	7,655.15	109.36
001-0500-5055	Uniform Expense	20,000.00	975.20	1,752.40	18,247.60	2,453.49	15,794.11	78.97
001-0500-5060	Travel & Training Expense	23,000.00	5,631.00	6,149.00	16,851.00	1,362.18	15,488.82	67.34
001-0500-5061	Training Aids	12,500.00	988.77	1,073.10	11,426.90	0.00	11,426.90	91.42
E01 Sub Totals:		4,106,248.37	290,346.65	946,469.74	3,159,778.63	3,860.52	3,155,918.11	76.86
E10	Building & Grounds Exp							
001-0500-5102	Repairs & Maint - Building	37,233.18	4,579.64	7,367.45	29,865.73	696.27	29,169.46	78.34
001-0500-5110	Utilities - Electric	39,900.00	3,687.47	10,583.51	29,316.49	0.00	29,316.49	73.47
001-0500-5111	Utilities - Gas	5,500.00	1,383.82	3,450.40	2,049.60	0.00	2,049.60	37.27
001-0500-5112	Utilities - Water	7,000.00	434.30	1,230.96	5,769.04	0.00	5,769.04	82.41
001-0500-5115	Com Exp - Tel Landline,Interne	27,927.96	2,243.43	6,724.86	21,203.10	0.00	21,203.10	75.92
001-0500-5116	Communication Exp - Cellular	9,780.00	781.72	2,344.46	7,435.54	0.00	7,435.54	76.03
001-0500-5120	Insurance - Property	29,076.00	0.00	0.00	29,076.00	0.00	29,076.00	100.00
001-0500-5130	Sanitation	2,900.00	314.70	1,103.65	1,796.35	0.00	1,796.35	61.94
001-0500-5141	Pest/Chem/Seed/Fert	2,000.00	253.80	253.80	1,746.20	0.00	1,746.20	87.31
001-0500-5142	Janitorial Supplies and Main	13,500.00	910.90	3,583.44	9,916.56	368.69	9,547.87	70.72
001-0500-5145	Tools	2,200.00	30.27	217.93	1,982.07	133.99	1,848.08	84.00
E10 Sub Totals:		177,017.14	14,620.05	36,860.46	140,156.68	1,198.95	138,957.73	78.50
E20	Vehicle Expense							
001-0500-5200	Fuel Expense	36,000.00	3,825.74	10,192.43	25,807.57	68.12	25,739.45	71.50
001-0500-5210	Service & Repair - Vehicle	9,700.00	108.77	329.98	9,370.02	346.99	9,023.03	93.02
001-0500-5212	Service & Repair - Equipment	3,000.00	250.44	294.80	2,705.20	202.31	2,502.89	83.43
001-0500-5216	Service & Repair - Apparatus	42,000.00	3,323.56	6,655.48	35,344.52	2,239.87	33,104.65	78.82
001-0500-5218	Tire Expense	14,348.60	499.78	8,018.10	6,330.50	0.00	6,330.50	44.12
001-0500-5225	Insurance Expense - Vehicle	22,998.46	0.00	19,446.15	3,552.31	0.00	3,552.31	15.45
001-0500-5230	Radios	5,500.00	147.46	547.46	4,952.54	0.00	4,952.54	90.05
E20 Sub Totals:		133,547.06	8,155.75	45,484.40	88,062.66	2,857.29	85,205.37	63.80
E30	Supply Expense							
001-0500-5300	Supplies - Office	3,250.00	4.40	377.58	2,872.42	9.58	2,862.84	88.09
001-0500-5302	Supplies - Kitchen	1,200.00	8.89	174.33	1,025.67	155.21	870.46	72.54
001-0500-5306	Supplies - Food Allowance	43,800.00	3,393.50	6,098.30	37,701.70	3,338.29	34,363.41	78.46
001-0500-5318	Supplies - Foam	1,500.00	1,461.34	1,461.34	38.66	0.00	38.66	2.58
001-0500-5320	Supplies - Hazardous Mat'l	2,000.00	513.59	541.06	1,458.94	30.84	1,428.10	71.41
001-0500-5323	Material and Maint	100,420.00	60.39	60.39	100,359.61	160.41	100,199.20	99.78
001-0500-5350	Postage Expense	650.00	17.53	155.82	494.18	83.78	410.40	63.14
E30 Sub Totals:		152,820.00	5,459.64	8,868.82	143,951.18	3,778.11	140,173.07	91.72
E40	Operations Expense							
001-0500-5480	Dues & Subscriptions	1,000.00	266.00	266.00	734.00	0.00	734.00	73.40



Account Number	Description	Budget Amount	Period Amount	YTD Amount	YTD Var	Encumbered Amount	Available	% Available
001-0500-5530	Safety Program	13,000.00	0.00	0.00	13,000.00	2,299.50	10,700.50	82.31
	E40 Sub Totals:	14,000.00	266.00	266.00	13,734.00	2,299.50	11,434.50	81.68
E55	Professional Services							
001-0500-5553	Prof Services - Advertising	1,000.00	0.00	0.00	1,000.00	0.00	1,000.00	100.00
001-0500-5574	Prof Services - GIS	600.00	0.00	0.00	600.00	0.00	600.00	100.00
001-0500-5589	Prof Services - Printing	500.00	0.00	0.00	500.00	0.00	500.00	100.00
	E55 Sub Totals:	2,100.00	0.00	0.00	2,100.00	0.00	2,100.00	100.00
E60	Miscellaneous Expense							
001-0500-5604	Hardware - New & Renewals	11,100.00	0.00	0.00	11,100.00	0.00	11,100.00	100.00
001-0500-5608	Software - New & Renewals	2,425.00	0.00	1,699.42	725.58	1,123.84	-398.26	0.00
	E60 Sub Totals:	13,525.00	0.00	1,699.42	11,825.58	1,123.84	10,701.74	79.13
E72	Bond Expense							
001-0500-5840	Principal for Loans	169,696.51	14,050.32	42,073.51	127,623.00	0.00	127,623.00	75.21
	E72 Sub Totals:	169,696.51	14,050.32	42,073.51	127,623.00	0.00	127,623.00	75.21
E80	Fixed Assets							
001-0500-5808	Fixed Assets - Vehicles	0.00	221.21	442.42	-442.42	0.00	-442.42	0.00
001-0500-5816	Fixed Assets - Infrastructure	24,000.00	0.00	0.00	24,000.00	0.00	24,000.00	100.00
	E80 Sub Totals:	24,000.00	221.21	442.42	23,557.58	0.00	23,557.58	98.16
E85	Interest Expense							
001-0500-5850	Interest Expense	2,671.40	313.68	1,018.47	1,652.93	0.00	1,652.93	61.88
	E85 Sub Totals:	2,671.40	313.68	1,018.47	1,652.93	0.00	1,652.93	61.88
	Expense Sub Totals:	4,795,625.48	333,433.30	1,083,183.24	3,712,442.24	15,118.21	3,697,324.03	77.10
	Dept 0500 Sub Totals:	1,083,215.48	22,373.30	153,547.24	929,668.24	15,118.21		
Dept 001-0510	Fire - Springhill Vol							
R15	Taxes - Property							
001-0510-4152	Springhill VFD Assessment	55,000.00	157.03	772.26	54,227.74	0.00	54,227.74	98.60
	R15 Sub Totals:	55,000.00	157.03	772.26	54,227.74	0.00	54,227.74	98.60
	Revenue Sub Totals:	55,000.00	157.03	772.26	54,227.74	0.00	54,227.74	98.60
E30	Supply Expense							
001-0510-5323	Material and Maint	68,646.71	1,223.74	5,569.86	63,076.85	979.73	62,097.12	90.46
	E30 Sub Totals:	68,646.71	1,223.74	5,569.86	63,076.85	979.73	62,097.12	90.46

Account Number	Description	Budget Amount	Period Amount	YTD Amount	YTD Var	Encumbered Amount	Available	% Available
	Expense Sub Totals:	68,646.71	1,223.74	5,569.86	63,076.85	979.73	62,097.12	90.46
Dept 001-0600	Dept 0510 Sub Totals:	13,646.71	1,066.71	4,797.60	8,849.11	979.73		
R40	Police							
	Fines & Forfeitures							
001-0600-4422	Intoximeter Revenue	780.00	67.14	201.42	578.58	0.00	578.58	74.18
	R40 Sub Totals:	780.00	67.14	201.42	578.58	0.00	578.58	74.18
R60	Miscellaneous Revenue							
001-0600-4600	Miscellaneous Revenue	12,000.00	0.00	-1,420.79	13,420.79	0.00	13,420.79	111.84
	R60 Sub Totals:	12,000.00	0.00	-1,420.79	13,420.79	0.00	13,420.79	111.84
R62	Intergovernmental Tsfrs							
001-0600-4627	Xfer Designated Tax	1,484,584.00	123,715.00	371,145.00	1,113,439.00	0.00	1,113,439.00	75.00
	R62 Sub Totals:	1,484,584.00	123,715.00	371,145.00	1,113,439.00	0.00	1,113,439.00	75.00
R66	Sale of Equipment							
001-0600-4900	Sale of Fixed Assets	25,000.00	0.00	0.00	25,000.00	0.00	25,000.00	100.00
	R66 Sub Totals:	25,000.00	0.00	0.00	25,000.00	0.00	25,000.00	100.00
R70	Grant Revenue							
001-0600-4700	Grant - Police DUI/Step	26,700.00	0.00	3,503.85	23,196.15	0.00	23,196.15	86.88
001-0600-4702	Grant - Body Armor	4,500.00	0.00	0.00	4,500.00	0.00	4,500.00	100.00
001-0600-4704	Grant - JAG Equip	2,500.00	0.00	0.00	2,500.00	0.00	2,500.00	100.00
	R70 Sub Totals:	33,700.00	0.00	3,503.85	30,196.15	0.00	30,196.15	89.60
	Revenue Sub Totals:	1,556,064.00	123,782.14	373,429.48	1,182,634.52	0.00	1,182,634.52	76.00
E01	Personnel Expense							
001-0600-5000	Salary Expense	2,172,416.61	161,290.23	490,016.44	1,682,400.17	0.00	1,682,400.17	77.44
001-0600-5005	SWB Reimbursement	184,986.00	15,415.50	46,246.50	138,739.50	0.00	138,739.50	75.00
001-0600-5010	Overtime Expense	65,000.00	4,282.27	15,523.92	49,476.08	0.00	49,476.08	76.12
001-0600-5020	FICA Expense	171,162.38	12,631.04	38,427.70	132,734.68	0.00	132,734.68	77.55
001-0600-5022	Unemployment Expense	2,460.00	0.00	145.44	2,314.56	0.00	2,314.56	94.09
001-0600-5025	Worker's Comp Expense	17,000.00	0.00	14,589.34	2,410.66	0.00	2,410.66	14.18
001-0600-5030	APERS Expense	12,106.54	923.62	2,753.32	9,353.22	0.00	9,353.22	77.26
001-0600-5035	LOPFI Expense	507,720.15	38,291.79	116,539.29	391,180.86	0.00	391,180.86	77.05
001-0600-5036	LOPFI Prem Advance	-155,000.00	0.00	-66.14	-154,933.86	0.00	-154,933.86	0.00
001-0600-5040	Health Insurance Expense	370,499.16	28,418.21	84,722.56	285,776.60	0.00	285,776.60	77.13
001-0600-5050	Physical & Drug Screen Exp	3,000.00	588.00	588.00	2,412.00	0.00	2,412.00	80.40
001-0600-5055	Uniform Expense	16,000.00	939.67	6,717.15	9,282.85	327.08	8,955.77	55.97

Account Number	Description	Budget Amount	Period Amount	YTD Amount	YTD Var	Encumbered Amount	Available	% Available
001-0600-5056	Uniform Expenses - PR Benefit	15,500.00	1,200.00	3,570.00	11,930.00	0.00	11,930.00	76.97
001-0600-5057	Uniform Expense - New Officer	15,000.00	3,148.75	3,476.36	11,523.64	0.00	11,523.64	76.82
001-0600-5060	Travel & Training Expense	28,000.00	2,449.00	6,100.30	21,899.70	2,265.00	19,634.70	70.12
001-0600-5061	Training Aids	3,000.00	98.76	140.65	2,859.35	456.37	2,402.98	80.10
001-0600-5065	First Aid Expense	500.00	0.00	0.00	500.00	19.57	480.43	96.09
001-0600-5705	Grant Expense - DUJ/Step	26,700.00	8,630.62	10,500.94	16,199.06	0.00	16,199.06	60.67
	<b>E01 Sub Totals:</b>	<b>3,456,050.84</b>	<b>278,307.46</b>	<b>839,991.77</b>	<b>2,616,059.07</b>	<b>3,068.02</b>	<b>2,612,991.05</b>	<b>75.61</b>
E10	Building & Grounds Exp							
001-0600-5102	Repairs & Maint - Building	17,233.19	2,359.53	5,397.33	11,835.86	86.21	11,749.65	68.18
001-0600-5110	Utilities - Electric	13,992.00	1,033.29	3,185.64	10,806.36	0.00	10,806.36	77.23
001-0600-5111	Utilities - Gas	1,100.00	257.39	650.77	449.23	0.00	449.23	40.84
001-0600-5112	Utilities - Water	1,600.00	85.10	233.78	1,366.22	0.00	1,366.22	85.39
001-0600-5115	Com Exp - Tel Landline-Interne	27,328.92	1,748.30	5,266.47	22,062.45	0.00	22,062.45	80.73
001-0600-5116	Communication Exp - Cellular	47,845.00	3,831.85	10,969.66	36,875.34	1,278.25	35,597.09	74.40
001-0600-5120	Insurance - Property	4,733.00	0.00	0.00	4,733.00	0.00	4,733.00	100.00
001-0600-5130	Sanitation	780.00	0.00	241.25	538.75	0.00	538.75	69.07
001-0600-5142	Janitorial Supplies and Main	5,000.00	239.85	786.88	4,213.12	288.85	3,924.27	78.49
	<b>E10 Sub Totals:</b>	<b>119,612.11</b>	<b>9,555.31</b>	<b>26,731.78</b>	<b>92,880.33</b>	<b>1,653.31</b>	<b>91,227.02</b>	<b>76.27</b>
E20	Vehicle Expense							
001-0600-5200	Fuel Expense	156,000.00	14,107.31	41,571.42	114,428.58	39.53	114,389.05	73.33
001-0600-5210	Service & Repair - Vehicle	50,000.00	7,006.27	24,141.83	25,858.17	4,078.88	21,779.29	43.56
001-0600-5212	Service & Repair - Equipment	1,500.00	0.00	0.00	1,500.00	1,313.11	186.89	12.46
001-0600-5213	Equipment Repairs	3,000.00	0.00	0.00	3,000.00	147.21	2,852.79	95.09
001-0600-5214	Service & Repair - Heavy Equip	750.00	0.00	0.00	750.00	0.00	750.00	100.00
001-0600-5218	Tire Expense	15,000.00	0.00	646.44	14,353.56	5,195.46	9,158.10	61.05
001-0600-5225	Insurance Expense - Vehicle	25,474.76	0.00	21,515.53	3,959.23	5,626.83	-1,667.60	0.00
001-0600-5230	Radios	7,877.66	0.00	2,877.66	5,000.00	0.00	5,000.00	63.47
001-0600-5245	Narcotics Rental	30,000.00	0.00	2,021.08	27,978.92	0.00	27,978.92	93.26
	<b>E20 Sub Totals:</b>	<b>289,602.42</b>	<b>21,113.58</b>	<b>92,773.96</b>	<b>196,828.46</b>	<b>16,401.02</b>	<b>180,427.44</b>	<b>62.30</b>
E30	Supply Expense							
001-0600-5300	Supplies - Office	6,000.00	187.98	1,071.90	4,928.10	872.75	4,055.35	67.59
001-0600-5310	Supplies - Weapons	21,309.61	0.00	0.00	21,309.61	18,570.84	2,738.77	12.85
001-0600-5312	Supplies - Ammunition	21,343.88	0.00	1,523.08	19,820.80	1,743.88	18,076.92	84.69
001-0600-5314	Supplies - Vests	33,000.00	1,768.86	1,768.86	31,231.14	22,134.32	9,096.82	27.57
001-0600-5322	Supplies - Operating - CID	2,900.00	2,720.23	2,720.23	179.77	427.97	-248.20	0.00
001-0600-5350	Postage Expense	1,300.00	15.64	157.59	1,142.41	83.78	1,058.63	81.43
001-0600-5380	Prisoner Care Expense	500.00	0.00	0.00	500.00	0.00	500.00	100.00
	<b>E30 Sub Totals:</b>	<b>86,353.49</b>	<b>4,692.71</b>	<b>7,241.66</b>	<b>79,111.83</b>	<b>43,833.54</b>	<b>35,278.29</b>	<b>40.85</b>

Account Number	Description	Budget Amount	Period Amount	YTD Amount	YTD Var	Encumbered Amount	Available	% Available
E40	Operations Expense							
001-0600-5480	Dues & Subscriptions	2,000.00	505.00	1,435.00	565.00	0.00	565.00	28.25
001-0600-5525	Comm Crime Prevention Outreach	5,900.00	0.00	0.00	5,900.00	74.95	5,825.05	98.73
001-0600-5530	Safety Program	2,000.00	0.00	0.00	2,000.00	60.51	1,939.49	96.97
001-0600-5531	Radios - Police	1,200.00	0.00	0.00	1,200.00	0.00	1,200.00	100.00
E40 Sub Totals:		11,100.00	505.00	1,435.00	9,665.00	135.46	9,529.54	85.85
E55	Professional Services							
001-0600-5553	Prof Services - Advertising	1,000.00	0.00	0.00	1,000.00	0.00	1,000.00	100.00
001-0600-5586	Prof Services - Other	6,000.00	6,143.52	6,551.52	-551.52	120.00	-671.52	0.00
001-0600-5589	Prof Services - Printing	500.00	0.00	0.00	500.00	0.00	500.00	100.00
E55 Sub Totals:		7,500.00	6,143.52	6,551.52	948.48	120.00	828.48	11.05
E60	Miscellaneous Expense							
001-0600-5604	Hardware - New & Renewals	38,000.00	0.00	0.00	38,000.00	104.27	37,895.73	99.73
001-0600-5608	Software - New & Renewals	46,025.00	2,994.99	33,737.98	12,287.02	5,207.28	7,079.74	15.38
001-0600-5616	Interpreter-Police	500.00	0.00	0.00	500.00	0.00	500.00	100.00
001-0600-5617	Misc/Equipment Police	800.00	18.62	96.64	703.36	0.00	703.36	87.92
E60 Sub Totals:		85,325.00	3,013.61	33,834.62	51,490.38	5,311.55	46,178.83	54.12
E70	Grant Expense							
001-0600-5700	Grant Expense	4,500.00	0.00	0.00	4,500.00	0.00	4,500.00	100.00
E70 Sub Totals:		4,500.00	0.00	0.00	4,500.00	0.00	4,500.00	100.00
E72	Bond Expense							
001-0600-5840	Principal for Loans	1,092,266.71	35,485.13	109,517.76	982,748.95	284,147.48	698,601.47	63.96
E72 Sub Totals:		1,092,266.71	35,485.13	109,517.76	982,748.95	284,147.48	698,601.47	63.96
E80	Fixed Assets							
001-0600-5806	Fixed Assets - Buildings	585,000.00	0.00	311,023.43	273,976.57	212,298.96	61,677.61	10.54
001-0600-5808	Fixed Assets - Vehicles/Other	0.00	16,231.58	22,911.40	-22,911.40	0.00	-22,911.40	0.00
001-0600-5810	Fixed Assets - Equipment	36,380.58	36,380.58	36,380.58	0.00	0.00	0.00	0.00
001-0600-5816	Fixed Assets - Infrastructure	0.00	0.00	0.00	0.00	0.00	0.00	0.00
E80 Sub Totals:		621,380.58	52,612.16	370,315.41	251,065.17	212,298.96	38,766.21	6.24
E85	Interest Expense							
001-0600-5850	Interest Expense	109,159.14	3,236.72	9,916.33	99,242.81	16,461.52	82,781.29	75.84
E85 Sub Totals:		109,159.14	3,236.72	9,916.33	99,242.81	16,461.52	82,781.29	75.84
Expense Sub Totals:		5,882,850.29	414,665.20	1,498,309.81	4,384,540.48	583,430.86	3,801,109.62	64.61

Account Number	Description	Budget Amount	Period Amount	YTD Amount	YTD Var	Encumbered Amount	Available	% Available
Dept 001-0610	Dept 0600 Sub Totals:							
R60	Police - Dispatch	4,326,786.29	290,883.06	1,124,880.33	3,201,905.96	583,430.86		
001-0610-4650	Miscellaneous Revenue						164,420.43	69.08
	Emerg Telephone Service Rev	238,000.00	73,579.57	73,579.57	164,420.43	0.00	164,420.43	69.08
	R60 Sub Totals:	238,000.00	73,579.57	73,579.57	164,420.43	0.00	164,420.43	69.08
	Revenue Sub Totals:	238,000.00	73,579.57	73,579.57	164,420.43	0.00	164,420.43	69.08
E01	Personnel Expense							
001-0610-5000	Salary Expense	420,480.26	24,073.44	73,544.00	346,936.26	0.00	346,936.26	82.51
001-0610-5010	Overtime Expense	80,000.00	5,532.85	18,923.98	61,076.02	0.00	61,076.02	76.35
001-0610-5020	FICA Expense	38,067.99	2,217.60	6,908.88	31,159.11	0.00	31,159.11	81.85
001-0610-5022	Unemployment Expense	840.00	0.00	37.83	802.17	0.00	802.17	95.50
001-0610-5025	Worker's Comp Expense	10,000.00	0.00	8,581.99	1,418.01	0.00	1,418.01	14.18
001-0610-5030	APERS Expense	69,755.42	4,345.54	13,537.39	56,218.03	0.00	56,218.03	80.59
001-0610-5040	Health Insurance Expense	84,990.00	4,142.20	12,837.68	72,152.32	0.00	72,152.32	84.90
	E01 Sub Totals:	704,133.67	40,311.63	134,371.75	569,761.92	0.00	569,761.92	80.92
E55	Professional Services							
001-0610-5565	Prof Services - Dispatch	1,950.00	0.00	0.00	1,950.00	0.00	1,950.00	100.00
	E55 Sub Totals:	1,950.00	0.00	0.00	1,950.00	0.00	1,950.00	100.00
E60	Miscellaneous Expense							
001-0610-5650	Emerg Telephone Service Exp	67,640.00	0.00	297.77	67,342.23	0.00	67,342.23	99.56
	E60 Sub Totals:	67,640.00	0.00	297.77	67,342.23	0.00	67,342.23	99.56
E80	Fixed Assets							
001-0610-5808	Fixed Assets - Vehicles	0.00	297.77	595.54	-595.54	0.00	-595.54	0.00
001-0610-5816	Fixed Assets - Infrastructure	20,000.00	0.00	0.00	20,000.00	0.00	20,000.00	100.00
	E80 Sub Totals:	20,000.00	297.77	595.54	19,404.46	0.00	19,404.46	97.02
E85	Interest Expense							
001-0610-5850	Interest Expense	0.00	0.00	0.00	0.00	0.00	0.00	0.00
	E85 Sub Totals:	0.00	0.00	0.00	0.00	0.00	0.00	0.00
	Expense Sub Totals:	793,723.67	40,609.40	135,265.06	658,458.61	0.00	658,458.61	82.96
Dept 001-0620	Dept 0610 Sub Totals:							
R64	Police - SRO	555,723.67	-32,970.17	61,685.49	494,038.18	0.00		
	Reimbursement							

Account Number	Description	Budget Amount	Period Amount	YTD Amount	YTD Var	Encumbered Amount	Available	% Available
001-0620-4640	Bryant School - SRO Reim	293,000.00	0.00	0.00	293,000.00	0.00	293,000.00	100.00
	R64 Sub Totals:	293,000.00	0.00	0.00	293,000.00	0.00	293,000.00	100.00
	Revenue Sub Totals:	293,000.00	0.00	0.00	293,000.00	0.00	293,000.00	100.00
E01	Personnel Expense							
001-0620-5000	Salary Expense	374,128.02	24,246.00	78,242.00	295,886.02	0.00	295,886.02	79.09
001-0620-5010	Overtime Expense	1,000.00	0.00	305.10	694.90	0.00	694.90	69.49
001-0620-5020	FICA Expense	28,697.29	1,806.48	5,856.03	22,841.26	0.00	22,841.26	79.59
001-0620-5022	Unemployment Expense	480.00	0.00	0.00	480.00	0.00	480.00	100.00
001-0620-5025	Worker's Comp Expense	7,000.00	0.00	6,007.41	992.59	0.00	992.59	14.18
001-0620-5035	LOPFI Expense	88,155.09	5,751.87	18,613.71	69,541.38	0.00	69,541.38	78.89
001-0620-5036	LOPFI Prem Advance	-22,000.00	0.00	-17.59	-21,982.41	0.00	-21,982.41	0.00
001-0620-5040	Health Insurance Expense	80,433.60	5,381.67	16,677.08	63,756.52	0.00	63,756.52	79.27
001-0620-5050	Physical & Drug Screen Exp	500.00	0.00	0.00	500.00	0.00	500.00	100.00
001-0620-5056	Uniform Expenses	8,400.00	753.80	2,086.53	6,313.47	342.79	5,970.68	71.08
001-0620-5060	Travel & Training Expense	12,000.00	-450.00	2,330.00	9,670.00	1,009.10	8,660.90	72.17
	E01 Sub Totals:	578,794.00	37,509.82	130,100.27	448,693.73	1,351.89	447,341.84	77.29
E10	Building & Grounds Exp							
001-0620-5116	Communication Exp - Cellular	9,600.00	688.40	2,076.52	7,523.48	0.00	7,523.48	78.37
	E10 Sub Totals:	9,600.00	688.40	2,076.52	7,523.48	0.00	7,523.48	78.37
E60	Miscellaneous Expense							
001-0620-5608	Software - New & Renewals	2,500.00	0.00	0.00	2,500.00	0.00	2,500.00	100.00
	E60 Sub Totals:	2,500.00	0.00	0.00	2,500.00	0.00	2,500.00	100.00
	Expense Sub Totals:	590,894.00	38,198.22	132,176.79	458,717.21	1,351.89	457,365.32	77.40
	Dept 0620 Sub Totals:	297,894.00	38,198.22	132,176.79	165,717.21	1,351.89	164,365.32	55.57
Dept 001-0630	Police - K9							
E30	Supply Expense							
001-0630-5306	Supplies - Food Allowance	1,800.00	0.00	0.00	1,800.00	0.00	1,800.00	100.00
	E30 Sub Totals:	1,800.00	0.00	0.00	1,800.00	0.00	1,800.00	100.00
E40	Operations Expense							
001-0630-5500	K9 Training	5,500.00	0.00	58.26	5,441.74	0.00	5,441.74	98.94
	E40 Sub Totals:	5,500.00	0.00	58.26	5,441.74	0.00	5,441.74	98.94
E55	Professional Services							
001-0630-5592	Prof Services - Veterinarian	3,000.00	0.00	28.35	2,971.65	0.00	2,971.65	99.06

Account Number	Description	Budget Amount	Period Amount	YTD Amount	YTD Var	Encumbered Amount	Available	% Available
E55 Sub Totals:		3,000.00	0.00	28.35	2,971.65	0.00	2,971.65	99.06
Expense Sub Totals:		10,300.00	0.00	86.61	10,213.39	0.00	10,213.39	99.16
Dept 0630 Sub Totals:		10,300.00	0.00	86.61	10,213.39	0.00		
Code Enforcement								
Taxes - Sales								
Alcohol Sales Tax Collected		38,000.00	6,729.22	22,409.88	15,590.12	0.00	15,590.12	41.03
R10 Sub Totals:		38,000.00	6,729.22	22,409.88	15,590.12	0.00	15,590.12	41.03
Licenses Permits & Fees								
Act 474 Commercial Surcharge		8,000.00	1,014.18	3,327.56	4,672.44	0.00	4,672.44	58.41
Amusement Game Fees		120.00	0.00	0.00	120.00	0.00	120.00	100.00
Annex/Rezoning Fees		2,500.00	0.00	125.00	2,375.00	0.00	2,375.00	95.00
Business License		150,000.00	8,896.25	35,702.50	114,297.50	0.00	114,297.50	76.20
Commercial Remodel Permits		4,500.00	2,465.80	3,345.55	1,154.45	0.00	1,154.45	25.65
Drainage Fees		6,000.00	10.00	15.00	5,985.00	0.00	5,985.00	99.75
Electrical Permits		90,000.00	5,179.76	18,373.76	71,626.24	65.00	71,561.24	79.51
Electrical Reinspection		800.00	35.00	70.00	730.00	0.00	730.00	91.25
Fence Permits		450.00	400.00	425.00	25.00	0.00	25.00	5.56
HVACR Permits		50,000.00	3,814.94	12,645.94	37,354.06	0.00	37,354.06	74.71
Mobile Home Permits		1,500.00	120.00	270.00	1,230.00	0.00	1,230.00	82.00
New Commercial Permits		60,000.00	2,941.20	32,076.95	27,923.05	0.00	27,923.05	46.54
Permits - Other		1,000.00	1,385.62	1,425.62	-425.62	0.00	-425.62	0.00
Plumbing/Gas Inspections		50,000.00	3,221.02	9,003.80	40,996.20	0.00	40,996.20	81.99
Re-Inspection Fees		3,500.00	210.00	1,155.00	2,345.00	0.00	2,345.00	67.00
Residential Building Permits		40,000.00	1,458.24	6,930.12	33,069.88	0.00	33,069.88	82.67
Residential Remodel Permits		3,500.00	235.00	535.00	2,965.00	0.00	2,965.00	84.71
Sanitation License		250.00	25.00	75.00	175.00	0.00	175.00	70.00
Sign Permits		5,500.00	0.00	4,605.00	895.00	0.00	895.00	16.27
Solicitation Permits		1,000.00	0.00	120.00	880.00	0.00	880.00	88.00
Storage Building Permits		600.00	912.30	1,522.54	-922.54	0.00	-922.54	0.00
Subdivision Plat & Filing Fees		4,500.00	27.00	1,016.00	3,484.00	0.00	3,484.00	77.42
Swimming Pool Permits		400.00	0.00	0.00	400.00	0.00	400.00	100.00
Commercial Burning Permits		3,000.00	900.00	3,726.37	-726.37	0.00	-726.37	0.00
Alcohol Permits - Revenue		35,000.00	0.00	850.00	34,150.00	0.00	34,150.00	97.57
Annex & Rezoning		0.00	0.00	0.00	0.00	0.00	0.00	0.00
R20 Sub Totals:		522,120.00	33,251.31	137,341.71	384,778.29	65.00	384,713.29	73.68
Miscellaneous Revenue								
Miscellaneous Revenue		1,000.00	1,000.00	1,000.00	0.00	0.00	0.00	0.00

Account Number	Description	Budget Amount	Period Amount	YTD Amount	YTD Var	Encumbered Amount	Available	% Available
R64	R60 Sub Totals:	1,000.00	1,000.00	1,000.00	0.00		0.00	0.00
	Reimbursement							
001-0700-4560	Vacant Home Cleanup - Revenue	5,000.00	0.00	1,200.00	3,800.00	0.00	3,800.00	76.00
	R64 Sub Totals:	5,000.00	0.00	1,200.00	3,800.00	0.00	3,800.00	76.00
	Revenue Sub Totals:	566,120.00	40,980.53	161,951.59	404,168.41	65.00	404,103.41	71.38
E01	Personnel Expense							
001-0700-5000	Salary Expense	392,488.88	25,208.94	77,105.25	315,383.63	0.00	315,383.63	80.35
001-0700-5010	Overtime Expense	1,500.00	18.53	18.53	1,481.47	0.00	1,481.47	98.76
001-0700-5020	FICA Expense	30,394.75	1,889.74	5,776.06	24,618.69	0.00	24,618.69	81.00
001-0700-5022	Unemployment Expense	360.00	0.00	0.00	360.00	0.00	360.00	100.00
001-0700-5025	Worker's Comp Expense	6,000.00	0.00	5,399.97	600.03	0.00	600.03	10.00
001-0700-5030	APERS Expense	58,993.58	3,707.83	11,344.31	47,649.27	0.00	47,649.27	80.77
001-0700-5040	Health Insurance Expense	60,136.92	4,600.38	13,801.14	46,335.78	0.00	46,335.78	77.05
001-0700-5050	Physical & Drug Screen Exp	150.00	0.00	0.00	150.00	0.00	150.00	100.00
001-0700-5055	Uniform Expense	1,500.00	0.00	163.04	1,336.96	0.00	1,336.96	89.13
001-0700-5060	Travel & Training Expense	11,400.00	600.00	1,264.27	10,135.73	2,723.00	7,412.73	65.02
	E01 Sub Totals:	562,924.13	36,025.42	114,872.57	448,051.56	2,723.00	445,328.56	79.11
E10	Building & Grounds Exp							
001-0700-5110	Utilities - Electric	1,320.00	101.69	290.50	1,029.50	0.00	1,029.50	77.99
001-0700-5111	Utilities - Gas	240.00	67.10	170.32	69.68	0.00	69.68	29.03
001-0700-5112	Utilities - Water	150.00	11.87	36.85	113.15	0.00	113.15	75.43
001-0700-5115	Com Exp - Tel Landline.Interne	1,140.00	110.00	330.00	810.00	0.00	810.00	71.05
001-0700-5116	Communication Exp - Cellular	5,160.00	319.16	957.65	4,202.35	0.00	4,202.35	81.44
001-0700-5120	Insurance - Property	300.00	0.00	0.00	300.00	0.00	300.00	100.00
001-0700-5130	Sanitation	264.00	43.12	64.68	199.32	0.00	199.32	75.50
	E10 Sub Totals:	8,574.00	652.94	1,850.00	6,724.00	0.00	6,724.00	78.42
E20	Vehicle Expense							
001-0700-5200	Fuel Expense	8,500.00	512.97	1,904.61	6,595.39	0.00	6,595.39	77.59
001-0700-5210	Service & Repair - Vehicle	13,350.00	231.83	1,403.10	11,946.90	0.00	11,946.90	89.49
001-0700-5225	Insurance Expense - Vehicle	2,419.76	0.00	1,901.34	518.42	48.10	470.32	19.44
	E20 Sub Totals:	24,269.76	744.80	5,209.05	19,060.71	48.10	19,012.61	78.34
E30	Supply Expense							
001-0700-5300	Supplies - Office	2,000.00	225.36	351.57	1,648.43	103.66	1,544.77	77.24
001-0700-5350	Postage Expense	2,000.00	18.02	290.75	1,709.25	83.77	1,625.48	81.27
	E30 Sub Totals:	4,000.00	243.38	642.32	3,357.68	187.43	3,170.25	79.26



Account Number	Description	Budget Amount	Period Amount	YTD Amount	YTD Var	Encumbered Amount	Available	% Available
E:40	Operations Expense							
001-0700-5405	Act 474 Surcharge	10,000.00	1,075.88	2,234.88	7,765.12	2,997.00	4,768.12	47.68
001-0700-5475	Credit Card Fees	12,300.00	723.52	2,982.68	9,317.32	0.00	9,317.32	75.75
001-0700-5480	Dues & Subscriptions	20,000.00	250.00	19,260.00	740.00	0.00	740.00	3.70
	E:40 Sub Totals:	42,300.00	2,049.40	24,477.56	17,822.44	2,997.00	14,825.44	35.05
E:55	Professional Services							
001-0700-5553	Prof Services - Advertising	2,000.00	0.00	0.00	2,000.00	0.00	2,000.00	100.00
001-0700-5560	Vacant Home Cleanup	10,000.00	0.00	330.00	9,670.00	0.00	9,670.00	96.70
001-0700-5568	Prof Services - Eice Insp	17,000.00	1,890.00	4,110.00	12,890.00	11,662.00	1,228.00	7.22
001-0700-5571	Prof Services - Engineering	30,000.00	49.60	103.15	29,896.85	0.00	29,896.85	99.66
001-0700-5574	Prof Services - GIS	3,000.00	0.00	0.00	3,000.00	0.00	3,000.00	100.00
001-0700-5589	Prof Services - Printing	700.00	0.00	0.00	700.00	0.00	700.00	100.00
	E:55 Sub Totals:	62,700.00	1,939.60	4,543.15	58,156.85	11,662.00	46,494.85	74.15
E:60	Miscellaneous Expense							
001-0700-5600	Miscellaneous Expense	68,924.50	0.00	0.00	68,924.50	68,924.50	0.00	0.00
001-0700-5604	Hardware - New & Renewals	1,000.00	0.00	0.00	1,000.00	0.00	1,000.00	100.00
001-0700-5608	Software - New & Renewals	40,025.00	0.00	0.00	40,025.00	471.43	39,553.57	98.82
	E:60 Sub Totals:	109,949.50	0.00	0.00	109,949.50	69,395.93	40,553.57	36.88
E:80	Fixed Assets							
001-0700-5808	Fixed Assets - Vehicles	0.00	-1,124.35	2,303.92	-2,303.92	0.00	-2,303.92	0.00
	E:80 Sub Totals:	0.00	-1,124.35	2,303.92	-2,303.92	0.00	-2,303.92	0.00
E:85	Interest Expense							
001-0700-5850	Interest Expense	0.00	0.00	0.00	0.00	0.00	0.00	0.00
	E:85 Sub Totals:	0.00	0.00	0.00	0.00	0.00	0.00	0.00
	Expense Sub Totals:	814,717.59	40,531.19	153,898.57	660,818.82	87,013.46	573,805.36	70.43
	Dept 0700 Sub Totals:	248,597.59	-449.34	-8,053.02	256,650.41	87,078.46		
	Fund Revenue Sub Totals:	17,171,705.00	1,428,868.08	4,027,682.35	13,144,022.65	65.00	13,143,957.65	76.54
	Fund Expense Sub Totals:	18,798,748.79	1,319,114.41	4,196,014.19	14,602,734.60	1,242,138.94	13,360,595.66	71.07
	Fund 001 Sub Totals:	1,627,043.79	-109,753.67	168,331.84	1,458,711.95	1,242,203.94		
Fund 002	Sales Tax Fund							
Dept 002-0100	Administration							
R10	Taxes - Sales							

Account Number	Description	Budget Amount	Period Amount	YTD Amount	YTD Var	Encumbered Amount	Available	% Available
002-0100-4105	One Cent Sales Tax	5,938,336.00	450,452.56	1,532,198.23	4,406,137.77	0.00	4,406,137.77	74.20
	R10 Sub Totals:	5,938,336.00	450,452.56	1,532,198.23	4,406,137.77	0.00	4,406,137.77	74.20
R85	Interest Revenue							
002-0100-4850	Interest Revenue	250.00	25.99	74.26	175.74	0.00	175.74	70.30
	R85 Sub Totals:	250.00	25.99	74.26	175.74	0.00	175.74	70.30
	Revenue Sub Totals:	5,938,586.00	450,478.55	1,532,272.49	4,406,313.51	0.00	4,406,313.51	74.20
E62	Intergovernmental Tsfr							
002-0100-5620	Xfr to General	5,938,336.00	494,861.00	1,484,583.00	4,453,753.00	0.00	4,453,753.00	75.00
	E62 Sub Totals:	5,938,336.00	494,861.00	1,484,583.00	4,453,753.00	0.00	4,453,753.00	75.00
	Expense Sub Totals:	5,938,336.00	494,861.00	1,484,583.00	4,453,753.00	0.00	4,453,753.00	75.00
	Dept 0100 Sub Totals:	-250.00	44,382.45	-47,689.49	47,439.49	0.00		
	Fund Revenue Sub Totals:	5,938,586.00	450,478.55	1,532,272.49	4,406,313.51	0.00	4,406,313.51	74.20
	Fund Expense Sub Totals:	5,938,336.00	494,861.00	1,484,583.00	4,453,753.00	0.00	4,453,753.00	75.00
	Fund 002 Sub Totals:	-250.00	44,382.45	-47,689.49	47,439.49	0.00		
Fund 003	Franchise Fees Fund							
Dept 003-0100	Administration							
R50	Sale of Services							
003-0100-4502	AT&T / SW Bell Franchise Fee	150,000.00	4,528.33	16,478.66	133,521.34	0.00	133,521.34	89.01
003-0100-4506	Centerpoint Energy Franchise Fee	200,000.00	59,122.76	144,780.61	55,219.39	0.00	55,219.39	27.61
003-0100-4508	Fidelity Franchise Fee	15,000.00	0.00	17,932.47	-2,932.47	0.00	-2,932.47	0.00
003-0100-4510	Comcast Cable Franchise Fee	75,000.00	0.00	18,820.72	56,179.28	0.00	56,179.28	74.91
003-0100-4526	Entergy Franchise Fee	600,000.00	25,091.29	118,501.58	481,498.42	0.00	481,498.42	80.25
003-0100-4528	First Electric Franchise Fee	275,000.00	30,858.11	97,023.33	177,976.67	0.00	177,976.67	64.72
003-0100-4564	Windstream Franchise Fee	15,000.00	0.00	3,364.73	11,635.27	0.00	11,635.27	77.57
	R50 Sub Totals:	1,330,000.00	119,600.49	416,902.10	913,097.90	0.00	913,097.90	68.65
R85	Interest Revenue							
003-0100-4850	Interest Revenue	300.00	27.49	77.87	222.13	0.00	222.13	74.04
	R85 Sub Totals:	300.00	27.49	77.87	222.13	0.00	222.13	74.04
	Revenue Sub Totals:	1,330,300.00	119,627.98	416,979.97	913,320.03	0.00	913,320.03	68.66
E62	Intergovernmental Tsfr							

Account Number	Description	Budget Amount	Period Amount	YTD Amount	YTD Var	Encumbered Amount	Available	% Available
003-0100-5620	Xfer to General	175,000.00	14,583.33	43,749.99	131,250.01	0.00	131,250.01	75.00
	E62 Sub Totals:	175,000.00	14,583.33	43,749.99	131,250.01	0.00	131,250.01	75.00
	Expense Sub Totals:	175,000.00	14,583.33	43,749.99	131,250.01	0.00	131,250.01	75.00
	Dept 0100 Sub Totals:	-1,155,300.00	-105,044.65	-373,229.98	-782,070.02	0.00		
Dept 003-0800	Street							
E62	Intergovernmental Tsfr	649,000.20	53,787.00	161,107.00	487,893.20	0.00	487,893.20	75.18
003-0800-5622	Xfer to Fund 185	649,000.20	53,787.00	161,107.00	487,893.20	0.00	487,893.20	75.18
	E62 Sub Totals:	649,000.20	53,787.00	161,107.00	487,893.20	0.00	487,893.20	75.18
	Expense Sub Totals:	649,000.20	53,787.00	161,107.00	487,893.20	0.00	487,893.20	75.18
	Dept 0800 Sub Totals:	649,000.20	53,787.00	161,107.00	487,893.20	0.00	487,893.20	75.18
	Fund Revenue Sub Totals:	1,330,300.00	119,627.98	416,979.97	913,320.03	0.00	913,320.03	68.66
	Fund Expense Sub Totals:	824,000.20	68,370.33	204,856.99	619,143.21	0.00	619,143.21	75.14
	Fund 003 Sub Totals:	-506,299.80	-51,257.65	-212,122.98	-294,176.82	0.00		
Fund 005	Designated Tax Fund							
Dept 005-0100	Administration	700.00	18.49	52.49	647.51	0.00	647.51	92.50
R85	Interest Revenue							
005-0100-4850	Interest Revenue	700.00	18.49	52.49	647.51	0.00	647.51	92.50
	R85 Sub Totals:	700.00	18.49	52.49	647.51	0.00	647.51	92.50
	Revenue Sub Totals:	700.00	18.49	52.49	647.51	0.00	647.51	92.50
	Dept 0100 Sub Totals:	-700.00	-18.49	-52.49	-647.51	0.00		
Dept 005-0200	Animal Control							
R10	Taxes - Sales	593,834.00	45,045.23	153,219.81	440,614.19	0.00	440,614.19	74.20
005-0200-4100	Designated Tax - AC	593,834.00	45,045.23	153,219.81	440,614.19	0.00	440,614.19	74.20
	R10 Sub Totals:	593,834.00	45,045.23	153,219.81	440,614.19	0.00	440,614.19	74.20
	Revenue Sub Totals:	593,834.00	45,045.23	153,219.81	440,614.19	0.00	440,614.19	74.20
E62	Intergovernmental Tsfr							
005-0200-5620	Xfer to General - AC	593,834.00	49,486.00	148,458.00	445,376.00	0.00	445,376.00	75.00

Account Number	Description	Budget Amount	Period Amount	YTD Amount	YTD Var	Encumbered Amount	Available	% Available
E62 Sub Totals:		593,834.00	49,486.00	148,458.00	445,376.00	0.00	445,376.00	75.00
Expense Sub Totals:		593,834.00	49,486.00	148,458.00	445,376.00	0.00	445,376.00	75.00
Dept 0200 Sub Totals:		0.00	4,440.77	-4,761.81	4,761.81	0.00		
Parks								
Taxes - Sales								
Designated Tax - Park		593,834.00	45,045.23	153,219.81	440,614.19	0.00	440,614.19	74.20
R10 Sub Totals:		593,834.00	45,045.23	153,219.81	440,614.19	0.00	440,614.19	74.20
Revenue Sub Totals:		593,834.00	45,045.23	153,219.81	440,614.19	0.00	440,614.19	74.20
Intergovernmental Tsfr								
Xfer to General - Park		593,834.00	49,486.00	148,458.00	445,376.00	0.00	445,376.00	75.00
E62 Sub Totals:		593,834.00	49,486.00	148,458.00	445,376.00	0.00	445,376.00	75.00
Expense Sub Totals:		593,834.00	49,486.00	148,458.00	445,376.00	0.00	445,376.00	75.00
Dept 0400 Sub Totals:		0.00	4,440.77	-4,761.81	4,761.81	0.00		
Fire								
Taxes - Sales								
Designated Tax - Fire		1,484,584.00	112,613.14	383,049.56	1,101,534.44	0.00	1,101,534.44	74.20
R10 Sub Totals:		1,484,584.00	112,613.14	383,049.56	1,101,534.44	0.00	1,101,534.44	74.20
Revenue Sub Totals:		1,484,584.00	112,613.14	383,049.56	1,101,534.44	0.00	1,101,534.44	74.20
Intergovernmental Tsfr								
Xfer to General - Fire		1,484,584.00	123,715.00	371,145.00	1,113,439.00	0.00	1,113,439.00	75.00
E62 Sub Totals:		1,484,584.00	123,715.00	371,145.00	1,113,439.00	0.00	1,113,439.00	75.00
Expense Sub Totals:		1,484,584.00	123,715.00	371,145.00	1,113,439.00	0.00	1,113,439.00	75.00
Dept 0500 Sub Totals:		0.00	11,101.86	-11,904.56	11,904.56	0.00		
Police								
Taxes - Sales								
Designated Tax - Police		1,484,584.00	112,613.14	383,049.56	1,101,534.44	0.00	1,101,534.44	74.20
R10 Sub Totals:		1,484,584.00	112,613.14	383,049.56	1,101,534.44	0.00	1,101,534.44	74.20

Account Number	Description	Budget Amount	Period Amount	YTD Amount	YTD Var	Encumbered Amount	Available	% Available
E62 005-0600-5620	Revenue Sub Totals: Intergovernmental Tsfr Xfer to General - Police	1,484,584.00	112,613.14	383,049.56	1,101,534.44	0.00	1,101,534.44	74.20
	E62 Sub Totals:	1,484,584.00	123,715.00	371,145.00	1,113,439.00	0.00	1,113,439.00	75.00
	Expense Sub Totals:	1,484,584.00	123,715.00	371,145.00	1,113,439.00	0.00	1,113,439.00	75.00
Dept 0600 Sub Totals:	Dept 0600 Sub Totals:	0.00	11,101.86	-11,904.56	11,904.56	0.00	1,113,439.00	75.00
R10 005-0800-4100	Street Taxes - Sales Designated Tax - Street	1,781,501.00	135,135.82	459,659.49	1,321,841.51	0.00	1,321,841.51	74.20
	R10 Sub Totals:	1,781,501.00	135,135.82	459,659.49	1,321,841.51	0.00	1,321,841.51	74.20
E62 005-0800-5622	Revenue Sub Totals: Intergovernmental Tsfr Xfer to Street	1,781,501.00	148,458.00	445,374.00	1,336,127.00	0.00	1,336,127.00	75.00
	E62 Sub Totals:	1,781,501.00	148,458.00	445,374.00	1,336,127.00	0.00	1,336,127.00	75.00
	Expense Sub Totals:	1,781,501.00	148,458.00	445,374.00	1,336,127.00	0.00	1,336,127.00	75.00
	Dept 0800 Sub Totals:	0.00	13,322.18	-14,285.49	14,285.49	0.00	1,336,127.00	75.00
	Fund Revenue Sub Totals:	5,939,037.00	450,471.05	1,532,250.72	4,406,786.28	0.00	4,406,786.28	74.20
	Fund Expense Sub Totals:	5,938,337.00	494,860.00	1,484,580.00	4,453,757.00	0.00	4,453,757.00	75.00
Fund 007 Dept 007-0100 R70 007-0100-4700	Fund 005 Sub Totals: Investment Account Grant Revenue Grant Revenue	-700.00	44,388.95	-47,670.72	46,970.72	0.00	0.00	0.00
	R70 Sub Totals:	0.00	0.00	0.00	0.00	0.00	0.00	0.00
R85 007-0100-4850	Interest Revenue Interest Revenue	0.00	0.03	-15,959.05	15,959.05	0.00	15,959.05	0.00
	R85 Sub Totals:	0.00	0.03	-15,959.05	15,959.05	0.00	15,959.05	0.00

Account Number	Description	Budget Amount	Period Amount	YTD Amount	YTD Var	Encumbered Amount	Available	% Available
E62 007-0100-5626	Revenue Sub Totals: Intergovernmental Tsfr Xfer to Other	0.00	0.03	-15,959.05	15,959.05	0.00	15,959.05	0.00
E62 Sub Totals:		500,000.00	0.00	0.00	500,000.00	0.00	500,000.00	100.00
E85 007-0100-5855	Interest Expense Loss	500,000.00	0.00	0.00	500,000.00	0.00	500,000.00	100.00
E85 Sub Totals:		0.00	20,016.50	20,016.50	-20,016.50	0.00	-20,016.50	0.00
Expense Sub Totals:		0.00	20,016.50	20,016.50	-20,016.50	0.00	-20,016.50	0.00
Dept 0100 Sub Totals:		500,000.00	20,016.50	20,016.50	479,983.50	0.00	479,983.50	96.00
Fund Revenue Sub Totals:		500,000.00	20,016.47	35,975.55	464,024.45	0.00		
Fund Expense Sub Totals:		0.00	0.03	-15,959.05	15,959.05	0.00	15,959.05	0.00
Fund 007 Sub Totals:		500,000.00	20,016.50	20,016.50	479,983.50	0.00	479,983.50	96.00
Fund 010 Dept 010-0000 E01 010-0000-5058	Fund 007 Sub Totals: Electronic Tax Personnel Expense Taxable Clothing Expense	500,000.00	20,016.47	35,975.55	464,024.45	0.00		
E01 Sub Totals:		0.00	0.00	0.00	0.00	0.00	0.00	0.00
Expense Sub Totals:		0.00	0.00	0.00	0.00	0.00	0.00	0.00
Dept 0000 Sub Totals:		0.00	0.00	0.00	0.00	0.00		
Fund Revenue Sub Totals:		0.00	0.00	0.00	0.00	0.00	0.00	0.00
Fund Expense Sub Totals:		0.00	0.00	0.00	0.00	0.00	0.00	0.00
Fund 020 Dept 020-0200 R68 020-0200-4680 020-0200-4682	Fund 010 Sub Totals: Animal Control Donation Animal Control Donation Revenue Donation Revenue Ord 2011-24 Donation Dog Park -Ord 2011-24	0.00	0.00	0.00	0.00	0.00		
Fund 020 Sub Totals:		2,500.00	0.00	2,847.37	-347.37	0.00	-347.37	0.00
Dept 020-0200 Sub Totals:		0.00	0.00	0.00	0.00	0.00	0.00	0.00

Account Number	Description	Budget Amount	Period Amount	YTD Amount	YTD Var	Encumbered Amount	Available	% Available
R68	R68 Sub Totals:	2,500.00	0.00	2,847.37	-347.37	0.00	-347.37	0.00
	Interest Revenue							
020-0200-4850	Interest Revenue	5.00	0.49	1.39	3.61	0.00	3.61	72.20
R85	R85 Sub Totals:	5.00	0.49	1.39	3.61	0.00	3.61	72.20
	Revenue Sub Totals:	2,505.00	0.49	2,848.76	-343.76	0.00	-343.76	0.00
E68	Donation Expense							
020-0200-5580	AC Donation Expense	5,000.00	0.00	0.00	5,000.00	0.00	5,000.00	100.00
E68	E68 Sub Totals:	5,000.00	0.00	0.00	5,000.00	0.00	5,000.00	100.00
	Expense Sub Totals:	5,000.00	0.00	0.00	5,000.00	0.00	5,000.00	100.00
Dept 0200	Dept 0200 Sub Totals:	2,495.00	-0.49	-2,848.76	5,343.76	0.00		
Fund Revenue	Fund Revenue Sub Totals:	2,505.00	0.49	2,848.76	-343.76	0.00	-343.76	0.00
Fund Expense	Fund Expense Sub Totals:	5,000.00	0.00	0.00	5,000.00	0.00	5,000.00	100.00
Fund 020	Fund 020 Sub Totals:	2,495.00	-0.49	-2,848.76	5,343.76	0.00		
Act 1256	Act 1256 of 1995 Court							
Court								
Fines & Forfeitures								
030-0300-4404	Act 1256 Civil Division	71,250.00	770.00	2,560.00	68,690.00	0.00	68,690.00	96.41
030-0300-4406	Act 1256 District Court Rev	330,000.00	18,026.40	72,554.42	257,445.58	0.00	257,445.58	78.01
R40	R40 Sub Totals:	401,250.00	18,796.40	75,114.42	326,135.58	0.00	326,135.58	81.28
Revenue	Revenue Sub Totals:	401,250.00	18,796.40	75,114.42	326,135.58	0.00	326,135.58	81.28
Personnel Expense								
030-0300-5072	Act 1256 Judge Retirement	5,200.00	394.84	1,184.52	4,015.48	0.00	4,015.48	77.22
E01	E01 Sub Totals:	5,200.00	394.84	1,184.52	4,015.48	0.00	4,015.48	77.22
Operations Expense								
030-0300-5400	Act 316 of 1991 Expense	250.00	18.12	54.36	195.64	0.00	195.64	78.26
030-0300-5415	Act 918 of 1983 Expense	17,500.00	1,342.64	4,027.92	13,472.08	0.00	13,472.08	76.98
030-0300-5425	Act 1256 Co Admin of Justice	140,500.00	10,741.60	32,224.80	108,275.20	0.00	108,275.20	77.06
030-0300-5430	Act 1256 Court Costs	15,250.00	1,181.04	3,543.12	11,706.88	0.00	11,706.88	76.77
030-0300-5435	Act 1256 City Attorney	28,500.00	2,190.68	6,572.04	21,927.96	0.00	21,927.96	76.94
030-0300-5440	Act 1256 DFA (State)	167,250.00	893.74	21,406.44	145,843.56	0.00	145,843.56	87.20

Account Number	Description	Budget Amount	Period Amount	YTD Amount	YTD Var	Encumbered Amount	Available	% Available
030-0300-5445	Act 1256 Ordinance 89-15	26,000.00	1,966.60	5,899.80	20,100.20	0.00	20,100.20	77.31
030-0300-5495	Act 1256 Intoximeter Expense	900.00	67.14	201.42	698.58	0.00	698.58	77.62
	E40 Sub Totals:	396,150.00	18,401.56	73,929.90	322,220.10	0.00	322,220.10	81.34
	Expense Sub Totals:	401,350.00	18,796.40	75,114.42	326,235.58	0.00	326,235.58	81.28
	Dept 0300 Sub Totals:	100.00	0.00	0.00	100.00	0.00		
	Fund Revenue Sub Totals:	401,250.00	18,796.40	75,114.42	326,135.58	0.00	326,135.58	81.28
	Fund Expense Sub Totals:	401,350.00	18,796.40	75,114.42	326,235.58	0.00	326,235.58	81.28
Fund 031	Fund 030 Sub Totals:	100.00	0.00	0.00	100.00	0.00		
Dept 031-0300	Act 1809 of 2001 Court Auto							
R40	Court							
031-0300-4408	Fines & Forfeitures							
	Act 1809 of 2001 Revenue	29,426.00	3,115.00	7,194.50	22,231.50	0.00	22,231.50	75.55
	R40 Sub Totals:	29,426.00	3,115.00	7,194.50	22,231.50	0.00	22,231.50	75.55
R85	Interest Revenue							
031-0300-4850	Interest Revenue	20.00	0.55	1.59	18.41	0.00	18.41	92.05
	R85 Sub Totals:	20.00	0.55	1.59	18.41	0.00	18.41	92.05
	Revenue Sub Totals:	29,446.00	3,115.55	7,196.09	22,249.91	0.00	22,249.91	75.56
E60	Miscellaneous Expense							
031-0300-5608	Software - New & Renewals	40,000.00	3,938.88	6,002.76	33,997.24	18,574.92	15,422.32	38.56
	E60 Sub Totals:	40,000.00	3,938.88	6,002.76	33,997.24	18,574.92	15,422.32	38.56
	Expense Sub Totals:	40,000.00	3,938.88	6,002.76	33,997.24	18,574.92	15,422.32	38.56
	Dept 0300 Sub Totals:	10,554.00	823.33	-1,193.33	11,747.33	18,574.92		
	Fund Revenue Sub Totals:	29,446.00	3,115.55	7,196.09	22,249.91	0.00	22,249.91	75.56
	Fund Expense Sub Totals:	40,000.00	3,938.88	6,002.76	33,997.24	18,574.92	15,422.32	38.56
Fund 045	Fund 031 Sub Totals:	10,554.00	823.33	-1,193.33	11,747.33	18,574.92		
	Park 1/8 SalesTax O & M							



Account Number	Description	Budget Amount	Period Amount	YTD Amount	YTD Var	Encumbered Amount	Available	% Available
Dept 045-0400	Parks							
R10	Taxes - Sales							
045-0400-4110	Park 1/8 Sales Tax	742,292.00	56,306.57	191,524.78	550,767.22	0.00	550,767.22	74.20
	R10 Sub Totals:	742,292.00	56,306.57	191,524.78	550,767.22	0.00	550,767.22	74.20
R85	Interest Revenue	30.00	2.68	7.63	22.37	0.00	22.37	74.57
045-0400-4850	Interest Revenue	30.00	2.68	7.63	22.37	0.00	22.37	74.57
	R85 Sub Totals:	30.00	2.68	7.63	22.37	0.00	22.37	74.57
	Revenue Sub Totals:	742,322.00	56,309.25	191,532.41	550,789.59	0.00	550,789.59	74.20
E62	Intergovernmental Tsfr							
045-0400-5620	Xfer to General	742,292.00	61,858.00	185,574.00	556,718.00	0.00	556,718.00	75.00
	E62 Sub Totals:	742,292.00	61,858.00	185,574.00	556,718.00	0.00	556,718.00	75.00
	Expense Sub Totals:	742,292.00	61,858.00	185,574.00	556,718.00	0.00	556,718.00	75.00
	Dept 0400 Sub Totals:	-30.00	5,548.75	-5,958.41	5,928.41	0.00		
	Fund Revenue Sub Totals:	742,322.00	56,309.25	191,532.41	550,789.59	0.00	550,789.59	74.20
	Fund Expense Sub Totals:	742,292.00	61,858.00	185,574.00	556,718.00	0.00	556,718.00	75.00
	Fund 045 Sub Totals:	-30.00	5,548.75	-5,958.41	5,928.41	0.00		
Fund 051	Act 833 of 1991 Fire							
Dept 051-0500	Fire							
R15	Taxes - Property							
051-0500-4150	State Turnback	20,000.00	0.00	0.00	20,000.00	0.00	20,000.00	100.00
	R15 Sub Totals:	20,000.00	0.00	0.00	20,000.00	0.00	20,000.00	100.00
R85	Interest Revenue	15.00	0.71	2.08	12.92	0.00	12.92	86.13
051-0500-4850	Interest Revenue	15.00	0.71	2.08	12.92	0.00	12.92	86.13
	R85 Sub Totals:	15.00	0.71	2.08	12.92	0.00	12.92	86.13
	Revenue Sub Totals:	20,015.00	0.71	2.08	20,012.92	0.00	20,012.92	99.99
E40	Operations Expense							
051-0500-5410	Act 833 Expense	63,620.00	1,636.82	2,035.08	61,584.92	12,350.65	49,234.27	77.39
	E40 Sub Totals:	63,620.00	1,636.82	2,035.08	61,584.92	12,350.65	49,234.27	77.39

Account Number	Description	Budget Amount	Period Amount	YTD Amount	YTD Var	Encumbered Amount	Available	% Available
	Expense Sub Totals:	63,620.00	1,636.82	2,035.08	61,584.92	12,350.65	49,234.27	77.39
	Dept 0500 Sub Totals:	43,605.00	1,636.11	2,033.00	41,572.00	12,350.65		
	Fund Revenue Sub Totals:	20,015.00	0.71	2.08	20,012.92	0.00	20,012.92	99.99
	Fund Expense Sub Totals:	63,620.00	1,636.82	2,035.08	61,584.92	12,350.65	49,234.27	77.39
Fund 055	Fund 051 Sub Totals:	43,605.00	1,636.11	2,033.00	41,572.00	12,350.65		
Dept 055-0500	Fire 3/8 SalesTax							
R10	Fire							
055-0500-4120	Taxes - Sales							
	Fire 3/8 Sales Tax	2,226,876.00	168,919.71	574,574.34	1,652,301.66	0.00	1,652,301.66	74.20
	R10 Sub Totals:	2,226,876.00	168,919.71	574,574.34	1,652,301.66	0.00	1,652,301.66	74.20
R85	Interest Revenue							
055-0500-4850	Interest Revenue	100.00	5.62	15.87	84.13	0.00	84.13	84.13
	R85 Sub Totals:	100.00	5.62	15.87	84.13	0.00	84.13	84.13
E62	Revenue Sub Totals:	2,226,976.00	168,925.33	574,590.21	1,652,385.79	0.00	1,652,385.79	74.20
055-0500-5620	Intergovernmental Tsfr							
	Xfer to General	2,226,876.00	185,573.00	556,719.00	1,670,157.00	0.00	1,670,157.00	75.00
	E62 Sub Totals:	2,226,876.00	185,573.00	556,719.00	1,670,157.00	0.00	1,670,157.00	75.00
	Expense Sub Totals:	2,226,876.00	185,573.00	556,719.00	1,670,157.00	0.00	1,670,157.00	75.00
	Dept 0500 Sub Totals:	-100.00	16,647.67	-17,871.21	17,771.21	0.00		
	Fund Revenue Sub Totals:	2,226,976.00	168,925.33	574,590.21	1,652,385.79	0.00	1,652,385.79	74.20
	Fund Expense Sub Totals:	2,226,876.00	185,573.00	556,719.00	1,670,157.00	0.00	1,670,157.00	75.00
Fund 061	Fund 055 Sub Totals:	-100.00	16,647.67	-17,871.21	17,771.21	0.00		
Dept 061-0600	Act 918 of 1983 Police							
R40	Police							
061-0600-4410	Fines & Forfeitures	15,000.00	1,342.64	4,027.92	10,972.08	0.00	10,972.08	73.15
	Admin of Justice Revenue							
	R40 Sub Totals:	15,000.00	1,342.64	4,027.92	10,972.08	0.00	10,972.08	73.15

Account Number	Description	Budget Amount	Period Amount	YTD Amount	YTD Var	Encumbered Amount	Available	% Available
R85 061-0600-4850	Interest Revenue	10.00	0.39	1.10	8.90	0.00	8.90	89.00
	Interest Revenue							
	R85 Sub Totals:	10.00	0.39	1.10	8.90	0.00	8.90	89.00
	Revenue Sub Totals:	15,010.00	1,343.03	4,029.02	10,980.98	0.00	10,980.98	73.16
E60 061-0600-5600	Miscellaneous Expense	15,010.00	0.00	0.00	15,010.00	0.00	15,010.00	100.00
	Miscellaneous Expense							
	E60 Sub Totals:	15,010.00	0.00	0.00	15,010.00	0.00	15,010.00	100.00
	Expense Sub Totals:							
	Dept 0600 Sub Totals:	0.00	-1,343.03	-4,029.02	4,029.02	0.00		
	Fund Revenue Sub Totals:	15,010.00	1,343.03	4,029.02	10,980.98	0.00	10,980.98	73.16
	Fund Expense Sub Totals:	15,010.00	0.00	0.00	15,010.00	0.00	15,010.00	100.00
	Fund 061 Sub Totals:	0.00	-1,343.03	-4,029.02	4,029.02	0.00		
Fund 062 Dept 062-0600 R40 062-0600-4402	Act 988 of 1991 Emerg Veh Police Fines & Forfeitures Act 988 of 1991 Revenue	12,000.00	450.00	1,472.50	10,527.50	0.00	10,527.50	87.73
	R40 Sub Totals:	12,000.00	450.00	1,472.50	10,527.50	0.00	10,527.50	87.73
R85 062-0600-4850	Interest Revenue	10.00	0.34	0.97	9.03	0.00	9.03	90.30
	Interest Revenue							
	R85 Sub Totals:	10.00	0.34	0.97	9.03	0.00	9.03	90.30
	Revenue Sub Totals:	12,010.00	450.34	1,473.47	10,536.53	0.00	10,536.53	87.73
E40 062-0600-5420	Operations Expense	12,000.00	0.00	0.00	12,000.00	0.00	12,000.00	100.00
	Act 988 Expense							
	E40 Sub Totals:	12,000.00	0.00	0.00	12,000.00	0.00	12,000.00	100.00
	Expense Sub Totals:	12,000.00	0.00	0.00	12,000.00	0.00	12,000.00	100.00
	Dept 0600 Sub Totals:	-10.00	-450.34	-1,473.47	1,463.47	0.00		

Account Number	Description	Budget Amount	Period Amount	YTD Amount	YTD Var	Encumbered Amount	Available	% Available
	Fund Revenue Sub Totals:	12,010.00	450.34	1,473.47	10,536.53	0.00	10,536.53	87.73
	Fund Expense Sub Totals:	12,000.00	0.00	0.00	12,000.00	0.00	12,000.00	100.00
Fund 066	Fund 062 Sub Totals:	-10.00	-450.34	-1,473.47	1,463.47	0.00		
Dept 066-0600	Federal Drug Control							
R40	Police							
066-0600-4418	Fines & Forfeitures							
	Drug Seizure Revenue	0.00	0.00	0.00	0.00	0.00	0.00	0.00
	R40 Sub Totals:	0.00	0.00	0.00	0.00	0.00	0.00	0.00
R85	Interest Revenue							
066-0600-4850	Interest Revenue	0.00	0.25	0.72	-0.72	0.00	-0.72	0.00
	R85 Sub Totals:	0.00	0.25	0.72	-0.72	0.00	-0.72	0.00
	Revenue Sub Totals:	0.00	0.25	0.72	-0.72	0.00	-0.72	0.00
E60	Miscellaneous Expense							
066-0600-5600	Miscellaneous Expense	0.00	0.00	0.00	0.00	0.00	0.00	0.00
	E60 Sub Totals:	0.00	0.00	0.00	0.00	0.00	0.00	0.00
	Expense Sub Totals:	0.00	0.00	0.00	0.00	0.00	0.00	0.00
	Dept 0600 Sub Totals:	0.00	-0.25	-0.72	0.72	0.00		
	Fund Revenue Sub Totals:	0.00	0.25	0.72	-0.72	0.00	-0.72	0.00
	Fund Expense Sub Totals:	0.00	0.00	0.00	0.00	0.00	0.00	0.00
	Fund 066 Sub Totals:	0.00	-0.25	-0.72	0.72	0.00		
Fund 068	State Drug Control							
Dept 068-0600	Police							
R40	Fines & Forfeitures							
068-0600-4418	Drug Seizure Revenue	2,500.00	0.00	0.00	2,500.00	0.00	2,500.00	100.00
	R40 Sub Totals:	2,500.00	0.00	0.00	2,500.00	0.00	2,500.00	100.00
R85	Interest Revenue							
068-0600-4850	Interest Revenue	5.00	0.20	0.58	4.42	0.00	4.42	88.40

Account Number	Description	Budget Amount	Period Amount	YTD Amount	YTD Var	Encumbered Amount	Available	% Available
	R85 Sub Totals:	5.00	0.20	0.58	4.42	0.00	4.42	88.40
	Revenue Sub Totals:	2,505.00	0.20	0.58	2,504.42	0.00	2,504.42	99.98
E60 068-0600-5600	Miscellaneous Expense	2,505.00	0.00	0.00	2,505.00	0.00	2,505.00	100.00
	Miscellaneous Expense	2,505.00	0.00	0.00	2,505.00	0.00	2,505.00	100.00
	E60 Sub Totals:	2,505.00	0.00	0.00	2,505.00	0.00	2,505.00	100.00
	Expense Sub Totals:	2,505.00	0.00	0.00	2,505.00	0.00	2,505.00	100.00
	Dept 0600 Sub Totals:	0.00	-0.20	-0.58	0.58	0.00	0.00	
	Fund Revenue Sub Totals:	2,505.00	0.20	0.58	2,504.42	0.00	2,504.42	99.98
	Fund Expense Sub Totals:	2,505.00	0.00	0.00	2,505.00	0.00	2,505.00	100.00
	Fund 068 Sub Totals:	0.00	-0.20	-0.58	0.58	0.00	0.00	
Fund 080 Dept 080-0000 E80 080-0000-5824	Street Fund							
	Fixed Assets	0.00	0.00	0.00	0.00	0.00	0.00	0.00
	Depreciation Expense	0.00	0.00	0.00	0.00	0.00	0.00	0.00
	E80 Sub Totals:	0.00	0.00	0.00	0.00	0.00	0.00	0.00
	Expense Sub Totals:	0.00	0.00	0.00	0.00	0.00	0.00	0.00
	Dept 0000 Sub Totals:	0.00	0.00	0.00	0.00	0.00	0.00	
Dept 080-0140 E01	Stormwater							
	Personnel Expense	180,023.97	14,689.95	45,443.03	134,580.94	0.00	134,580.94	74.76
	Salary Expense	635.00	393.77	393.77	241.23	0.00	241.23	37.99
	Overtime Expense	13,820.42	1,132.70	3,442.91	10,377.51	0.00	10,377.51	75.09
	FICA Expense	180.00	0.00	7.66	172.34	0.00	172.34	95.74
	Unemployment Expense	500.00	0.00	452.55	47.45	0.00	47.45	9.49
	Worker's Comp Expense	27,676.95	2,306.49	7,017.84	20,659.11	0.00	20,659.11	74.64
	APERS Expense	26,180.40	2,395.13	7,586.86	18,593.54	0.00	18,593.54	71.02
	Health Insurance Expense	300.00	0.00	0.00	300.00	0.00	300.00	100.00
	Physical & Drug Screen Exp	4,525.00	0.00	0.00	4,525.00	0.00	4,525.00	100.00
	Uniform Expense	6,525.00	1,552.56	4,381.56	2,143.44	0.00	2,143.44	32.85
	Travel & Training Expense							
	E01 Sub Totals:	260,366.74	22,470.60	68,726.18	191,640.56	0.00	191,640.56	73.60

Account Number	Description	Budget Amount	Period Amount	YTD Amount	YTD Var	Encumbered Amount	Available	% Available
E10	Building & Grounds Exp							
080-0140-5115	Com Exp - Tel Landline:Interne	0.00	0.00	0.00	0.00	0.00	0.00	0.00
080-0140-5116	Communication Exp - Cellular	3,024.00	251.90	755.82	2,268.18	0.00	2,268.18	75.01
	E10 Sub Totals:	3,024.00	251.90	755.82	2,268.18	0.00	2,268.18	75.01
E20	Vehicle Expense							
080-0140-5200	Fuel Expense	7,200.00	276.60	884.92	6,315.08	0.00	6,315.08	87.71
080-0140-5210	Service & Repair - Vehicle	10,000.00	79.95	276.20	9,723.80	0.00	9,723.80	97.24
080-0140-5218	Tire Expense	3,000.00	1,193.75	1,193.75	1,806.25	0.00	1,806.25	60.21
080-0140-5225	Insurance Expense - Vehicle	1,000.00	0.00	956.74	43.26	0.00	43.26	4.33
	E20 Sub Totals:	21,200.00	1,550.30	3,311.61	17,888.39	0.00	17,888.39	84.38
E30	Supply Expense							
080-0140-5300	Supplies - Office	15,840.00	0.00	508.73	15,331.27	3,672.21	11,659.06	73.61
080-0140-5322	Supplies - Operating	5,000.00	0.00	0.00	5,000.00	0.00	5,000.00	100.00
080-0140-5380	Prisoner Care Expense	2,700.00	0.00	0.00	2,700.00	0.00	2,700.00	100.00
	E30 Sub Totals:	23,540.00	0.00	508.73	23,031.27	3,672.21	19,359.06	82.24
E40	Operations Expense							
080-0140-5515	Elections or Permit Fee Exp	1,200.00	0.00	0.00	1,200.00	0.00	1,200.00	100.00
080-0140-5520	Public Education Expense	5,000.00	2,613.25	2,613.25	2,386.75	494.00	1,892.75	37.86
	E40 Sub Totals:	6,200.00	2,613.25	2,613.25	3,586.75	494.00	3,092.75	49.88
E55	Professional Services							
080-0140-5571	Prof Services - Engineering	129,910.00	0.00	0.00	129,910.00	105,410.00	24,500.00	18.86
080-0140-5574	Prof Services - GIS	1,000.00	0.00	0.00	1,000.00	0.00	1,000.00	100.00
080-0140-5589	Prof Services - Printing	250.00	0.00	0.00	250.00	0.00	250.00	100.00
	E55 Sub Totals:	131,160.00	0.00	0.00	131,160.00	105,410.00	25,750.00	19.63
E80	Fixed Assets							
080-0140-5808	Fixed Assets - Vehicles	0.00	0.00	0.00	0.00	0.00	0.00	0.00
080-0140-5816	Fixed Assets Infrastructure	0.00	0.00	0.00	0.00	0.00	0.00	0.00
	E80 Sub Totals:	0.00	0.00	0.00	0.00	0.00	0.00	0.00
	Expense Sub Totals:	445,490.74	26,886.05	75,915.59	369,575.15	109,576.21	259,998.94	58.36
	Dept 0140 Sub Totals:	445,490.74	26,886.05	75,915.59	369,575.15	109,576.21	259,998.94	58.36
Dept 080-0800	Street							
R10	Taxes - Sales							
080-0800-4152	1/2 Cent Sales Tax Expires 7/2023	456,000.00	40,814.54	137,760.86	318,239.14	0.00	318,239.14	69.79

Account Number	Description	Budget Amount	Period Amount	YTD Amount	YTD Var	Encumbered Amount	Available	% Available
R10 Sub Totals:		456,000.00	40,814.54	137,760.86	318,239.14	0.00	318,239.14	69.79
R15	Taxes - Property							
080-0800-4150	State Turnback	924,000.00	82,870.74	284,249.52	639,750.48	0.00	639,750.48	69.24
080-0800-4151	Saline County Treasurer	444,000.00	12,671.59	58,594.41	385,405.59	0.00	385,405.59	86.80
R15 Sub Totals:		1,368,000.00	95,542.33	342,843.93	1,025,156.07	0.00	1,025,156.07	74.94
R60	Miscellaneous Revenue							
080-0800-4600	Miscellaneous Revenue	9,867.05	-1,129.38	8,007.67	1,859.38	0.00	1,859.38	18.84
R60 Sub Totals:		9,867.05	-1,129.38	8,007.67	1,859.38	0.00	1,859.38	18.84
R62	Intergovernmental Tsfrs							
080-0800-4627	Xfer Designated Tax - Street	1,781,501.00	148,458.00	445,374.00	1,336,127.00	0.00	1,336,127.00	75.00
R62 Sub Totals:		1,781,501.00	148,458.00	445,374.00	1,336,127.00	0.00	1,336,127.00	75.00
R64	Reimbursement							
080-0800-4640	Reimbursement Revenue	725,000.00	0.00	73,130.79	651,869.21	0.00	651,869.21	89.91
R64 Sub Totals:		725,000.00	0.00	73,130.79	651,869.21	0.00	651,869.21	89.91
R85	Interest Revenue							
080-0800-4850	Interest Revenue	775.00	0.00	0.00	775.00	0.00	775.00	100.00
R85 Sub Totals:		775.00	0.00	0.00	775.00	0.00	775.00	100.00
Revenue Sub Totals:		4,341,143.05	283,685.49	1,007,117.25	3,334,025.80	0.00	3,334,025.80	76.80
E01	Personnel Expense							
080-0800-5000	Salary Expense	649,751.90	34,656.91	106,999.32	542,752.58	0.00	542,752.58	83.53
080-0800-5005	SWB Reimbursement	169,571.00	14,130.92	42,392.76	127,178.24	0.00	127,178.24	75.00
080-0800-5010	Overtime Expense	7,200.00	580.67	2,043.69	5,156.31	0.00	5,156.31	71.62
080-0800-5020	FICA Expense	50,043.24	2,637.97	8,144.91	41,898.33	0.00	41,898.33	83.72
080-0800-5022	Unemployment Expense	1,140.00	0.00	0.00	1,140.00	0.00	1,140.00	100.00
080-0800-5025	Worker's Comp Expense	18,000.00	0.00	16,843.00	1,157.00	0.00	1,157.00	6.43
080-0800-5030	APERS Expense	100,217.30	5,394.07	16,701.04	83,516.26	0.00	83,516.26	83.34
080-0800-5040	Health Insurance Expense	123,057.24	7,429.75	23,515.41	99,541.83	0.00	99,541.83	80.89
080-0800-5050	Physical & Drug Screen Exp	1,800.00	0.00	0.00	1,800.00	62.50	1,737.50	96.53
080-0800-5055	Uniform Expense	14,287.08	688.91	4,453.63	9,833.45	535.97	9,297.48	65.08
080-0800-5060	Travel & Training Expense	10,000.00	1,158.80	3,298.30	6,701.70	0.00	6,701.70	67.02
E01 Sub Totals:		1,145,067.76	66,678.00	224,392.06	920,675.70	598.47	920,077.23	80.35
E10	Building & Grounds Exp							
080-0800-5102	Repairs & Maint - Building	35,000.00	2,920.01	9,187.96	25,812.04	750.28	25,061.76	71.61
080-0800-5110	Utilities - Electric	20,000.00	2,097.88	6,637.17	13,362.83	0.00	13,362.83	66.81

Account Number	Description	Budget Amount	Period Amount	YTD Amount	YTD Var	Encumbered Amount	Available	% Available
080-0800-5111	Utilities - Gas	2,499.96	440.70	1,348.09	1,151.87	0.00	1,151.87	46.08
080-0800-5112	Utilities - Water	5,000.00	41.84	123.88	4,876.12	0.00	4,876.12	97.52
080-0800-5115	Com Exp - Tel Landline-Interne	14,640.00	1,247.59	3,625.55	11,014.45	0.00	11,014.45	75.24
080-0800-5116	Communication Exp - Cellular	4,500.00	370.59	1,207.72	3,292.28	65.97	3,226.31	71.70
080-0800-5120	Insurance - Property	1,965.00	0.00	0.00	1,965.00	51.18	1,913.82	97.40
080-0800-5130	Sanitation	3,500.00	113.55	984.50	2,515.50	113.55	2,401.95	68.63
080-0800-5140	Supplies - B&G	3,600.00	164.71	206.50	3,393.50	0.00	3,393.50	94.26
080-0800-5142	Janitorial Supplies and Main	2,000.00	0.00	557.01	1,442.99	33.88	1,409.11	70.46
080-0800-5145	Tools	12,000.00	2,296.12	3,106.32	8,893.68	0.00	8,893.68	74.11
E10 Sub Totals:		104,704.96	9,692.99	26,984.70	77,720.26	1,014.86	76,705.40	73.26
E20	Vehicle Expense							
080-0800-5200	Fuel Expense	70,000.00	7,553.79	16,295.40	53,704.60	0.00	53,704.60	76.72
080-0800-5210	Service & Repair - Vehicle	72,000.00	6,034.15	12,524.39	59,475.61	8,413.36	51,062.25	70.92
080-0800-5218	Tire Expense	15,000.00	527.57	2,993.18	12,006.82	0.00	12,006.82	80.05
080-0800-5225	Insurance Expense - Vehicle	20,055.07	0.00	17,263.48	2,791.59	846.07	1,945.52	9.70
080-0800-5230	Radios	1,500.00	0.00	0.00	1,500.00	0.00	1,500.00	100.00
080-0800-5240	Equipment Rental	60,000.00	0.00	0.00	60,000.00	0.00	60,000.00	100.00
E20 Sub Totals:		238,555.07	14,115.51	49,076.45	189,478.62	9,259.43	180,219.19	75.55
E30	Supply Expense							
080-0800-5300	Supplies - Office	6,000.00	159.24	891.09	5,108.91	0.00	5,108.91	85.15
080-0800-5316	Supplies - Signs	40,000.08	269.45	1,061.38	38,938.70	12,586.22	26,352.48	65.88
080-0800-5322	Supplies - Operating	242,448.00	32,676.16	54,943.06	187,504.94	997.22	186,507.72	76.93
080-0800-5323	Material and Maint	100,000.08	9,426.06	19,397.21	80,602.87	1,750.48	78,852.39	78.85
080-0800-5350	Postage Expense	504.00	20.67	163.02	340.98	83.78	257.20	51.03
E30 Sub Totals:		388,952.16	42,551.58	76,455.76	312,496.40	15,417.70	297,078.70	76.38
E40	Operations Expense							
080-0800-5480	Dues & Subscriptions	3,100.00	0.00	173.47	2,926.53	0.00	2,926.53	94.40
080-0800-5530	Safety Program	3,000.00	0.00	0.00	3,000.00	0.00	3,000.00	100.00
080-0800-5535	Sales Tax Expense	500.00	3,416.62	4,317.67	-3,817.67	0.00	-3,817.67	0.00
080-0800-5545	Street Paving Expense	350,004.00	0.00	0.00	350,004.00	0.00	350,004.00	100.00
080-0800-5546	Street Lights Installed	227,693.38	19,350.97	124,786.38	102,907.00	0.00	102,907.00	45.20
080-0800-5547	Traffic Signal Maintenance	16,008.00	88.63	88.63	15,919.37	0.00	15,919.37	99.45
E40 Sub Totals:		600,305.38	22,856.22	129,366.15	470,939.23	0.00	470,939.23	78.45
E55	Professional Services							
080-0800-5550	Prof Services - Acctg & Audit	13,750.00	0.00	0.00	13,750.00	0.00	13,750.00	100.00
080-0800-5553	Prof Services - Advertising	3,500.04	1,039.04	1,039.04	2,461.00	0.00	2,461.00	70.31
080-0800-5562	Prof Services - Bridge Inspection	750.00	0.00	0.00	750.00	0.00	750.00	100.00
080-0800-5571	Prof Services - Engineering	123,880.00	0.00	2,625.00	121,255.00	96,755.00	24,500.00	19.78



Account Number	Description	Budget Amount	Period Amount	YTD Amount	YTD Var	Encumbered Amount	Available	% Available
080-0800-5574	Prof Services - GIS	2,000.00	0.00	0.00	2,000.00	0.00	2,000.00	100.00
080-0800-5586	Prof Services - Other	219,976.98	5,940.92	12,181.46	207,795.52	48,014.50	159,781.02	72.64
080-0800-5589	Prof Services - Printing	500.00	0.00	0.00	500.00	0.00	500.00	100.00
E55 Sub Totals:		364,357.02	6,979.96	15,845.50	348,511.52	144,769.50	203,742.02	55.92
E60	Miscellaneous Expense							
080-0800-5604	Hardware - New & Renewals	5,500.00	120.48	726.31	4,773.69	0.00	4,773.69	86.79
080-0800-5608	Software - New & Renewals	15,465.00	1,040.00	3,239.42	12,225.58	421.44	11,804.14	76.33
080-0800-5614	Copiers & Maintenance	1,320.00	0.00	0.00	1,320.00	0.00	1,320.00	100.00
E60 Sub Totals:		22,285.00	1,160.48	3,965.73	18,319.27	421.44	17,897.83	80.31
E80	Fixed Assets							
080-0800-5808	Fixed Assets - Vehicles	0.00	0.00	0.00	0.00	0.00	0.00	0.00
080-0800-5810	Fixed Assets - Equipment	646,424.36	0.00	280,601.61	365,822.75	515,340.28	-149,517.53	0.00
080-0800-5816	Fixed Assets - Infrastructure	574,887.37	54,903.22	54,903.22	519,984.15	56,959.45	463,024.70	80.54
080-0800-5828	Projects	1,331,681.42	6,300.00	6,300.00	1,325,381.42	554,521.88	770,859.54	57.89
080-0800-5898	Fix Asset Contra Act	0.00	0.00	0.00	0.00	0.00	0.00	0.00
E80 Sub Totals:		2,552,993.15	61,203.22	341,804.83	2,211,188.32	1,126,821.61	1,084,366.71	42.47
E90	Construction Projects							
080-0800-5910	Projects - Overlays	740,170.45	55,000.00	57,300.00	682,870.45	253,034.95	429,835.50	58.07
E90 Sub Totals:		740,170.45	55,000.00	57,300.00	682,870.45	253,034.95	429,835.50	58.07
Expense Sub Totals:		6,157,390.95	280,237.96	925,191.18	5,232,199.77	1,551,337.96	3,680,861.81	59.78
Dept 0800 Sub Totals:		1,816,247.90	-3,447.53	-81,926.07	1,898,173.97	1,551,337.96		
Fund Revenue Sub Totals:		4,341,143.05	283,685.49	1,007,117.25	3,334,025.80	0.00	3,334,025.80	76.80
Fund Expense Sub Totals:		6,602,881.69	307,124.01	1,001,106.77	5,601,774.92	1,660,914.17	3,940,860.75	59.68
Fund 080 Sub Totals:		2,261,738.64	23,438.52	-6,010.48	2,267,749.12	1,660,914.17		
Special Redemp - 2016 Bond								
Intergovernmental Tsfr								
Xfer to Other		0.00	0.00	0.00	0.00	0.00	0.00	0.00
E62 Sub Totals:		0.00	0.00	0.00	0.00	0.00	0.00	0.00
Expense Sub Totals:		0.00	0.00	0.00	0.00	0.00	0.00	0.00

Account Number	Description	Budget Amount	Period Amount	YTD Amount	YTD Var	Encumbered Amount	Available	% Available
Dept 110-0100	Dept 0000 Sub Totals:	0.00	0.00	0.00	0.00	0.00		
R62	Administration							
110-0100-4623	Intergovernmental Tsfrs	375,000.00	14.80	47.58	374,952.42	0.00	374,952.42	99.99
	Xfer from Other Fund							
R85	R62 Sub Totals:	375,000.00	14.80	47.58	374,952.42	0.00	374,952.42	99.99
110-0100-4855	Interest Revenue							
	Gain on Investment	0.00	0.01	0.03	-0.03	0.00	-0.03	0.00
	R85 Sub Totals:	0.00	0.01	0.03	-0.03	0.00	-0.03	0.00
	Revenue Sub Totals:	375,000.00	14.81	47.61	374,952.39	0.00	374,952.39	99.99
	Dept 0100 Sub Totals:	-375,000.00	-14.81	-47.61	-374,952.39	0.00		
	Fund Revenue Sub Totals:	375,000.00	14.81	47.61	374,952.39	0.00	374,952.39	99.99
	Fund Expense Sub Totals:	0.00	0.00	0.00	0.00	0.00	0.00	0.00
	Fund 110 Sub Totals:	-375,000.00	-14.81	-47.61	-374,952.39	0.00		
Fund 113	Debt Service Reserve Fund							
Dept 113-0100	Administration							
R85	Interest Revenue	0.00	14.80	47.58	-47.58	0.00	-47.58	0.00
113-0100-4850	Interest Revenue							
	R85 Sub Totals:	0.00	14.80	47.58	-47.58	0.00	-47.58	0.00
	Revenue Sub Totals:	0.00	14.80	47.58	-47.58	0.00	-47.58	0.00
E62	Intergovernmental Tsfr							
113-0100-5626	Xfer to other fund	0.00	14.80	47.58	-47.58	0.00	-47.58	0.00
	E62 Sub Totals:	0.00	14.80	47.58	-47.58	0.00	-47.58	0.00
	Expense Sub Totals:	0.00	14.80	47.58	-47.58	0.00	-47.58	0.00
	Dept 0100 Sub Totals:	0.00	0.00	0.00	0.00	0.00		
	Fund Revenue Sub Totals:	0.00	14.80	47.58	-47.58	0.00	-47.58	0.00
	Fund Expense Sub Totals:	0.00	14.80	47.58	-47.58	0.00	-47.58	0.00

Account Number	Description	Budget Amount	Period Amount	YTD Amount	YTD Var	Encumbered Amount	Available	% Available
Fund 114	Fund 113 Sub Totals:							
Dept 114-0000	2016 Bond Fund	0.00	0.00	0.00	0.00	0.00		
R62	Intergovernmental Tsfrs							
114-0000-4623	Xfer from Other Fund	0.00	0.00	0.00	0.00	0.00	0.00	0.00
	R62 Sub Totals:	0.00	0.00	0.00	0.00	0.00	0.00	0.00
	Revenue Sub Totals:	0.00	0.00	0.00	0.00	0.00	0.00	0.00
E72	Bond Expense							
114-0000-5722	Bond Principle Pmt	700,000.00	0.00	0.00	700,000.00	0.00	700,000.00	100.00
114-0000-5724	Bond Fees	950.00	0.00	0.00	950.00	0.00	950.00	100.00
	E72 Sub Totals:	700,950.00	0.00	0.00	700,950.00	0.00	700,950.00	100.00
E85	Interest Expense							
114-0000-5850	Interest Expense	778,975.00	0.00	0.00	778,975.00	0.00	778,975.00	100.00
	E85 Sub Totals:	778,975.00	0.00	0.00	778,975.00	0.00	778,975.00	100.00
	Expense Sub Totals:	1,479,925.00	0.00	0.00	1,479,925.00	0.00	1,479,925.00	100.00
Dept 114-0100	Dept 0000 Sub Totals:	1,479,925.00	0.00	0.00	1,479,925.00	0.00		
R10	Administration							
114-0100-4610	Taxes - Sales	2,969,168.00	225,226.28	766,099.11	2,203,068.89	0.00	2,203,068.89	74.20
	Loan Proceeds from Sales Tax							
	R10 Sub Totals:	2,969,168.00	225,226.28	766,099.11	2,203,068.89	0.00	2,203,068.89	74.20
	Revenue Sub Totals:	2,969,168.00	225,226.28	766,099.11	2,203,068.89	0.00	2,203,068.89	74.20
	Dept 0100 Sub Totals:	-2,969,168.00	-225,226.28	-766,099.11	-2,203,068.89	0.00		
Dept 114-0400	Parks							
R85	Interest Revenue	0.00	28.20	75.20	-75.20	0.00	-75.20	0.00
114-0400-4850	Interest Revenue	0.00	28.20	75.20	-75.20	0.00	-75.20	0.00
	R85 Sub Totals:	0.00	28.20	75.20	-75.20	0.00	-75.20	0.00
	Revenue Sub Totals:	0.00	28.20	75.20	-75.20	0.00	-75.20	0.00
E62	Intergovernmental Tsfr							
114-0400-5626	Xfer to other fund	375,000.00	0.00	0.00	375,000.00	0.00	375,000.00	100.00

Account Number	Description	Budget Amount	Period Amount	YTD Amount	YTD Var	Encumbered Amount	Available	% Available
	E62 Sub Totals:	375,000.00	0.00	0.00	375,000.00	0.00	375,000.00	100.00
	Expense Sub Totals:	375,000.00	0.00	0.00	375,000.00	0.00	375,000.00	100.00
	Dept 0400 Sub Totals:	375,000.00	-28.20	-75.20	375,075.20	0.00		
	Fund Revenue Sub Totals:	2,969,168.00	225,254.48	766,174.31	2,202,993.69	0.00	2,202,993.69	74.20
	Fund Expense Sub Totals:	1,854,925.00	0.00	0.00	1,854,925.00	0.00	1,854,925.00	100.00
	Fund 114 Sub Totals:	-1,114,243.00	-225,254.48	-766,174.31	-348,068.69	0.00		
Fund 167	2022 Amend 78							
Dept 167-0100	Administration							
R10	Taxes - Sales							
167-0100-4610	Loan Proceeds	0.00	925,000.01	925,000.01	-925,000.01	0.00	-925,000.01	0.00
	R10 Sub Totals:	0.00	925,000.01	925,000.01	-925,000.01	0.00	-925,000.01	0.00
	Revenue Sub Totals:	0.00	925,000.01	925,000.01	-925,000.01	0.00	-925,000.01	0.00
	Dept 0100 Sub Totals:	0.00	-925,000.01	-925,000.01	925,000.01	0.00		
	Fund Revenue Sub Totals:	0.00	925,000.01	925,000.01	-925,000.01	0.00	-925,000.01	0.00
	Fund Expense Sub Totals:	0.00	0.00	0.00	0.00	0.00	0.00	0.00
	Fund 167 Sub Totals:	0.00	-925,000.01	-925,000.01	925,000.01	0.00		
Fund 185	Street Bond 2016 DS							
Dept 185-0800	Street							
R62	Intergovernmental Tsfrs							
185-0800-4627	Xfer from Other	649,000.20	53,787.00	161,112.74	487,887.46	0.00	487,887.46	75.18
	R62 Sub Totals:	649,000.20	53,787.00	161,112.74	487,887.46	0.00	487,887.46	75.18
	Interest Revenue							
R85	Interest Revenue	0.00	4.79	13.44	-13.44	0.00	-13.44	0.00
185-0800-4850								
	R85 Sub Totals:	0.00	4.79	13.44	-13.44	0.00	-13.44	0.00
	Revenue Sub Totals:	649,000.20	53,791.79	161,126.18	487,874.02	0.00	487,874.02	75.17
E72	Bond Expense							
185-0800-5722	Bond Principal Pmt	360,000.00	0.00	501,271.88	-141,271.88	0.00	-141,271.88	0.00

Account Number	Description	Budget Amount	Period Amount	YTD Amount	YTD Var	Encumbered Amount	Available	% Available
185-0800-5724	Bond Fees	1,008.00	83.33	249.99	758.01	0.00	758.01	75.20
	E72 Sub Totals:	361,008.00	83.33	501,521.87	-140,513.87	0.00	-140,513.87	0.00
	Interest Expense							
	Interest Expense	278,493.76	0.00	0.00	278,493.76	0.00	278,493.76	100.00
	E85 Sub Totals:	278,493.76	0.00	0.00	278,493.76	0.00	278,493.76	100.00
	Expense Sub Totals:	639,501.76	83.33	501,521.87	137,979.89	0.00	137,979.89	21.58
	Dept 0800 Sub Totals:	-9,498.44	-53,708.46	340,395.69	-349,894.13	0.00		
	Fund Revenue Sub Totals:	649,000.20	53,791.79	161,126.18	487,874.02	0.00	487,874.02	75.17
	Fund Expense Sub Totals:	639,501.76	83.33	501,521.87	137,979.89	0.00	137,979.89	21.58
	Fund 185 Sub Totals:	-9,498.44	-53,708.46	340,395.69	-349,894.13	0.00		
	Street Bond 2016 DSR							
	Street							
	Interest Revenue	0.00	2.49	8.23	-8.23	0.00	-8.23	0.00
	Interest Revenue	0.00	2.49	8.23	-8.23	0.00	-8.23	0.00
	R85 Sub Totals:	0.00	2.49	8.23	-8.23	0.00	-8.23	0.00
	Revenue Sub Totals:							
	Intergovernmental Tsfr	0.00	0.00	5.74	-5.74	0.00	-5.74	0.00
	Xfer to Other							
	E62 Sub Totals:	0.00	0.00	5.74	-5.74	0.00	-5.74	0.00
	Expense Sub Totals:	0.00	0.00	5.74	-5.74	0.00	-5.74	0.00
	Dept 0800 Sub Totals:	0.00	-2.49	-2.49	2.49	0.00		
	Fund Revenue Sub Totals:	0.00	2.49	8.23	-8.23	0.00	-8.23	0.00
	Fund Expense Sub Totals:	0.00	0.00	5.74	-5.74	0.00	-5.74	0.00
	Fund 186 Sub Totals:	0.00	-2.49	-2.49	2.49	0.00		
	2016 Street Construction Fund							
	Street							
	Interest Revenue	0.00	-2.49	-2.49	2.49	0.00	-2.49	0.00

Account Number	Description	Budget Amount	Period Amount	YTD Amount	YTD Var	Encumbered Amount	Available	% Available
187-0800-4850	Interest Revenue	0.00	130.73	424.60	-424.60	0.00	-424.60	0.00
	R85 Sub Totals:	0.00	130.73	424.60	-424.60	0.00	-424.60	0.00
	Revenue Sub Totals:	0.00	130.73	424.60	-424.60	0.00	-424.60	0.00
E90	Construction Projects							
187-0800-5900	Construction Projects	2,000,000.00	23,169.10	139,735.78	1,860,264.22	0.00	1,860,264.22	93.01
	E90 Sub Totals:	2,000,000.00	23,169.10	139,735.78	1,860,264.22	0.00	1,860,264.22	93.01
	Expense Sub Totals:	2,000,000.00	23,169.10	139,735.78	1,860,264.22	0.00	1,860,264.22	93.01
	Dept 0800 Sub Totals:	2,000,000.00	23,038.37	139,311.18	1,860,688.82	0.00		
	Fund Revenue Sub Totals:	0.00	130.73	424.60	-424.60	0.00	-424.60	0.00
	Fund Expense Sub Totals:	2,000,000.00	23,169.10	139,735.78	1,860,264.22	0.00	1,860,264.22	93.01
	Fund 187 Sub Totals:	2,000,000.00	23,038.37	139,311.18	1,860,688.82	0.00		
Fund 500	Revenue Fund - Water & WW							
Dept 500-0000	Water and WW							
E40	Operations Expense							
500-0000-5501	Bad Debt Expense	0.00	0.00	0.00	0.00	0.00	0.00	0.00
	E40 Sub Totals:	0.00	0.00	0.00	0.00	0.00	0.00	0.00
	Expense Sub Totals:	0.00	0.00	0.00	0.00	0.00	0.00	0.00
	Dept 0000 Sub Totals:	0.00	0.00	0.00	0.00	0.00		
Dept 500-0140	Stormwater							
R50	Sale of Services							
500-0140-4567	Stormwater Rev Fees	20,000.00	1,000.00	9,500.00	10,500.00	0.00	10,500.00	52.50
500-0140-4568	Stormwater Rev - Residential	244,000.00	20,295.00	60,684.00	183,316.00	0.00	183,316.00	75.13
500-0140-4569	Stormwater Rev - Business	44,000.00	3,774.00	11,304.00	32,696.00	0.00	32,696.00	74.31
	R50 Sub Totals:	308,000.00	25,069.00	81,488.00	226,512.00	0.00	226,512.00	73.54
	Revenue Sub Totals:	308,000.00	25,069.00	81,488.00	226,512.00	0.00	226,512.00	73.54
E62	Intergovernmental Trsf							
500-0140-5622	Xfer to Fund 515	308,000.00	25,562.00	82,080.90	225,919.10	0.00	225,919.10	73.35

Account Number	Description	Budget Amount	Period Amount	YTD Amount	YTD Var	Encumbered Amount	Available	% Available
E62 Sub Totals:		308,000.00	25,562.00	82,080.90	225,919.10	0.00	225,919.10	73.35
Expense Sub Totals:		308,000.00	25,562.00	82,080.90	225,919.10	0.00	225,919.10	73.35
Dept 0140 Sub Totals:		0.00	493.00	592.90	-592.90	0.00		
Dept 500-0900	Water							
R50	Sale of Services							
500-0900-4504	CAW Watershed	75,276.00	8,264.25	24,773.47	50,502.53	0.00	50,502.53	67.09
500-0900-4532	One Time Charge	38,500.00	4,084.00	11,328.00	27,172.00	0.00	27,172.00	70.58
500-0900-4536	Penalties	150,000.00	20,118.13	59,801.46	90,198.54	0.00	90,198.54	60.13
500-0900-4537	Insufficient Check Fee	2,000.00	100.00	500.00	1,500.00	0.00	1,500.00	75.00
500-0900-4540	Sales - CAW System Devel	6,529.00	2,700.50	4,651.50	1,877.50	0.00	1,877.50	28.76
500-0900-4542	Sales - FSDWA	39,600.00	3,336.40	9,981.00	29,619.00	0.00	29,619.00	74.80
500-0900-4544	Water Misc Income	98,737.00	18,175.00	55,710.00	43,027.00	0.00	43,027.00	43.58
500-0900-4548	Sales - Pump Maintenance	32,000.00	2,084.95	6,293.70	25,706.30	0.00	25,706.30	80.33
500-0900-4550	Sales - Service Charges	27,500.00	2,790.00	7,215.00	20,285.00	0.00	20,285.00	73.76
500-0900-4554	Sales - Water	4,323,000.00	261,429.95	757,140.85	3,565,859.15	0.00	3,565,859.15	82.49
500-0900-4556	Sales - Water Connections	17,000.00	6,380.00	10,935.00	6,065.00	0.00	6,065.00	35.68
500-0900-4560	Sales Tax Revenue	260,000.00	25,959.78	75,098.14	184,901.86	0.00	184,901.86	71.12
500-0900-4566	Woodland Hills Watershed	4,356.00	464.40	1,379.70	2,976.30	0.00	2,976.30	68.33
R50 Sub Totals:		5,074,498.00	355,887.36	1,024,807.82	4,049,690.18	0.00	4,049,690.18	79.80
R60	Miscellaneous Revenue							
500-0900-4600	Miscellaneous Revenue	5,000.00	-100.00	-54.55	5,054.55	0.00	5,054.55	101.09
500-0900-4629	NXfer to Water Impact	35,000.00	10,895.00	19,970.00	15,030.00	0.00	15,030.00	42.94
500-0900-4632	NXfer to Subdiv Impact Wtr	4,500.00	150.00	1,450.00	3,050.00	0.00	3,050.00	67.78
R60 Sub Totals:		44,500.00	10,945.00	21,365.45	23,134.55	0.00	23,134.55	51.99
Revenue Sub Totals:		5,118,998.00	366,832.36	1,046,173.27	4,072,824.73	0.00	4,072,824.73	79.56
E40	Operations Expense							
500-0900-5475	Credit Card Fees	69,600.00	8,531.24	23,905.46	45,694.54	0.00	45,694.54	65.65
E40 Sub Totals:		69,600.00	8,531.24	23,905.46	45,694.54	0.00	45,694.54	65.65
E60	Miscellaneous Expense							
500-0900-5600	Miscellaneous Expense	1,000.00	0.00	156.45	843.55	0.00	843.55	84.36
E60 Sub Totals:		1,000.00	0.00	156.45	843.55	0.00	843.55	84.36
E62	Intergovernmental Tsfr							
500-0900-5624	Xfer to Water	3,500,000.00	195,833.50	1,054,167.50	2,445,832.50	0.00	2,445,832.50	69.88
500-0900-5629	Xfer to Water Impact	35,000.00	1,800.00	9,075.00	25,925.00	0.00	25,925.00	74.07

Account Number	Description	Budget Amount	Period Amount	YTD Amount	YTD Var	Encumbered Amount	Available	% Available
E62 Sub Totals:		3,555,000.00	197,633.50	1,063,242.50	2,471,757.50	0.00	2,471,757.50	69.92
Expense Sub Totals:		3,605,600.00	206,164.74	1,087,304.41	2,518,295.59	0.00	2,518,295.59	69.84
Dept 0900 Sub Totals:		-1,513,398.00	-160,667.62	41,131.14	-1,554,529.14	0.00		
Wastewater								
Sale of Services								
500-0950-4552	Dept 0900 Sub Totals:	5,563,787.00	415,258.21	1,194,298.44	4,369,488.56	0.00	4,369,488.56	78.53
500-0950-4558	Sales - Wastewater	13,750.00	3,350.00	6,050.00	7,700.00	0.00	7,700.00	56.00
	Sales - WW Connections							
R50 Sub Totals:		5,577,537.00	418,608.21	1,200,348.44	4,377,188.56	0.00	4,377,188.56	78.48
R60	Miscellaneous Revenue							
500-0950-4600	Miscellaneous Revenue	100.00	8.95	26.85	73.15	0.00	73.15	73.15
500-0950-4631	Xfer Wastewater Impact	50,000.00	9,650.00	19,450.00	30,550.00	0.00	30,550.00	61.10
R60 Sub Totals:		50,100.00	9,658.95	19,476.85	30,623.15	0.00	30,623.15	61.12
Revenue Sub Totals:		5,627,637.00	428,267.16	1,219,825.29	4,407,811.71	0.00	4,407,811.71	78.32
E60	Miscellaneous Expense							
500-0950-5600	Miscellaneous Expense	96,000.00	8,601.32	26,753.58	69,246.42	0.00	69,246.42	72.13
E60 Sub Totals:		96,000.00	8,601.32	26,753.58	69,246.42	0.00	69,246.42	72.13
E62	Intergovernmental Tsfr							
500-0950-5624	Xfer to Water	4,064,000.00	229,166.50	1,220,832.50	2,843,167.50	0.00	2,843,167.50	69.96
500-0950-5631	Xfer to Wastewater Impact	50,000.00	2,000.00	10,650.00	39,350.00	0.00	39,350.00	78.70
500-0950-5632	Xfer to Subdivision Impact WW	0.00	0.00	0.00	0.00	0.00	0.00	0.00
E62 Sub Totals:		4,114,000.00	231,166.50	1,231,482.50	2,882,517.50	0.00	2,882,517.50	70.07
Expense Sub Totals:		4,210,000.00	239,767.82	1,258,236.08	2,951,763.92	0.00	2,951,763.92	70.11
Dept 0950 Sub Totals:		-1,417,637.00	-188,499.34	38,410.79	-1,456,047.79	0.00		
Fund Revenue Sub Totals:		11,054,635.00	820,168.52	2,347,486.56	8,707,148.44	0.00	8,707,148.44	78.76
Fund Expense Sub Totals:		8,123,600.00	471,494.56	2,427,621.39	5,695,978.61	0.00	5,695,978.61	70.12
Fund 500 Sub Totals:		-2,931,035.00	-348,673.96	80,134.83	-3,011,169.83	0.00		
Dept 510-0000	Water Operating Fund							
E80	Fixed Assets							



Account Number	Description	Budget Amount	Period Amount	YTD Amount	YTD Var	Encumbered Amount	Available	% Available
510-0000-5898	Fix Asset Contra Act	0.00	0.00	0.00	0.00	0.00	0.00	0.00
	E80 Sub Totals:	0.00	0.00	0.00	0.00	0.00	0.00	0.00
	Expense Sub Totals:	0.00	0.00	0.00	0.00	0.00	0.00	0.00
Dept 0000 Sub Totals:	Water	0.00	0.00	0.00	0.00	0.00	0.00	0.00
R60	Miscellaneous Revenue	100.00	-2,302.08	-2,302.08	2,402.08	0.00	2,402.08	2,402.08
510-0900-4600	Miscellaneous Revenue	100.00	-2,302.08	-2,302.08	2,402.08	0.00	2,402.08	2,402.08
R62	Intergovernmental Tsfrs	3,500,000.00	212,500.00	1,137,500.00	2,362,500.00	0.00	2,362,500.00	67.50
510-0900-4625	Xfer from Water	3,500,000.00	212,500.00	1,137,500.00	2,362,500.00	0.00	2,362,500.00	67.50
	Revenue Sub Totals:	3,500,100.00	210,197.92	1,135,197.92	2,364,902.08	0.00	2,364,902.08	67.57
E01	Personnel Expense	571,573.77	37,178.90	104,780.77	466,793.00	0.00	466,793.00	81.67
510-0900-5000	Salary Expense	169,571.00	14,130.92	42,392.76	127,178.24	0.00	127,178.24	75.00
510-0900-5005	SWB Reimbursement	17,217.71	1,706.14	4,210.66	13,007.05	0.00	13,007.05	75.54
510-0900-5010	Overtime Expense	44,996.66	2,933.96	8,212.50	36,784.16	0.00	36,784.16	81.75
510-0900-5020	FICA Expense	780.00	0.00	34.35	745.65	0.00	745.65	95.60
510-0900-5022	Unemployment Expense	15,000.00	0.00	15,743.03	-743.03	0.00	-743.03	0.00
510-0900-5025	Worker's Comp Expense	85,739.97	5,799.72	16,226.06	69,513.91	0.00	69,513.91	81.08
510-0900-5030	APERS Expense	82,840.56	6,133.06	17,416.48	65,424.08	0.00	65,424.08	78.98
510-0900-5040	Health Insurance Expense	800.00	0.00	0.00	800.00	14.95	785.05	98.13
510-0900-5050	Physical & Drug Screen Exp	0.00	25.00	25.00	-25.00	0.00	-25.00	0.00
510-0900-5054	Bring Your Own Device Phone	10,392.85	183.18	1,062.24	9,330.61	185.50	9,145.11	87.99
510-0900-5055	Uniform Expense	9,000.00	450.00	502.00	8,498.00	0.00	8,498.00	94.42
510-0900-5060	Travel & Training Expense	1,007,912.52	68,540.88	210,605.85	797,306.67	200.45	797,106.22	79.08
E10	Building & Grounds Exp	12,324.12	196.91	2,245.73	10,078.39	750.27	9,328.12	75.69
510-0900-5102	Repairs & Maint - Building	3,500.00	0.00	71.42	3,428.58	0.00	3,428.58	97.96
510-0900-5104	Repairs & Maint - Grounds	60,000.00	3,876.86	11,374.81	48,625.19	0.00	48,625.19	81.04
510-0900-5110	Utilities - Electric	2,499.96	439.43	1,232.44	1,267.52	0.00	1,267.52	50.70
510-0900-5111	Utilities - Gas	300.00	21.09	63.36	236.64	0.00	236.64	78.88
510-0900-5112	Utilities - Water	8,460.00	715.21	2,144.29	6,315.71	0.00	6,315.71	74.65
510-0900-5115	Com Exp - Tel Landline.Interne	15,000.00	826.74	2,459.01	12,540.99	65.96	12,475.03	83.17
510-0900-5116	Communication Exp - Cellular	12,893.00	0.00	0.00	12,893.00	0.00	12,893.00	100.00
510-0900-5120	Insurance - Property							

Account Number	Description	Budget Amount	Period Amount	YTD Amount	YTD Var	Encumbered Amount	Available	% Available
510-0900-5130	Sanitation	1,800.00	135.10	936.47	863.53	113.54	749.99	41.67
510-0900-5140	Supplies - B&G	1,500.00	109.35	360.64	1,139.36	0.00	1,139.36	75.96
510-0900-5142	Janitorial Supplies and Main	10,000.00	0.00	39.76	9,960.24	33.88	9,926.36	99.26
510-0900-5145	Tools	12,500.04	0.00	6,651.09	5,848.95	939.53	4,909.42	39.28
E10 Sub Totals:		140,777.12	6,320.69	27,579.02	113,198.10	1,903.18	111,294.92	79.06
E20	Vehicle Expense							
510-0900-5200	Fuel Expense	54,000.00	3,446.42	9,944.51	44,055.49	0.00	44,055.49	81.58
510-0900-5210	Service & Repair - Vehicle	45,789.96	281.46	602.35	45,187.61	0.00	45,187.61	98.68
510-0900-5218	Tire Expense	12,000.00	0.00	629.44	11,370.56	0.00	11,370.56	94.75
510-0900-5225	Insurance Expense - Vehicle	7,638.47	0.00	6,859.62	778.85	0.00	778.85	10.20
510-0900-5240	Equipment Rental	5,000.00	0.00	0.00	5,000.00	0.00	5,000.00	100.00
E20 Sub Totals:		124,428.43	3,727.88	18,035.92	106,392.51	0.00	106,392.51	85.50
E30	Supply Expense							
510-0900-5300	Supplies - Office	5,499.96	1,136.39	1,868.70	3,631.26	0.00	3,631.26	66.02
510-0900-5322	Supplies - Operating	259,200.00	4,044.68	10,925.20	248,274.80	14,034.38	234,240.42	90.37
510-0900-5324	Supplies - Chemicals	3,500.00	0.00	0.00	3,500.00	0.00	3,500.00	100.00
510-0900-5326	Supplies - Lab	3,000.00	0.00	0.00	3,000.00	0.00	3,000.00	100.00
510-0900-5350	Postage Expense	96,000.00	-44.94	1,556.88	94,443.12	41.89	94,401.23	98.33
510-0900-5360	Cost of Water	1,468,524.00	86,198.84	289,731.44	1,178,792.56	0.00	1,178,792.56	80.27
E30 Sub Totals:		1,835,723.96	91,334.97	304,082.22	1,531,641.74	14,076.27	1,517,565.47	82.67
E40	Operations Expense							
510-0900-5475	Credit Card Fees	36,780.00	2,197.00	5,019.00	31,761.00	0.00	31,761.00	86.35
510-0900-5480	Dues & Subscriptions	33,492.00	2,326.17	5,130.22	28,361.78	4,050.10	24,311.68	72.59
510-0900-5515	Elections or Permit Fee Exp	45,000.00	0.00	0.00	45,000.00	0.00	45,000.00	100.00
510-0900-5530	Safety Program	1,500.00	0.00	0.00	1,500.00	0.00	1,500.00	100.00
510-0900-5535	Sales Tax Expense	260,000.00	25,385.48	72,235.19	187,764.81	0.00	187,764.81	72.22
E40 Sub Totals:		376,772.00	29,908.65	82,384.41	294,387.59	4,050.10	290,337.49	77.06
E55	Professional Services							
510-0900-5550	Prof Services - Acctg & Audit	7,400.00	0.00	0.00	7,400.00	0.00	7,400.00	100.00
510-0900-5553	Prof Services - Advertising	2,000.00	335.84	335.84	1,664.16	0.00	1,664.16	83.21
510-0900-5571	Prof Services - Engineering	16,644.00	0.00	0.00	16,644.00	0.00	16,644.00	100.00
510-0900-5574	Prof Services - GIS	2,000.00	0.00	0.00	2,000.00	0.00	2,000.00	100.00
510-0900-5586	Prof Services - Other	74,862.00	12,335.51	15,489.39	59,372.61	41,427.62	17,944.99	23.97
510-0900-5589	Prof Services - Printing	5,500.08	175.00	525.00	4,975.08	350.00	4,625.08	84.09
E55 Sub Totals:		108,406.08	12,846.35	16,350.23	92,055.85	41,777.62	50,278.23	46.38
E60	Miscellaneous Expense							
510-0900-5600	Miscellaneous Expense	0.00	0.00	253.75	-253.75	0.00	-253.75	0.00

Account Number	Description	Budget Amount	Period Amount	YTD Amount	YTD Var	Encumbered Amount	Available	% Available
510-0900-5604	Hardware - New & Renewals	7,000.00	120.48	1,126.30	5,873.70	158.22	5,715.48	81.65
510-0900-5608	Software - New & Renewals	38,110.00	1,495.00	5,670.43	32,439.57	6,344.32	26,095.25	68.47
510-0900-5614	Copiers & Maintenance	8,320.00	0.00	189.54	8,130.46	0.00	8,130.46	97.72
E60 Sub Totals:		53,430.00	1,615.48	7,240.02	46,189.98	6,502.54	39,687.44	74.28
E62	Intergovernmental Tsfr							
510-0900-5626	Xfer Depreciation Fd - Water	97,000.00	9,177.33	27,388.66	69,611.34	0.00	69,611.34	71.76
E62 Sub Totals:		97,000.00	9,177.33	27,388.66	69,611.34	0.00	69,611.34	71.76
E72	Bond Expense							
510-0900-5724	Bond Fees	48,999.96	3,829.08	11,487.24	37,512.72	0.00	37,512.72	76.56
E72 Sub Totals:		48,999.96	3,829.08	11,487.24	37,512.72	0.00	37,512.72	76.56
E80	Fixed Assets							
510-0900-5808	Fixed Assets - Vehicles	0.00	0.00	0.00	0.00	0.00	0.00	0.00
510-0900-5816	Fixed Assets - Infrastructure	499,908.75	0.00	15,576.71	484,332.04	33,324.71	451,007.33	90.22
510-0900-5821	Other Equipment	120,000.00	0.00	0.00	120,000.00	0.00	120,000.00	100.00
510-0900-5822	COE Degray Project	117,000.00	0.00	0.00	117,000.00	0.00	117,000.00	100.00
510-0900-5824	Depreciation Expense	500,000.00	0.00	0.00	500,000.00	0.00	500,000.00	100.00
E80 Sub Totals:		1,236,908.75	0.00	15,576.71	1,221,332.04	33,324.71	1,188,007.33	96.05
E85	Interest Expense							
510-0900-5850	Interest Expense	180,665.00	7,022.49	21,067.47	159,597.53	9,000.00	150,597.53	83.36
E85 Sub Totals:		180,665.00	7,022.49	21,067.47	159,597.53	9,000.00	150,597.53	83.36
Expense Sub Totals:		5,211,023.82	234,323.80	741,797.75	4,469,226.07	110,834.87	4,358,391.20	83.64
Dept 0900 Sub Totals:		1,710,923.82	24,125.88	-393,400.17	2,104,323.99	110,834.87		
R60	Wastewater							
510-0950-4600	Miscellaneous Revenue	0.00	2,608.85	2,608.85	-2,608.85	0.00	-2,608.85	0.00
R60 Sub Totals:		0.00	2,608.85	2,608.85	-2,608.85	0.00	-2,608.85	0.00
R62	Intergovernmental Tsfrs							
510-0950-4625	Xfer from Sewer Sales	4,064,000.00	212,500.00	1,137,500.00	2,926,500.00	0.00	2,926,500.00	72.01
R62 Sub Totals:		4,064,000.00	212,500.00	1,137,500.00	2,926,500.00	0.00	2,926,500.00	72.01
Revenue Sub Totals:		4,064,000.00	215,108.85	1,140,108.85	2,923,891.15	0.00	2,923,891.15	71.95
E01	Personnel Expense							
510-0950-5000	Salary Expense	1,156,304.81	49,019.77	151,690.66	1,004,614.15	0.00	1,004,614.15	86.88

Account Number	Description	Budget Amount	Period Amount	YTD Amount	YTD Var	Encumbered Amount	Available	% Available
510-0950-5005	SWB Reimbursement	169,571.00	14,130.92	42,392.76	127,178.24	0.00	127,178.24	75.00
510-0950-5010	Overtime Expense	70,000.00	5,248.78	17,225.68	52,774.32	0.00	52,774.32	75.39
510-0950-5020	FICA Expense	94,162.76	4,075.84	12,674.43	81,488.33	0.00	81,488.33	86.54
510-0950-5022	Unemployment Expense	1,260.00	0.00	60.69	1,199.31	0.00	1,199.31	95.18
510-0950-5025	Worker's Comp Expense	22,000.00	0.00	21,589.60	410.40	0.00	410.40	1.87
510-0950-5030	APERS Expense	191,776.15	8,223.18	25,802.53	165,973.62	0.00	165,973.62	86.55
510-0950-5040	Health Insurance Expense	203,842.16	8,214.40	28,994.03	174,848.13	0.00	174,848.13	85.78
510-0950-5050	Physical & Drug Screen Exp	1,200.00	166.00	166.00	1,034.00	0.00	1,034.00	86.17
510-0950-5054	Bring Your Own Device - Phone	600.00	25.00	125.00	475.00	0.00	475.00	79.17
510-0950-5055	Uniform Expense	19,140.63	180.84	2,282.14	16,858.49	400.00	16,458.49	85.99
510-0950-5060	Travel & Training Expense	5,000.00	44.50	256.50	4,743.50	0.00	4,743.50	94.87
E10 Sub Totals:		1,934,857.51	89,329.23	303,260.02	1,631,597.49	400.00	1,631,197.49	84.31
E10	Building & Grounds Exp							
510-0950-5102	Repairs & Maint - Building	29,435.08	3,562.85	5,667.97	23,767.11	750.26	23,016.85	78.20
510-0950-5110	Utilities - Electric	348,000.00	27,164.61	94,815.22	253,184.78	0.00	253,184.78	72.75
510-0950-5111	Utilities - Gas	3,000.00	441.85	1,222.79	1,777.21	0.00	1,777.21	59.24
510-0950-5112	Utilities - Water	84,300.00	21.09	63.35	84,236.65	0.00	84,236.65	99.92
510-0950-5115	Com Exp - Tel Landline,Interne	8,460.00	715.21	2,144.30	6,315.70	0.00	6,315.70	74.65
510-0950-5116	Communication Exp - Cellular	16,800.00	740.18	2,181.22	14,618.78	65.97	14,552.81	86.62
510-0950-5120	Insurance - Property	17,997.00	0.00	0.00	17,997.00	0.00	17,997.00	100.00
510-0950-5130	Sanitation	85,000.00	10,484.98	22,980.24	62,019.76	113.55	61,906.21	72.83
510-0950-5140	Supplies - B&G	10,380.00	390.80	499.54	9,880.46	0.00	9,880.46	95.19
510-0950-5142	Janitorial Supplies and Main	2,316.00	0.00	246.15	2,069.85	33.86	2,035.99	87.91
510-0950-5145	Tools	14,544.00	1,825.77	3,643.16	10,900.84	532.68	10,368.16	71.29
E10 Sub Totals:		620,232.08	45,347.34	133,463.94	486,768.14	1,496.32	485,271.82	78.24
E20	Vehicle Expense							
510-0950-5200	Fuel Expense	59,400.00	6,885.90	14,038.14	45,361.86	0.00	45,361.86	76.37
510-0950-5210	Service & Repair - Vehicle	76,248.00	1,039.69	6,126.54	70,121.46	19,119.48	51,001.98	66.89
510-0950-5218	Tire Expense	9,720.00	3,792.54	3,792.54	5,927.46	0.00	5,927.46	60.98
510-0950-5225	Insurance Expense - Vehicle	11,968.61	0.00	10,728.15	1,240.46	2,908.84	-1,668.38	0.00
510-0950-5240	Equipment Rental	4,500.00	219.76	219.76	4,280.24	0.00	4,280.24	95.12
E20 Sub Totals:		161,836.61	11,937.89	34,905.13	126,931.48	22,028.32	104,903.16	64.82
E30	Supply Expense							
510-0950-5300	Supplies - Office	4,776.96	21.50	737.21	4,039.75	0.00	4,039.75	84.57
510-0950-5322	Supplies - Operating	425,438.65	15,917.49	47,763.80	377,674.85	7,279.43	370,395.42	87.06
510-0950-5324	Supplies - Chemicals	231,471.00	39,974.44	81,633.64	149,837.36	11,659.68	138,177.68	59.70
510-0950-5326	Supplies - Lab	45,972.00	3,220.34	9,899.84	36,072.16	24,900.00	11,172.16	24.30
510-0950-5350	Postage Expense	24,000.00	-44.93	466.61	23,553.39	41.89	23,491.50	97.88

Account Number	Description	Budget Amount	Period Amount	YTD Amount	YTD Var	Encumbered Amount	Available	% Available
E40	E40 Sub Totals:	731,658.61	59,088.84	140,501.10	591,157.51	43,881.00	547,276.51	74.80
	Operations Expense							
	Credit Card Fees	36,780.00	2,197.00	5,019.00	31,761.00	0.00	31,761.00	86.35
	Dues & Subscriptions	18,364.00	184.93	7,897.71	10,466.29	1,925.10	8,541.19	46.51
	Safety Program	4,000.00	0.00	55.38	3,944.62	0.00	3,944.62	98.62
	Outside Contractors- I & I	300,000.00	0.00	0.00	300,000.00	0.00	300,000.00	100.00
	Service & Repair - I & I	15,000.00	0.00	0.00	15,000.00	0.00	15,000.00	100.00
E40	E40 Sub Totals:	374,144.00	2,381.93	12,972.09	361,171.91	1,925.10	359,246.81	96.02
E55	Professional Services							
	Prof Services - Acetg & Audit	7,400.00	0.00	0.00	7,400.00	0.00	7,400.00	100.00
	Prof Services - Advertising	3,000.00	335.84	335.84	2,664.16	0.00	2,664.16	88.81
	Prof Services - Engineering	0.00	0.00	0.00	0.00	0.00	0.00	0.00
	Prof Services - GIS	2,000.00	0.00	0.00	2,000.00	0.00	2,000.00	100.00
	Prof Services - Other	69,600.00	18,755.84	21,909.72	47,690.28	38,144.96	9,545.32	13.71
	Prof Services - Printing	7,500.00	175.00	525.00	6,975.00	350.00	6,625.00	88.33
E55	E55 Sub Totals:	89,500.00	19,266.68	22,770.56	66,729.44	38,494.96	28,234.48	31.55
E60	Miscellaneous Expense							
	Miscellaneous Expense	0.00	0.00	668.15	-668.15	0.00	-668.15	0.00
	Hardware - New & Renewals	4,000.00	120.47	726.30	3,273.70	0.00	3,273.70	81.84
	Software - New & Renewals	53,740.00	1,495.00	5,670.43	48,069.57	421.44	47,648.13	88.66
	Copiers & Maintenance	8,320.00	0.00	189.53	8,130.47	0.00	8,130.47	97.72
E60	E60 Sub Totals:	66,060.00	1,615.47	7,254.41	58,805.59	421.44	58,384.15	88.38
E62	Intergovernmental Tsfr							
	Xfer to Other	120,000.00	12,628.27	35,453.63	84,546.37	0.00	84,546.37	70.46
E62	E62 Sub Totals:	120,000.00	12,628.27	35,453.63	84,546.37	0.00	84,546.37	70.46
E72	Bond Expense							
	Bond Fees	66,999.96	5,142.68	15,428.04	51,571.92	0.00	51,571.92	76.97
E72	E72 Sub Totals:	66,999.96	5,142.68	15,428.04	51,571.92	0.00	51,571.92	76.97
E80	Fixed Assets							
	Fixed Assets - Equipment	733,000.00	0.00	0.00	733,000.00	6,171.36	726,828.64	99.16
	Fixed Assets - Infrastructure	2,788,280.86	54,413.04	95,382.37	2,692,898.49	463,783.36	2,229,115.13	79.95
	Depreciation Expense	500,000.00	0.00	0.00	500,000.00	0.00	500,000.00	100.00
E80	E80 Sub Totals:	4,021,280.86	54,413.04	95,382.37	3,925,898.49	469,954.72	3,455,943.77	85.94
E85	Interest Expense							
	Interest Expense	226,808.00	8,007.68	24,023.04	202,784.96	0.00	202,784.96	89.41
E85	E85 Sub Totals:	226,808.00	8,007.68	24,023.04	202,784.96	0.00	202,784.96	89.41

Account Number	Description	Budget Amount	Period Amount	YTD Amount	YTD Var	Encumbered Amount	Available	% Available
E85 Sub Totals:		226,808.00	8,007.68	24,023.04	202,784.96	0.00	202,784.96	89.41
Expense Sub Totals:		8,413,377.63	309,159.05	825,414.33	7,587,963.30	578,601.86	7,009,361.44	83.31
Dept 0950 Sub Totals:		4,349,377.63	94,050.20	-314,694.52	4,664,072.15	578,601.86		
Fund Revenue Sub Totals:		7,564,100.00	425,306.77	2,275,306.77	5,288,793.23	0.00	5,288,793.23	69.92
Fund Expense Sub Totals:		13,624,401.45	543,482.85	1,567,212.08	12,057,189.37	689,436.73	11,367,752.64	83.44
Fund 510 Sub Totals:		6,060,301.45	118,176.08	-708,094.69	6,768,396.14			
Stormwater Utility Fund								
Stormwater								
Intergovernmental Tsfrs								
Xfer from Other Fund		500,000.00	0.00	0.00	500,000.00	0.00	500,000.00	100.00
Xfer from Water Revenue Fund		308,000.00	25,562.00	82,080.90	225,919.10	0.00	225,919.10	73.35
R62 Sub Totals:		808,000.00	25,562.00	82,080.90	725,919.10	0.00	725,919.10	89.84
Interest Revenue								
Interest Revenue		0.00	5.75	16.01	-16.01	0.00	-16.01	0.00
R85 Sub Totals:		0.00	5.75	16.01	-16.01	0.00	-16.01	0.00
Revenue Sub Totals:		808,000.00	25,567.75	82,096.91	725,903.09	0.00	725,903.09	89.84
Fixed Assets								
Fixed Assets - Infrastructure		1,593,446.43	0.00	0.00	1,593,446.43	461,891.88	1,131,554.55	71.01
E80 Sub Totals:		1,593,446.43	0.00	0.00	1,593,446.43	461,891.88	1,131,554.55	71.01
Expense Sub Totals:		1,593,446.43	0.00	0.00	1,593,446.43	461,891.88	1,131,554.55	71.01
Dept 0140 Sub Totals:		785,446.43	-25,567.75	-82,096.91	867,543.34	461,891.88		
Fund Revenue Sub Totals:		808,000.00	25,567.75	82,096.91	725,903.09	0.00	725,903.09	89.84
Fund Expense Sub Totals:		1,593,446.43	0.00	0.00	1,593,446.43	461,891.88	1,131,554.55	71.01
Fund 515 Sub Totals:		785,446.43	-25,567.75	-82,096.91	867,543.34	461,891.88		
Depreciation - WW								
Wastewater								
Intergovernmental Tsfrs								
Fund 525								
Dept 525-0950								
R62								

Account Number	Description	Budget Amount	Period Amount	YTD Amount	YTD Var	Encumbered Amount	Available	% Available
525-0950-4625	Xfer from Water	217,000.00	21,805.60	62,842.29	154,157.71	0.00	154,157.71	71.04
	R62 Sub Totals:	217,000.00	21,805.60	62,842.29	154,157.71	0.00	154,157.71	71.04
	Revenue Sub Totals:							
	Intergovernmental Tsfr							
	Xfer to Water	0.00	0.00	0.00	0.00	0.00	0.00	0.00
	E62 Sub Totals:	0.00	0.00	0.00	0.00	0.00	0.00	0.00
	Expense Sub Totals:							
	Dept 0950 Sub Totals:	-217,000.00	-21,805.60	-62,842.29	-154,157.71	0.00		
	Fund Revenue Sub Totals:	217,000.00	21,805.60	62,842.29	154,157.71	0.00	154,157.71	71.04
	Fund Expense Sub Totals:	0.00	0.00	0.00	0.00	0.00	0.00	0.00
	Fund 525 Sub Totals:	-217,000.00	-21,805.60	-62,842.29	-154,157.71	0.00		
Fund 535	Sub-Div Impact WW							
Dept 535-0950	Wastewater							
R62	Intergovernmental Tsfrs							
535-0950-4625	Xfer from Water Ord 2006-09	0.00	0.00	0.00	0.00	0.00	0.00	0.00
	R62 Sub Totals:	0.00	0.00	0.00	0.00	0.00	0.00	0.00
	Interest Revenue							
	Interest Revenue	0.00	0.20	0.58	-0.58	0.00	-0.58	0.00
	R85 Sub Totals:	0.00	0.20	0.58	-0.58	0.00	-0.58	0.00
	Revenue Sub Totals:							
	Dept 0950 Sub Totals:	0.00	0.20	0.58	-0.58	0.00	-0.58	0.00
	Fund Revenue Sub Totals:							
	Fund Expense Sub Totals:							
	Fund 535 Sub Totals:	0.00	-0.20	-0.58	0.58	0.00	-0.58	0.00
	Impact - Water							
	Water	0.00	0.20	0.58	-0.58	0.00	-0.58	0.00
	Intergovernmental Tsfrs	0.00	0.00	0.00	0.00	0.00	0.00	0.00
	Fund 535 Sub Totals:	0.00	-0.20	-0.58	0.58	0.00	-0.58	0.00
	Impact - Water							
	Water							
	Intergovernmental Tsfrs							

Account Number	Description	Budget Amount	Period Amount	YTD Amount	YTD Var	Encumbered Amount	Available	% Available
550-0900-4625	Xfer frWaterOrd1997-3, 2010-18	35,000.00	1,800.00	9,075.00	25,925.00	0.00	25,925.00	74.07
	R62 Sub Totals:	35,000.00	1,800.00	9,075.00	25,925.00	0.00	25,925.00	74.07
R85	Interest Revenue	0.00	1.70	4.83	-4.83	0.00	-4.83	0.00
550-0900-4850	Interest Revenue	0.00	1.70	4.83	-4.83	0.00	-4.83	0.00
	R85 Sub Totals:	0.00	1.70	4.83	-4.83	0.00	-4.83	0.00
	Revenue Sub Totals:	35,000.00	1,801.70	9,079.83	25,920.17	0.00	25,920.17	74.06
	Dept 0900 Sub Totals:	-35,000.00	-1,801.70	-9,079.83	-25,920.17	0.00		
	Fund Revenue Sub Totals:	35,000.00	1,801.70	9,079.83	25,920.17	0.00	25,920.17	74.06
	Fund Expense Sub Totals:	0.00	0.00	0.00	0.00	0.00	0.00	0.00
	Fund 550 Sub Totals:	-35,000.00	-1,801.70	-9,079.83	-25,920.17	0.00		
Fund 555	Impact - WW							
Dept 555-0950	Wastewater							
R62	Intergovernmental Tsfrs							
555-0950-4625	Xfer from Water Ord 1997-03	50,000.00	2,000.00	10,650.00	39,350.00	0.00	39,350.00	78.70
	R62 Sub Totals:	50,000.00	2,000.00	10,650.00	39,350.00	0.00	39,350.00	78.70
R85	Interest Revenue	0.00	2.04	5.79	-5.79	0.00	-5.79	0.00
555-0950-4850	Interest Revenue	0.00	2.04	5.79	-5.79	0.00	-5.79	0.00
	R85 Sub Totals:	0.00	2.04	5.79	-5.79	0.00	-5.79	0.00
	Revenue Sub Totals:	50,000.00	2,002.04	10,655.79	39,344.21	0.00	39,344.21	78.69
	Dept 0950 Sub Totals:	-50,000.00	-2,002.04	-10,655.79	-39,344.21	0.00		
	Fund Revenue Sub Totals:	50,000.00	2,002.04	10,655.79	39,344.21	0.00	39,344.21	78.69
	Fund Expense Sub Totals:	0.00	0.00	0.00	0.00	0.00	0.00	0.00
	Fund 555 Sub Totals:	-50,000.00	-2,002.04	-10,655.79	-39,344.21	0.00		
Fund 560	Salem Royalty							
Dept 560-0900	Water							
R85	Interest Revenue							
560-0900-4850	Interest Revenue	0.00	0.37	1.07	-1.07	0.00	-1.07	0.00



Account Number	Description	Budget Amount	Period Amount	YTD Amount	YTD Var	Encumbered Amount	Available	% Available
	R85 Sub Totals:	0.00	0.37	1.07	-1.07	0.00	-1.07	0.00
	Revenue Sub Totals:	0.00	0.37	1.07	-1.07	0.00	-1.07	0.00
	Dept 0900 Sub Totals:	0.00	-0.37	-1.07	1.07	0.00		
	Fund Revenue Sub Totals:	0.00	0.37	1.07	-1.07	0.00	-1.07	0.00
	Fund Expense Sub Totals:	0.00	0.00	0.00	0.00	0.00	0.00	0.00
	Fund 560 Sub Totals:	0.00	-0.37	-1.07	1.07	0.00		
Fund 604	W/W/W Ref Rev 2017 Bd Fr							
Dept 604-0000	Water and WW							
R62	Intergovernmental Tsfrs							
604-0000-4623	Xfer from Other Fund	575,000.00	51,509.69	114,553.40	460,446.60	0.00	460,446.60	80.08
	R62 Sub Totals:	575,000.00	51,509.69	114,553.40	460,446.60	0.00	460,446.60	80.08
	Interest Revenue							
R85	Interest Revenue	0.00	14.48	20.35	-20.35	0.00	-20.35	0.00
604-0000-4850	Gain on Investment	0.00	0.00	0.00	0.00	0.00	0.00	0.00
604-0000-4855								
	R85 Sub Totals:	0.00	14.48	20.35	-20.35	0.00	-20.35	0.00
	Revenue Sub Totals:	575,000.00	51,524.17	114,573.75	460,426.25	0.00	460,426.25	80.07
	Intergovernmental Tsfr							
E62	Xfer to Other	575,000.00	0.00	0.00	575,000.00	0.00	575,000.00	100.00
604-0000-5626								
	E62 Sub Totals:	575,000.00	0.00	0.00	575,000.00	0.00	575,000.00	100.00
	Bond Expense							
E72	Bond Fees	2,000.04	166.67	500.01	1,500.03	0.00	1,500.03	75.00
604-0000-5724								
	E72 Sub Totals:	2,000.04	166.67	500.01	1,500.03	0.00	1,500.03	75.00
	Expense Sub Totals:	577,000.04	166.67	500.01	576,500.03	0.00	576,500.03	99.91
	Dept 0000 Sub Totals:	2,000.04	-51,357.50	-114,073.74	116,073.78	0.00		
	Fund Revenue Sub Totals:	575,000.00	51,524.17	114,573.75	460,426.25	0.00	460,426.25	80.07
	Fund Expense Sub Totals:	577,000.04	166.67	500.01	576,500.03	0.00	576,500.03	99.91

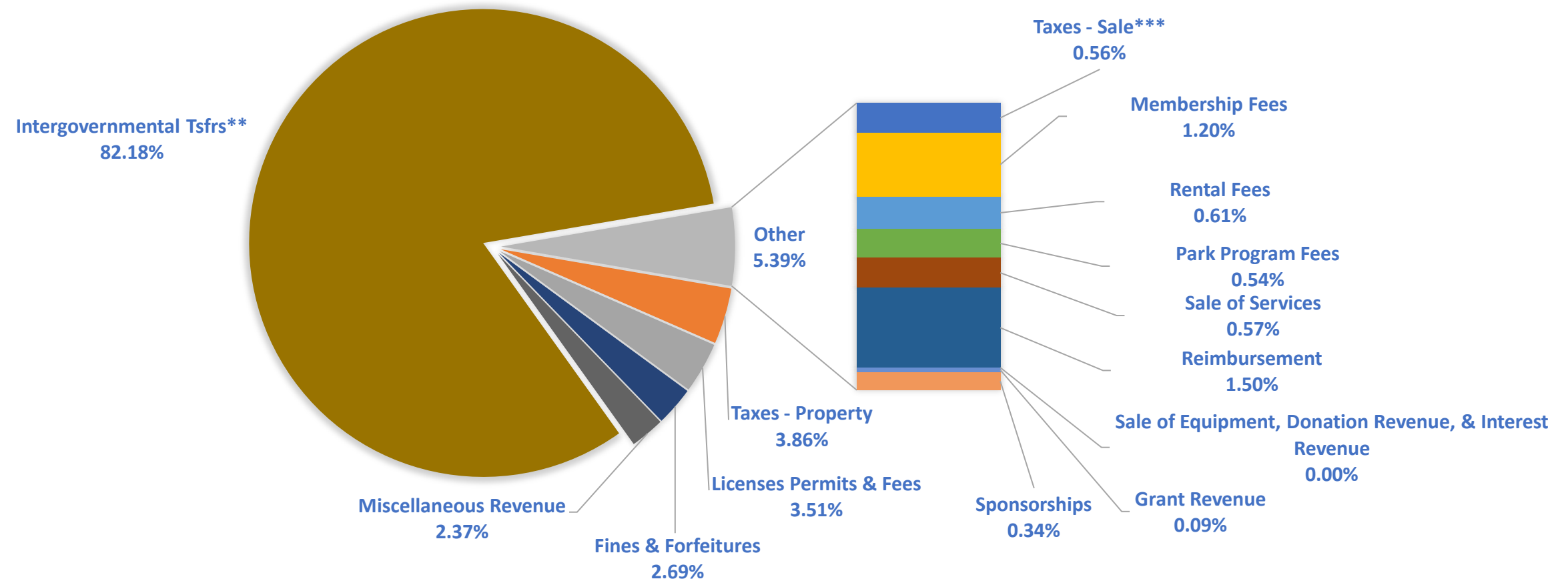
Account Number	Description	Budget Amount	Period Amount	YTD Amount	YTD Var	Encumbered Amount	Available	% Available
Fund 606	Fund 604 Sub Totals:	2,000.04	-51,357.50	-114,073.74	116,073.78	0.00		
Dept 606-0000	W/WW Ref Rev Bonds 2017 DSR							
R85	Water and WW							
606-0000-4850	Interest Revenue	0.00	2.01	6.65	-6.65	0.00	-6.65	0.00
	Interest Revenue	0.00	2.01	6.65	-6.65	0.00	-6.65	0.00
	R85 Sub Totals:	0.00	2.01	6.65	-6.65	0.00	-6.65	0.00
E62	Revenue Sub Totals:							
606-0000-5626	Intergovernmental Tsfr	0.00	0.00	0.00	0.00	0.00	0.00	0.00
	Xfer to Other	0.00	0.00	0.00	0.00	0.00	0.00	0.00
	E62 Sub Totals:	0.00	0.00	0.00	0.00	0.00	0.00	0.00
	Expense Sub Totals:	0.00	0.00	0.00	0.00	0.00	0.00	0.00
	Dept 0000 Sub Totals:	0.00	-2.01	-6.65	6.65	0.00		
	Fund Revenue Sub Totals:	0.00	2.01	6.65	-6.65	0.00	-6.65	0.00
	Fund Expense Sub Totals:	0.00	0.00	0.00	0.00	0.00	0.00	0.00
Fund 700	Fund 606 Sub Totals:	0.00	-2.01	-6.65	6.65	0.00		
Dept 700-0150	A/P Tax Commission							
R85	A/P Tax Commission							
700-0150-4850	Interest Revenue	0.00	98.79	286.69	-286.69	0.00	-286.69	0.00
	Interest Revenue	0.00	98.79	286.69	-286.69	0.00	-286.69	0.00
	R85 Sub Totals:	0.00	98.79	286.69	-286.69	0.00	-286.69	0.00
E60	Revenue Sub Totals:							
700-0150-5600	Miscellaneous Expense	232,000.00	0.00	0.00	232,000.00	0.00	232,000.00	100.00
	Miscellaneous Expense	232,000.00	0.00	0.00	232,000.00	0.00	232,000.00	100.00
	E60 Sub Totals:	232,000.00	0.00	0.00	232,000.00	0.00	232,000.00	100.00
	Expense Sub Totals:	232,000.00	0.00	0.00	232,000.00	0.00	232,000.00	100.00
	Dept 0150 Sub Totals:	232,000.00	-98.79	-286.69	232,286.69	0.00		
	Fund Revenue Sub Totals:	0.00	98.79	286.69	-286.69	0.00	-286.69	0.00

Account Number	Description	Budget Amount	Period Amount	YTD Amount	YTD Var	Encumbered Amount	Available	% Available
	Fund Expense Sub Totals:	232,000.00	0.00	0.00	232,000.00	0.00	232,000.00	100.00
	Fund 700 Sub Totals:	232,000.00	-98.79	-286.69	232,286.69	0.00		
	Revenue Totals:	62,469,713.25	5,534,559.76	16,112,296.90	46,357,416.35	0.00	46,357,351.35	74.21
	Expense Totals:	70,755,831.36	4,014,560.66	13,853,247.16	56,902,584.20	4,085,307.29	52,817,276.91	74.65
	Report Totals:	8,286,118.11	-1,519,999.10	-2,259,049.74	10,545,167.85	4,085,372.29		

001 General Fund Quarterly Revenue Review

Total Revenues						
Cat.	Description	1Q 2022	2Q 2022	3Q 2022	4Q 2022	YTD 2022
R10	Taxes - Sale***	\$ 22,409.88	\$ -	\$ -	\$ -	\$ 22,409.88
R15	Taxes - Property	\$ 155,624.73	\$ -	\$ -	\$ -	\$ 155,624.73
R20	Licenses Permits & Fees	\$ 141,419.57	\$ -	\$ -	\$ -	\$ 141,419.57
R30	Membership Fees	\$ 48,321.25	\$ -	\$ -	\$ -	\$ 48,321.25
R33	Rental Fees	\$ 24,590.00	\$ -	\$ -	\$ -	\$ 24,590.00
R36	Park Program Fees	\$ 21,707.40	\$ -	\$ -	\$ -	\$ 21,707.40
R40	Fines & Forfeitures	\$ 108,384.71	\$ -	\$ -	\$ -	\$ 108,384.71
R50	Sale of Services	\$ 22,799.80	\$ -	\$ -	\$ -	\$ 22,799.80
R60	Miscellaneous Revenue	\$ 95,273.64	\$ -	\$ -	\$ -	\$ 95,273.64
R62	Intergovernmental Tsfrs**	\$ 3,309,831.99	\$ -	\$ -	\$ -	\$ 3,309,831.99
R64	Reimbursement	\$ 60,322.32	\$ -	\$ -	\$ -	\$ 60,322.32
R66, R68, R85	Sale of Equipment, Donation Revenue, & Interest Revenue	\$ -	\$ -	\$ -	\$ -	\$ -
R70	Grant Revenue	\$ 3,503.85	\$ -	\$ -	\$ -	\$ 3,503.85
R74	Sponsorships	\$ 13,493.21	\$ -	\$ -	\$ -	\$ 13,493.21
		\$ 4,027,682.35	\$ -	\$ -	\$ -	\$ 4,027,682.35

TOTAL REVENUES

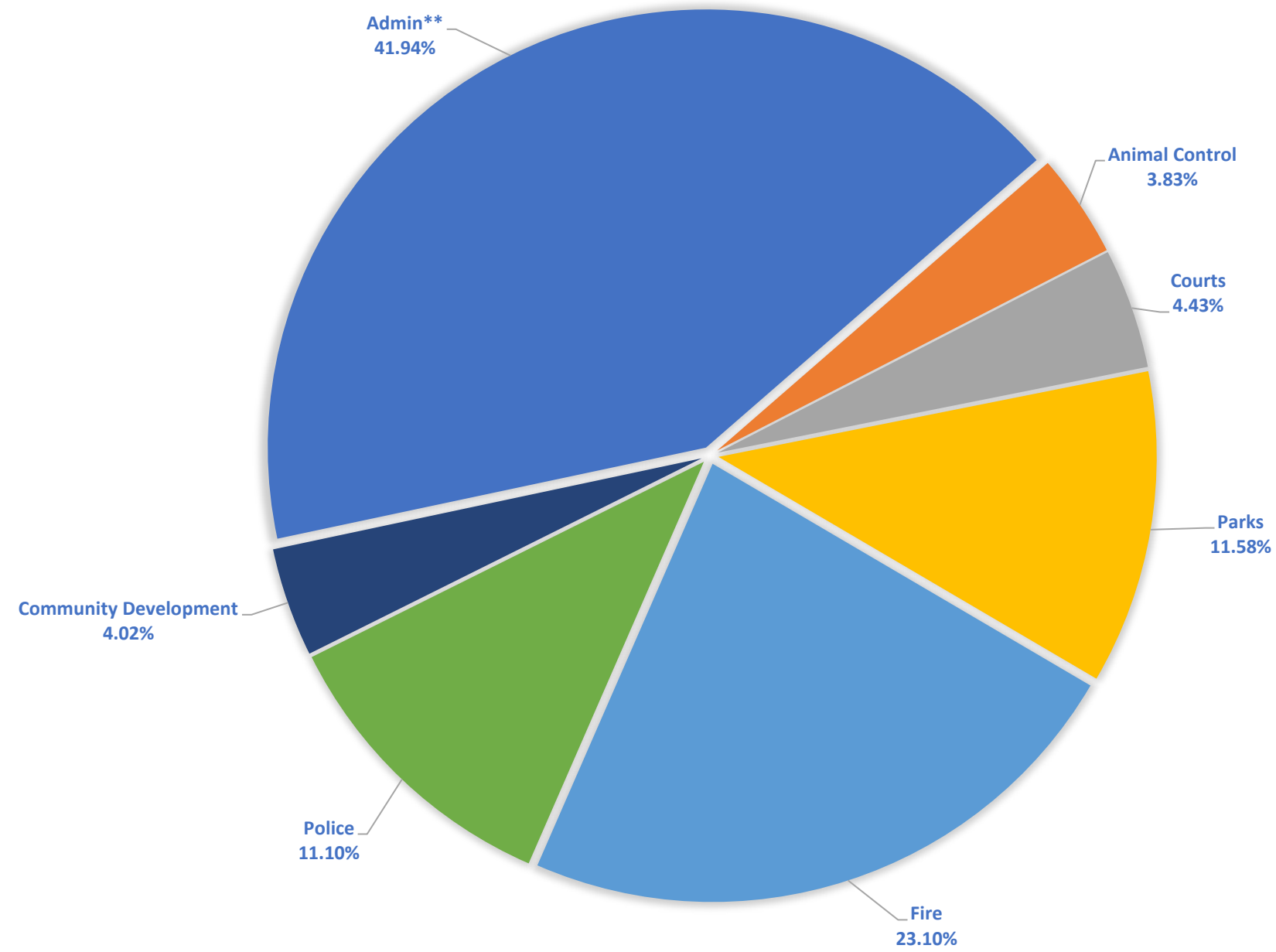


\*\*Includes transfers from Sales Tax, Designated Tax, and Franchise Fees  
 \*\*\*Includes State Turnback

001 General Fund Quarterly Revenue Review

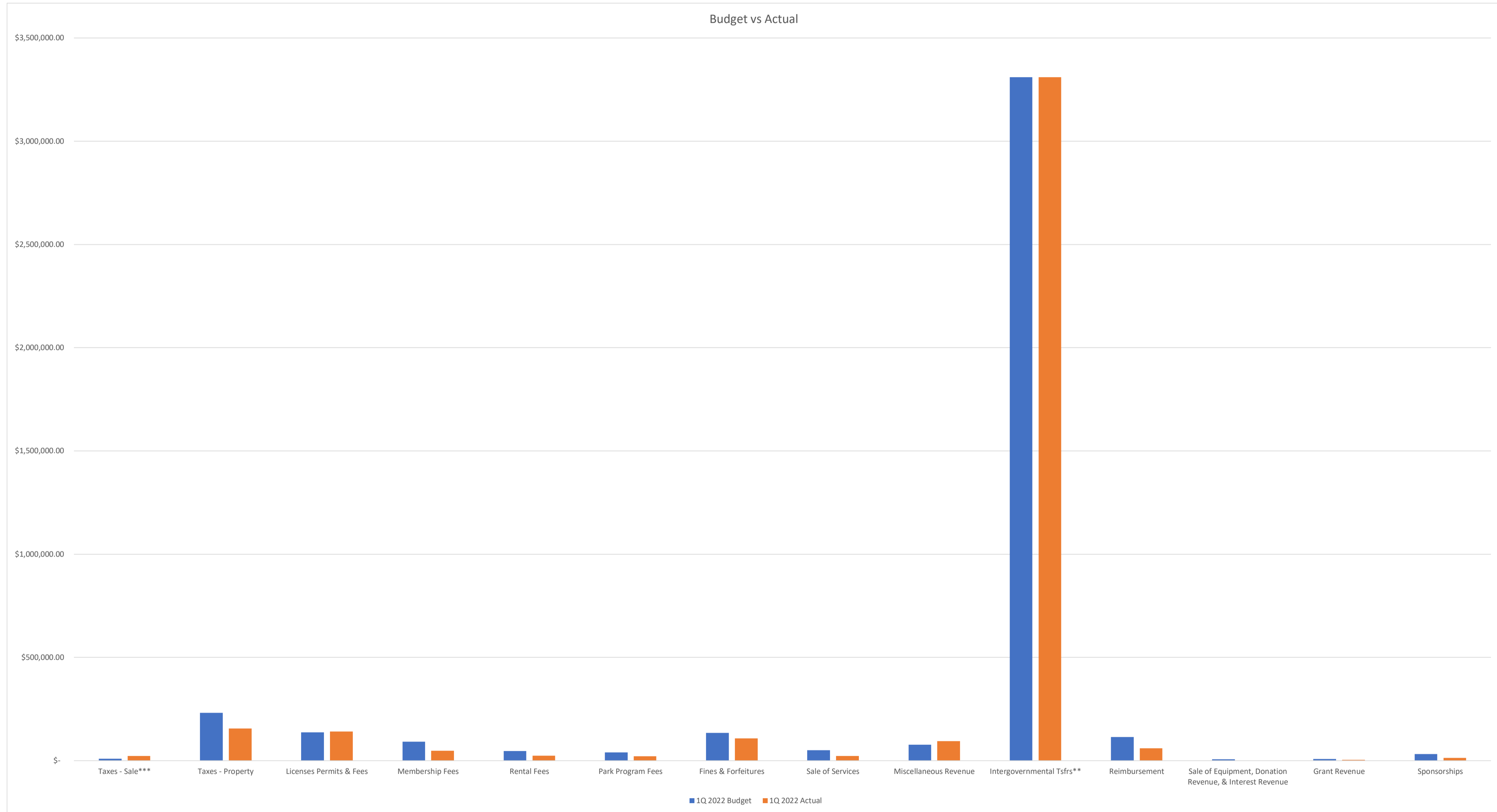
By Department						
#	Department	1Q 2021	2Q 2021	3Q 2021	4Q 2021	YTD 2021
0100	Admin**	\$ 1,689,207.52	\$ -	\$ -	\$ -	\$ -
0200	Animal Control	\$ 154,270.86	\$ -	\$ -	\$ -	\$ -
0300	Courts	\$ 178,334.85	\$ -	\$ -	\$ -	\$ -
0400	Parks	\$ 466,500.22	\$ -	\$ -	\$ -	\$ -
0500	Fire	\$ 930,408.26	\$ -	\$ -	\$ -	\$ -
0600	Police	\$ 447,009.05	\$ -	\$ -	\$ -	\$ -
0700	Community Development	\$ 161,951.59	\$ -	\$ -	\$ -	\$ -
		\$ 4,027,682.35	\$ -	\$ -	\$ -	\$ -

REVENUES BY DEPARTMENT



\*\*Admin includes HR, Finance, Engineering, and IT Departments

Budget vs Actual											
Cat.	Description	1Q 2022 Budget	1Q 2022 Actual	2Q 2022 Budget	2Q 2022 Actual	3Q 2022 Budget	3Q 2022 Actual	4Q 2022 Budget	4Q 2022 Actual	Budget YTD 2022	Actual YTD 2022
R10	Taxes - Sale***	\$ 9,500.00	\$ 22,409.88	\$ -	\$ -	\$ -	\$ -	\$ -	\$ -	\$ 9,500.00	\$ 22,409.88
R15	Taxes - Property	\$ 232,025.00	\$ 155,624.73	\$ -	\$ -	\$ -	\$ -	\$ -	\$ -	\$ 232,025.00	\$ 155,624.73
R20	Licenses Permits & Fees	\$ 137,905.00	\$ 141,419.57	\$ -	\$ -	\$ -	\$ -	\$ -	\$ -	\$ 137,905.00	\$ 141,419.57
R30	Membership Fees	\$ 92,500.00	\$ 48,321.25	\$ -	\$ -	\$ -	\$ -	\$ -	\$ -	\$ 92,500.00	\$ 48,321.25
R33	Rental Fees	\$ 46,748.75	\$ 24,590.00	\$ -	\$ -	\$ -	\$ -	\$ -	\$ -	\$ 46,748.75	\$ 24,590.00
R36	Park Program Fees	\$ 40,500.00	\$ 21,707.40	\$ -	\$ -	\$ -	\$ -	\$ -	\$ -	\$ 40,500.00	\$ 21,707.40
R40	Fines & Forfeitures	\$ 134,920.00	\$ 108,384.71	\$ -	\$ -	\$ -	\$ -	\$ -	\$ -	\$ 134,920.00	\$ 108,384.71
R50	Sale of Services	\$ 50,750.00	\$ 22,799.80	\$ -	\$ -	\$ -	\$ -	\$ -	\$ -	\$ 50,750.00	\$ 22,799.80
R60	Miscellaneous Revenue	\$ 76,942.50	\$ 95,273.64	\$ -	\$ -	\$ -	\$ -	\$ -	\$ -	\$ 76,942.50	\$ 95,273.64
R62	Intergovernmental Tsfrs**	\$ 3,309,835.00	\$ 3,309,831.99	\$ -	\$ -	\$ -	\$ -	\$ -	\$ -	\$ 3,309,835.00	\$ 3,309,831.99
R64	Reimbursement	\$ 114,500.00	\$ 60,322.32	\$ -	\$ -	\$ -	\$ -	\$ -	\$ -	\$ 114,500.00	\$ 60,322.32
R66, R68, R85	Sale of Equipment, Donation Revenue, & Interest Revenue	\$ 6,500.00	\$ -	\$ -	\$ -	\$ -	\$ -	\$ -	\$ -	\$ 6,500.00	\$ -
R70	Grant Revenue	\$ 8,425.00	\$ 3,503.85	\$ -	\$ -	\$ -	\$ -	\$ -	\$ -	\$ 8,425.00	\$ 3,503.85
R74	Sponsorships	\$ 31,875.00	\$ 13,493.21	\$ -	\$ -	\$ -	\$ -	\$ -	\$ -	\$ 31,875.00	\$ 13,493.21
		\$ 4,292,926.25	\$ 4,027,682.35	\$ -	\$ -	\$ -	\$ -	\$ -	\$ -	\$ 4,292,926.25	\$ 4,027,682.35



\*\*Includes transfers from Sales Tax, Designated Tax, and Franchise Fees  
\*\*\*Includes State Turnback

**RESOLUTION NO. 2022 \_\_\_\_\_**

**A RESOLUTION PROVIDING FOR THE ADOPTION OF AN AMENDED BUDGET FOR THE CITY OF BRYANT FOR THE TWELVE MONTH PERIOD BEGINNING JANUARY 1, 2022 AND ENDING DECEMBER 31, 2022**

**WHEREAS**, the City of Bryant, Arkansas adopted a budget for The City of Bryant on December 14, 2021, recorded as Resolution 2021-32, and

**WHEREAS**, the City of Bryant, Arkansas, desires to amend said Budget for Fiscal Year 2022 as attached.

**NOW, THEREFORE, BE IT RESOLVED BY THE CITY COUNCIL OF BRYANT, ARKANSAS THAT:**

**Section** This resolution (with attachment) shall be known as the amended budget resolution for the City of Bryant,

**1.** Arkansas, for the twelve (12) month period beginning January 1, 2022 and ending December 31, 2022.

- General Fund 444,225.60
- Street Fund (4.00)
- Utility Funds Water and WW (203,830.00)

**Section** The amended city budget for the calendar year 2022 is hereby amended and adopted to read as attached.

**2.**

**PASSED AND APPROVED this 26th day of April, 2022.**

APPROVED:

\_\_\_\_\_  
Allen E. Scott, Mayor

ATTEST:

\_\_\_\_\_  
City Attorney



	Original Budget	Proposed New Budget	Change	
FUND 001 - General Fund				
DEPT 0100 - Administration				
001-0100-5850	Interest Expense	0.00	1,400.00	1,400.00 Based off 2021 actuals
DEPT 0110 - Information Technology				
001-0110-5610	Website	20,000.00	39,000.00	19,000.00 New software
001-0110-5810	Fixed Assets - Equipment	0.00	70,000.00	70,000.00 Approved by Council in March Ord. 2022-1, Security access and fobs
DEPT 0160 - Engineering				
001-0160-5025	Worker's Comp Expense	3,600.00	4,135.00	535.00 Based off 2021 Actuals
DEPT 0400 - Parks				
001-0400-5808	Fixed Assets - Vehicles	0.00	3,500.00	3,500.00 Based off 2021 ending for Enterprise
001-0400-5810	Fixed Assets - Equipment	0.00	15,000.00	15,000.00 zero turn mower accidentally put into a non cap act
DEPT 0420 - Parks - Midland				
001-0420-5816	Fixed Assets Infrastructure	0.00	344,500.00	344,500.00 Council already approved \$50K sponsored Midland Soccer Lights two POs
DEPT 0430 - Parks - Bishop				
001-0430-4332	Equipment Rental	-80,545.00	-44,545.00	36,000.00 Reduce offset by reduction in Prof Service Aerobic based on 2021 Actuals
001-0430-4500	Concessions - Bishop	-75,000.00	-45,000.00	30,000.00 Reduce offset by reduction in 5586 based on 2021 Actuals
001-0430-5110	Utilities - Electric	220,000.00	245,000.00	25,000.00 Suggested based off 2021 ending year actuals
001-0430-5308	Supplies - Concession	60,000.00	35,000.00	-25,000.00 Suggested based off 2021 ending year actuals
001-0430-5586	Prof Services - Other	87,000.00	57,000.00	-30,000.00 Reduce offset by reduction in 4500 based on 2021 Actuals
001-0430-5587	Prof Services - Aerobic Instr	62,220.00	26,220.00	-36,000.00 Reduce offset by reduction in Equipment Rentals based on 2021 Actuals
DEPT 0500 - Fire				
001-0500-4350	Use Agreement Fees	0.00	-18,000.00	-18,000.00 New Lease Contract with Pafford to house ambulances at Fire Stations
DEPT 0600 - Police				
001-0600-5210	Service & Repair - Vehicle	50,000.00	52,590.60	2,590.60 To move payment from Municipal Vehicle Program Check # 57805, \$2590.60, posted to 001-0600-4600. Asset # 00730 Vin# 36826
001-0600-5586	Prof Services - Other	6,000.00	11,700.00	5,700.00 Increasing to cover Amend 78 Fees
<b>General Fund Totals</b>		<b>353,275.00</b>	<b>797,500.60</b>	<b>444,225.60</b>
FUND 080 - Street Fund				
DEPT 0800 - Street				
			0.00	
080-0800-4150	State Turnback	-924,000.00	-974,000.00	-50,000.00 increased based off 2021 year end actuals
080-0800-4151	Saline County Treasurer	-444,000.00	-494,000.00	-50,000.00 increase based off 2021 ending actuals
080-0800-5545	Street Paving Expense	350,004.00	300,000.00	-50,004.00 Reduction based off 2021 actuals offset against increase to 5810
080-0800-5810	Fixed Assets - Equipment	646,424.36	796,424.36	150,000.00 increase, concrete truck all to Street not split and attachments capitalized not non cap, offset in other areas
<b>Street Fund Totals</b>		<b>-371,571.64</b>	<b>-371,575.64</b>	<b>-4.00</b>
FUND 110 - Special Redemp - 2016 Bond				
110-0000-5626	Xfer to Other	0.00	375,000.00	375,000.00 based off debt discussions and prior year offset in fund 114
FUND 114 - 2016 Bond Fund				
114-0000-4623	Xfer from Other Fund	0.00	-375,000.00	-375,000.00 Based off debt discussions and prior year offset in 110 fund
<b>Govt Bond Totals</b>		<b>0.00</b>	<b>0.00</b>	<b>0.00</b>
DEPT 0900 - Water				
500-0900-4560	Sales Tax Revenue	-260,000.00	-315,000.00	-55,000.00 Offset in expense to state based off 2021 actuals
FUND 510 - Water Operating Fund				
DEPT 0900 - Water				
510-0900-5535	Sales Tax Expense	260,000.00	315,000.00	55,000.00 Offset in revenue to state based off 2021 actuals
510-0900-5821	Other Equipment	120,000.00	133,170.00	13,170.00 price increase of \$13,170 on 3500 Ram for Water
510-0900-5822	COE Degray Project	117,000.00	0.00	-117,000.00 Finance is taking bond payments directly to the balance sheet per GAAP
DEPT 0950 - Wastewater				
510-0950-5541	Outside Contractors- I & I	300,000.00	150,000.00	-150,000.00 Contract Expired reduce to cover increase in other areas
510-0950-5810	Fixed Assets - Equipment	733,000.00	783,000.00	50,000.00 Price increases, no plate instead camera for \$3K more, added \$6.2K of upgrades to the WWTP
<b>Utility Fund Totals</b>		<b>1,270,000.00</b>	<b>1,066,170.00</b>	<b>-203,830.00</b>



## LEASE AGREEMENT

This Lease is entered into this \_\_\_\_ day of April, 2022 by and between the City of Bryant, Arkansas hereinafter "Lessor," and the Bryant Historical Society, hereinafter collectively referred to as "Lessee."

**1. LEASED PREMISES:** For and in consideration of the covenants and agreements herein entered into and subject to the terms and conditions contained herein, Lessor hereby leases to Lessee, the following described property situated in the City of Bryant, Saline County, Arkansas, to wit:  
The real property commonly known as 200 SW 3rd Street, Bryant, Arkansas.

**2. TERM:** The term of this Lease shall be for ten (10) years, commencing on May 1, 2022, and ending on April 31, 2032. After the expiration of the initial term, the term shall automatically renew itself in one (1) year increments unless within sixty (60) days of the expiration of the term either party has given written notice to the other of non-renewal. Prior to any possible eviction before renewal, the Lessor shall provide the Lessee sixty (60) days notice. The lease may be terminated at any time during the term of the contract by the agreement of both parties.

**3. RENT:** Lessee hereby agrees and promises to pay to Lessor the sum of One Dollar (\$1) per year, payable on the 1st day of June 2022, and for each and every year during the continuance hereof.

**4. USE:** The leased premises will be used by Lessee for offices and a museum; said purpose is deemed to be a public purpose. Lessee will not do or permit anything to be done which will make uninsurable the leased premises or any part thereof.

**5. REPAIRS AND MAINTENANCE:** Lessee shall keep the interior and exterior of all structures, including the walls and doors, wiring, plumbing and window and door glass in good repair, and shall maintain the heating and air conditioning equipment at Lessee's expense. Lessee agrees to keep the premises clean at all times. Lessee shall not be entitled to reimbursement of any improvements from the Lessor.

**6. LAWN CARE AND MAINTENANCE:** Lessee shall be responsible for maintenance of the lawns and grounds.

**7. INSURANCE:** Lessee shall maintain insurance on the leased structure. Lessee, at its option, may also carry insurance on its contents located within the leased premises and carry general liability insurance.

**8. UTILITIES:** Lessee will be responsible for paying all utilities it uses at the leased premises.

**9. SIGNAGE:** The Lessee may place signage on and around the structure.

**10. IMPROVEMENTS:** The Lessee is entitled to make certain improvements to the facilities. All such improvements shall first be approved in writing by the Lessor and must adhere to the Heart of Bryant Overlay District Code.:

**11. BINDING EFFECT:** This Lease shall inure to the benefit of and be binding upon the parties hereto, their respective successors, legal representative, heirs and assigns.

**12. NOTICES:** Any written notices required herein shall be made as follows:  
To the Lessor:

**City of Bryant**  
Office of the Mayor

210 SW 3rd Street Bryant, Arkansas 72022

To the Lessee:

**Bryant Historical Society**

200 SW 3rd Street Bryant, Arkansas 72022

\_\_\_\_\_  
CITY OF BRYANT, ARKANSAS LESSOR

By:

\_\_\_\_\_  
BRYANT HISTORICAL SOCIETY, LESSEE

ORDINANCE NO.2022-\_\_\_\_\_

**AN ORDINANCE DEFINING AND LIMITING CONDITIONS FOR OPEN BURNING WITHIN THE CITY LIMITS OF THE CITY OF BRYANT; PROVIDING FOR ENFORCEMENT; AND FOR OTHER PURPOSES**

**WHEREAS**, the City of Bryant finds it necessary to enact an ordinance to define and limit conditions for open burning within the City of Bryant; and

**WHEREAS**, the City of Bryant is authorized to enact and enforce laws, ordinances, resolutions, rules, or regulations for the purpose of prohibiting burning in the open pursuant to Arkansas Code Annotated § 8-4-306 (b); and

**WHEREAS**, the City of Bryant has the responsibility and authority to abate fire hazards through regulatory mechanisms deemed necessary and appropriate under Arkansas Code Annotated § 8-6-1703 (d).

**THEREFORE BE IT ORDAINED, BY THE CITY COUNCIL OF THE CITY OF BRYANT, ARKANSAS THAT:**

**Section 1. Permissible Burning**

**A. ~~Vegetation~~ Yard Waste Abatement**

In accordance with Arkansas Code Annotated § 8-6-1703 (d), instances of open burning of yard waste by residents are expressly discouraged. For the purpose of open burning, “yard waste” shall be defined as grass clippings, leaves, tree limbs, and shrubbery trimmings collected by a resident or property owner from all property types recognized by the City of Bryant and located within the city limits of the City of Bryant.

1. The burning of yard waste is allowed during the following Calendar Periods:

a. ~~December 1<sup>st</sup> through March 31<sup>st</sup>. Beginning at one (1) hour before sunrise March 1 and ending at two (2) hours after sunset April 30<sup>th</sup> of each year. No burning will be allowed on weekends (defined as from 6 pm on Friday till Midnight Sunday), except on the 2nd and 4th Saturday from one (1) hour before sunrise and ending at two (2) hours after sunset; and~~

b. ~~During the period beginning at one (1) hour before sunrise October 1 and ending at two (2) hours after sunset November 30<sup>th</sup> of each year. No burning on weekends (defined as from 6 pm on Friday till Midnight Sunday), except on the 2nd and 4th Saturday from one (1) hour before sunrise on and ending at two (2) hours after sunset.~~

~~e. — The Bryant Fire Chief or designee may declare certain periods of time within the Calendar Periods listed above as “Smoke Free Periods” under the following circumstances;~~

~~d. — Within a one-half mile radius of an outdoor public event including, but not limited to, authorized Parades, outdoor public sporting events, outdoor public gatherings such as Fall Fest, concerts, or other outdoor public assemblies including religious, civic, and community events. The intent of this provision is to protect outdoor public gatherings from the nuisance of lingering or low lying smoke coming from yard waste fires occurring within ½ mile of the outdoor public event.~~

~~e. — When an identified outdoor public event is scheduled to occur during the Calendar Period, through either permitting with the City Parks Department, Police Department, or Code Enforcement, the Fire Chief or his designee may declare a Smoke Free Period for the duration of that scheduled event and within the ½ mile radius surrounding that event. When an event is scheduled, and a determination is made to make the surrounding area “Smoke Free,” the Fire Chief shall take reasonable steps to provide 48 hours advance notice on the City of Bryant website and through Notify Me.~~

~~f. — In the event of a yard waste fire occurring during the Calendar Period within a ½ mile radius of an outdoor public event, and the smoke from that yard waste fire lingers or remains low lying within the immediate area of the outdoor public event, then the Fire Chief or his designee may require the extinguishment of any yard waste fire for the remainder of the outdoor event so affected by the low lying or lingering smoke.~~

2. Open burning of residential yard waste shall not be allowed unless the following conditions are met;

a. Yard waste materials to be burned located on parcels of less than one (1) acre shall be placed in a pile no larger than five feet in diameter and two feet in height. Pile(s) shall be no less than 10 feet from any structure or property line. No more than two piles may be burned at any given time by an individual resident or property owner. On parcels of more than 1 acre, the number of piles will not be restricted.

~~Yard waste materials to be burned located on parcels of more than one (1) acre shall be placed in a pile no larger than six feet in diameter and three feet in height. The number of piles to be burned will not be restricted but must adhere to conditions d, e, and f.~~

~~Land Parcels of 2 acres or more are exempt from the prescribed Calendar Periods and pile size restrictions of Article 3.b. Although these parcels may burn year-round, they must comply with conditions of Section 1(A)(3), articles d, e, and f of this Ordinance.~~

~~a. — Burning must be at least twenty feet from any structure, any material composed in whole or part of combustible or flammable material, any property line, or utility lines or facilities.~~

b. The fire must be attended at all times. The person attending the fire must have an adequate water supply ~~charged hose (i.e., the hose must be connected to a working faucet and the water must be on and pressurized within the hose) and/or sufficient water supply~~ or other suitable means available to completely extinguish the fire ~~in the event that fire spread happens to occur.~~

c. Burning shall ~~not commence until one (1) hour before sunrise and shall be completely extinguished by two (2) hours after sunset.~~

d. For purposes of determining Land Parcel size, the Bryant Fire Chief or his designee shall use the Saline County Parcel Records accessible through [www.efsedge.com/saline](http://www.efsedge.com/saline).

**B. Burn Bans may be issued under the following circumstances.**

- a. Atmospheric conditions that prevent smoke from rising freely.
  - b. When excessively dry conditions exist.
  - c. Sustained winds greater than fifteen (15) mph ~~or 13.0 Knots as measured by Saline County Automated Weather Observation System (AWOS) available at phone number 501-847-3883.~~
  - d. Frequent peak wind gusts greater than twenty-five (25) mph ~~or 21.7 Knots as measured by Saline County Automated Weather Observation System (AWOS) available at phone number 501-847-3883.~~
1. Burn Bans may be issued by:
    - a. Governor
    - b. County Judge
    - c. Bryant Fire Chief or designee

**C. ~~Development, Construction or Site Improvement Burning~~**

Open burning of trees, limbs, or vegetation removed during the process of ~~site preparation for construction or~~ site improvement shall not be allowed unless the following conditions are met:

~~a. The burning is to occur at least 20 feet from all property lines encompassing the parcel.~~

b. All surface vegetation must be removed ~~from all surface areas~~ adjacent to the burning materials for a distance of no less than 20 feet in all directions.

c. Approved materials to be burned ~~may~~ shall be placed in a pile(s) no larger than ~~20~~ 25 feet in diameter and 10 feet in height. No more than one pile per acre on the site may be burned at any given time ~~by an individual resident, property owner, contractor, or developer up to 10 acres.~~ For sites over 10 acres, the number and arrangement of piles must be approved by the a Fire Chief or his designee Department representative.

~~d. The fire must be checked periodically by a responsible person. The person tending the fire must have sufficient extinguishment equipment shall be on site (tractor with a blade, water truck, dozer, etc.) and available to completely extinguish/contain the fire in the event that fire spread occurs. Periodically means that a responsible person is sufficiently present to prevent the spread of the controlled fire allowed by this subsection. If the fire spreads outside the area of identified and made available for burning under this subsection, then it is prima facie evidence that the fire was not being checked periodically, and the landowner, contractor, and/or resident are subject to Sections 2 and 3 of this Ordinance.~~

e. The parcel of real estate must be at least ~~no less than five (5)~~ two (2) acres in size.

f. The burning is to occur at least 100 feet from all property lines encompassing the parcel. ~~This distance will be 200 feet for parcels over 10 acres.~~

~~g. A device must be used to expedite and assist burning, such as a trench burner, air destructor, burn fan, etc., for all burning.~~

h. Notification must be given to the Bryant Fire Department at least twenty-four hours prior to the intended burning of said trees, limbs, or vegetation, by notifying the City of Bryant Public Safety Dispatch at 501-943-08654.

i. A Commercial Burning Permit must be obtained prior to burning from the City of Bryant Code Enforcement office. The permit will be good for a ~~45~~ 30 calendar day period, and the fee will be \$150.

#### **D. Agricultural Burning**

~~Open burning in the course of agricultural operations (farming) shall not be allowed unless the following conditions are met:~~

~~a. The perimeter of the parcel to be burned is tilled, disked, or plowed in order to remove vegetation from the ground surface. Vegetation removal must be no less than 10 feet in width.~~

~~b. The fire must be attended at all times.~~

~~c. Burning shall not commence before sunrise and shall not extend beyond sunset.~~

## E. Other Allowed Burning

The following types of burning activities are permitted according to the circumstances listed herein:

- a. ~~Fires of a controlled and manageable nature that are used in the course of food preparation that incorporates the use of barbecue equipment, outdoor fireplaces, cooking grills, or cooking pits specifically designed and created for the preparation of food.~~
- b. ~~Burning associated with road construction or right-of-way clearing operations. Any road construction or right-of-way clearing type of burning, the contractor or property owner must give notice to the Bryant Fire Department. Notification must be given to the Bryant Fire Department at least twenty-four hours prior to the intended burning of said trees, limbs, or vegetation, by notifying the City of Bryant Public Safety Dispatch at 501-943-0865.~~
- c. Fires allowed by the Bryant Fire Department for the purpose of weed abatement, prevention and/or elimination of fire hazards, and burning of storm debris following a disaster (City, County, State, Federal), as declared by an appropriate governmental authority, with burning of such debris at the sole discretion of the Fire Chief or his designee depending on weather, safety, and environmental concerns.
- d. Instruction of fire department employees in methods of firefighting or for ~~civil defense instruction~~, and under the direct supervision of the Bryant Fire Department or authorized fire training instructor.
- e. Fires that are associated with ceremonial (bonfire) or recreational purposes (Grills, Smokers, fireplaces, fire rings, or fire pits) ~~purposes~~.
  1. The location of ceremonial fires shall be a minimum of 50 feet from a structure ~~or combustible material~~. Approved materials to be burned shall be placed in a pile no larger than 15 feet in diameter and 10 feet in height. ~~No more than one pile may be burned at any given time by an individual resident or property owner.~~ Only the burning of dry and seasoned wood is permitted. The Bryant Fire Department shall inspect and approve the burn site. No permit is required.
  2. The location of recreational fires shall be a minimum of ~~15~~ 10 feet from a structure ~~or combustible material~~. Approved materials to be burned shall be placed in a pile no larger than three feet in diameter and two feet in height. Only the burning of dry and seasoned wood is permitted. No permit is required.

## **Section 2. Prohibited Acts of Burning**

The following open burning practices shall be prohibited within the corporate boundaries of the City of Bryant, Arkansas;

- a. Open burning of trash, garbage, and/or rubbish by any resident or business for the purpose of incineration.
- b. Open burning of construction waste of any kind on the premises of a construction site. Small warming fires are allowed in an approved container utilizing dry and seasoned wood only.
- c. Open burning of materials resulting from remodeling, dismantling, and/or demolition of structures or buildings.
- d. Open burning of trees, limbs, and vegetation clippings generated by, or resulting from, commercial activities or establishments that provide lawn maintenance and/or grounds care services through the course of normal business activities.
- e. Open burning in any right-of-way (ditches, alleys, street, etc.)
- f. Any burning activity when an appropriate governmental agency or executive institutes a burn ban as listed above.
- g. Any burning that is in violation of the requirements listed within this Ordinance.

## **Section 3. Violations and Enforcement**

- a. An offender shall be issued a warning citation for the first violation of any provision of this ordinance unless circumstances warrant more severe enforcement action as determined by the City of Bryant Fire Chief or City of Bryant Police Chief.
- b. Any person convicted of a second violation of a provision of the Ordinance shall be fined the sum of one hundred dollars (\$100.00) plus court cost.
- c. Any person convicted of a third violation of a provision of this Ordinance within a five (5) year period shall be fined the sum of two hundred fifty dollars (\$250.00) plus court cost, and be ineligible to conduct any open burning of any type within the city boundaries of Bryant. Citations may be issued by the Bryant Police Department or authorized Fire Department personnel, who have law enforcement authority.

## **Section 4. Repealer Clause**

All ordinances or resolutions or any parts thereof in conflict with the hereinabove are repealed to the extent of the conflict.

## **Section 5. Severability Clause**

If any provision of this ordinance or the application thereof to any person or circumstance is held invalid, such invalidity shall not affect other provisions or applications of the ordinance which can be given effect without the invalid provision or application, and to this end, the provisions of this ordinance are declared to be severable.



**PASSED AND APPROVED** this the \_\_\_\_\_ day of \_\_\_\_\_, 20\_\_\_\_\_.

---

**Allen Scott, Mayor**

**ATTEST:**

---

**Sue Ashcraft, City Clerk**

# 2022 City of Bryant Inventory and Acquisition Manager - PW Job Description

**Exempt:** No  
**Department:** Public Works  
**Reports To:** Public Works Director  
**Location:**  
**Date Prepared:** November 05, 2009  
**Date Revised:** March 10, 2022  
**Safety Sensitive:** No

## GENERAL DESCRIPTION OF POSITION

The Public Works Inventory and Acquisition Manager is responsible for solicitation of bids for materials, equipment and services; maintaining a high level of inventory accuracy and integrity within the facility. This role will serve to maximize space utilization; will also monitor inventory levels and product movement and maintain defined minimum and maximum quantities on hand. The Inventory and Acquisition Manager will also be responsible for ensuring efficient order fulfillment as well as contributing to a safe and orderly working environment. The incumbent is responsible for completing reports that are essential to properly managing inventory. Incumbent must also balance inventory with reports to the ledger and control totals, and monitor discrepancies or problems with deliveries. Must work with other department managers for development of performance specifications for successful bidding.

## ESSENTIAL DUTIES AND RESPONSIBILITIES

1. Prepare reconciliation reports.
2. Maintain product identification and location program.
3. Manage facility inventory.
4. Manage the Public Works ordering and purchasing procedures.
5. Create and send purchasing orders.
6. Monitor purchases through the delivery process.
7. Monitor and control inventory integrity.
8. Research inventory discrepancies and make necessary corrections.
9. Oversee physical inventories/cycle counts/random or receipt audits/reconciliations.
10. Resolve inventory problems in a timely manner.
11. Document and control aged & damaged product.
12. Ensure all labeling requirements are met in a timely manner.

13. Maintain Inventory Accuracy Metrics and associated reports for management.
14. Develop and write performance specifications.
15. Perform any other related duties as required or assigned.

### **QUALIFICATIONS**

To perform this job successfully, an individual must be able to perform each essential duty mentioned satisfactorily. The requirements listed below are representative of the knowledge, skill, and/or ability required.

### **EDUCATION AND EXPERIENCE**

Knowledge of a specialized field (however acquired), such as basic accounting, computer, etc. Equivalent of four years in high school, plus night, trade extension, or correspondence school specialized training, equal to two years of college, plus 4 years related experience and/or training, and 19 to 23 months related management experience, or equivalent combination of education and experience.

### **COMMUNICATION SKILLS**

Ability to write reports, business correspondence, and policy/procedure manuals; ability to effectively present information and respond to questions from groups of managers, clients, customers, and the general public.

### **MATHEMATICAL SKILLS**

Ability to calculate figures and amounts such as discounts, interest, commissions, proportions, percentages, area, circumference, and volume. Ability to apply concepts such as fractions, ratios, and proportions to practical situations.

### **CRITICAL THINKING SKILLS**

Ability to solve practical problems and deal with a variety of known variables in situations where only limited standardization exists. Ability to interpret a variety of instructions furnished in written, oral, or diagram formats.

### **REQUIRED CERTIFICATES, LICENSES, REGISTRATIONS**

Arkansas Drivers License  
Proficient in Microsoft Excel  
2 years of similar purchasing experience

### **PREFERRED CERTIFICATES, LICENSES, REGISTRATIONS**

Microsoft Office  
Familiar with Public Works construction projects, equipment and materials

### **SOFTWARE SKILLS REQUIRED**

Mastery: Spreadsheet  
Advanced: Alphanumeric Data Entry  
Intermediate: 10-Key, Accounting, Contact Management, Database, Presentation/PowerPoint, Word Processing/Typing  
Basic: Payroll Systems

### **INITIATIVE AND INGENUITY SUPERVISION RECEIVED**

Under direction where a definite objective is set up and the employee plans and arranges own work, referring only unusual cases to supervisor.

### **PLANNING**

Considerable responsibility with regard to general assignments in planning time, method, manner, and/or sequence of performance of own work; may also occasionally assist in the planning of work assignments performed by others within a limited area of operation.

### **DECISION MAKING**

Performs work operations which permit frequent opportunity for decision-making of minor importance and also frequent opportunity for decision-making of major importance, either of which would affect the work operations of small organizational component and the organization's clientele.

### **MENTAL DEMAND**

Close mental demand. Operations requiring close and continuous attention for control of operations. Operations requiring intermittent direct thinking to determine or select the most applicable way of handling situations regarding the organization's administration and operations; also to determine or select material and equipment where highly variable sequences are involved.

### **ANALYTICAL ABILITY / PROBLEM SOLVING**

Directed. Supervisory and/or professional skills using structured practices or policies and directed as to execution and review. Interpolation of learned things in moderately varied situations where reasoning and decision-making are essential.

### **RESPONSIBILITY FOR WORK OF OTHERS**

Responsibility for work of others: Not indicated.

### **RESPONSIBILITY FOR FUNDS, PROPERTY and EQUIPMENT**

Occasionally responsible for organization's property where carelessness, error, or misappropriation would result in moderate damage or moderate monetary loss to the organization. The total value for the above would range from \$150,000 to \$1,000,000.

### **ACCURACY**

Probable errors would normally not be detected in succeeding operations and could possibly affect organization-patron relationship, involve re-work, or additional expenditures in order to properly resolve the error. The possibility of such errors would occur quite frequently in performance of the job. May also cause inaccuracies or incomplete information that would be used in other segments of the organization as a basis for making subsequent decisions, plans, or actions.

### **ACCOUNTABILITY**

#### **FREEDOM TO ACT**

Generally controlled. General processes covered by established policies and standards with supervisory oversight.

#### **ANNUAL MONETARY IMPACT**

The amount of annual dollars generated based on the job's essential duties / responsibilities. Examples would include direct dollar generation, departmental budget, proper handling of organization funds, expense control, savings from new techniques or reduction in manpower.

Small. Job creates a monetary impact for the organization from \$100,000 to \$1mm.

## **IMPACT ON END RESULTS**

Moderate impact. Job has a definite impact on the organization's end results. Participates with others in taking action for a department and/or total organization.

## **PUBLIC CONTACT**

Regular contacts with patrons, either within the office or in the field. May also involve occasional self-initiated contacts to patrons. Lack of tact and judgment may result in a limited type of problem for the organization.

## **EMPLOYEE CONTACT**

Contacts of considerable importance within the department or office, such as those required in coordination of effort, or frequent contacts with other departments or offices, generally in normal course of performing duties. Requires tact in discussing problems and presenting data and making recommendations, but responsibility for action and decision reverts to others.

## **USE OF MACHINES, EQUIPMENT AND/OR COMPUTERS**

Regular personal computer support, technical help, and/or basic software support, database analysis, level I technician, project coordination, installation and help desk.

## **WORKING CONDITIONS**

Somewhat disagreeable working conditions. Continuously exposed to one or two elements such as noise, intermittent standing, walking, pushing, carrying, or lifting. May involve some travel and/or work is at times, in the evening or during the night hours.

## **ENVIRONMENTAL CONDITIONS**

The following work environment characteristics described here are representative of those an employee encounters while performing essential functions of this job. Reasonable accommodations may be made to enable individuals with disabilities to perform the essential functions.

While performing the functions of this job, the employee is frequently exposed to toxic or caustic chemicals; and occasionally exposed to work near moving mechanical parts, work in high, precarious places, fumes or airborne particles, outdoor weather conditions, wet or humid conditions, extreme cold, risk of electrical shock. The noise level in the work environment is usually moderate.

## **PHYSICAL ACTIVITIES**

The following physical activities described here are representative of those that must be met by an employee to successfully perform the essential functions of this job. Reasonable accommodations may be made to enable individuals with disabilities to perform the essential functions and expectations.

Moderate diversity, moderately physical. Work activities which allow for a moderate amount of diversity in the performance of tasks which requires somewhat diversified physical demands of the employee.

While performing the functions of this job, the employee is continuously required to talk or hear; regularly required to stand, walk, sit, use hands to finger, handle, or feel; frequently required to reach with hands and arms, climb or balance, stoop, kneel, crouch, or crawl. The employee must occasionally lift and/or move up to 100 pounds; frequently lift and/or move up to 25 pounds; regularly lift and/or move up to 10 pounds. Specific vision abilities required by this job include close vision; distance vision; color vision; peripheral vision; and depth perception.

## **ADDITIONAL INFORMATION**

Ability to utilize both internal and external resources to obtain information and data necessary to carry

out routine assignments and special projects. Must have ability to establish and maintain effective working relationships with management and staff.

**JOB DESCRIPTION ACKNOWLEDGEMENT**

I acknowledge that I have read the Job Description for this position and understand the requirements, responsibilities, and duties therein. I have reviewed this Job Description with my supervisor and can perform the essential functions of the position. I have discussed any questions I may have had about this Job Description prior to signing this form.

Printed Employee Name \_\_\_\_\_

Employee Signature \_\_\_\_\_

Date: \_\_\_\_\_

Supervisor Signature \_\_\_\_\_

Date: \_\_\_\_\_

**RESOLUTION NO. 2022 - \_\_\_\_\_**

**RESOLUTION REGARDING AN UPDATED POSITION DESCRIPTION AND  
COMPENSATION PLAN FOR A PUBLIC WORKS INVENTORY AND ACQUISITION  
MANAGER FOR THE CITY OF BRYANT**

**WHEREAS**, The City Council of the City of Bryant desires to adopt the position description and compensation plan for said position;

**NOW THEREFORE, BE IT RESOLVED BY THE CITY COUNCIL OF THE CITY OF BRYANT, ARKANSAS THAT:**

**Section 1.** The City Council of the City of Bryant hereby adopts the attached position description for the position of Inventory and Acquisition Manager.

**Section 2.** The salary range for the Inventory and Acquisition Manager position shall fall within the range suggested by the most recently adopted JESAP study. The current JESAP study suggests the following updated salary range for the position:

Minimum	Midpoint	Maximum
\$41,449	\$51,811	\$62,173

**PASSED AND APPROVED** this \_\_\_\_\_ day of \_\_\_\_\_, 2022.

**APPROVED:**

\_\_\_\_\_  
Allen E. Scott, Mayor

**ATTEST:**

\_\_\_\_\_  
Mark Smith, City Clerk

**RESOLUTION NO. 2022 - \_\_\_\_\_**

**RESOLUTION REGARDING A NEW POSITION DESCRIPTION AND  
COMPENSATION PLAN FOR A WATER FIELD SUPERVISOR FOR THE CITY OF  
BRYANT**

**WHEREAS**, The City Council of the City of Bryant desires to adopt the position description and compensation plan for said position;

**NOW THEREFORE, BE IT RESOLVED BY THE CITY COUNCIL OF THE CITY OF  
BRYANT, ARKANSAS THAT:**

**Section 1.** The City Council of the City of Bryant hereby adopts the attached position description for the position of Water Field Supervisor.

**Section 2.** The salary range for the Water Field Supervisor position shall fall within the range suggested by the most recently adopted JESAP study. The current JESAP study suggests the following updated salary range for the position:

Minimum	Midpoint	Maximum
\$54,978	\$68,722	\$82,467

**PASSED AND APPROVED** this \_\_\_\_\_ day of \_\_\_\_\_, 2022.

**APPROVED:**

\_\_\_\_\_  
Allen E. Scott, Mayor

**ATTEST:**

\_\_\_\_\_  
Mark Smith, City Clerk



# 2022 City of Bryant Water Field Supervisor - proposed 2022 Job Description

**Job Code:** 8000  
**Exempt:** No  
**Department:** Water Distribution  
**Reports To:** Water Superintendent  
**Location:** Wastewater Department  
**Date Prepared:** March 08, 2012  
**Date Revised:** March 14, 2022  
**Safety Sensitive:** This position is designated as safety/security sensitive and is subject to pre-employment, reasonable suspicion and random drug and alcohol screening.

## GENERAL DESCRIPTION OF POSITION

Responsible for installation, maintenance, repair, expansion, replacement and relocation of water distribution system in the field. Maintain accurate records and reports on a daily basis. Other duties may be assigned

## ESSENTIAL DUTIES AND RESPONSIBILITIES

1. Assists in planning methods and sequences of operations to facilitate additions, deletions and replacements/modifications to the water distribution.
2. Directs the activities of a small team of personnel within the water distribution team who oversee installation, maintenance, and repair.
3. Works closely with Water Superintendent to schedule work and coordinate projects.
4. Investigates any illegal use of services.
5. Provides assistance to Water Superintendent in managing special projects related to water distribution (new businesses, subdivisions, schools, and apartment complexes), upgrades to transmission lines.
6. Performs operations of heavy equipment such as backhoes, excavator, dump trucks, bulldozer, skid steer and associated attachments etc. as needed.
7. Obtains additional equipment and materials needed to complete water distribution system.
8. Provides technical assistance with other City departments (Fire, Parks, Street) on matters pertaining to water standards and maintenance and ensure compliance with Federal, State, and Local standards.
9. Verifies location of various systems in the City's water distribution infrastructure for future mapping, repair and maintenance requirements.
10. Regular and punctual attendance.
11. Ability to work overtime.
12. Operate specialized equipment for water distribution system.

13. Perform any other related duties as required or assigned.

## **QUALIFICATIONS**

To perform this job successfully, an individual must be able to perform each essential duty mentioned satisfactorily. The requirements listed below are representative of the knowledge, skill, and/or ability required.

## **EDUCATION AND EXPERIENCE**

Broad knowledge of such fields as accounting, marketing, business administration, finance, etc. Equivalent to a four year college degree, plus 6 years related experience and/or training, and 5 years related management experience, or equivalent combination of education and experience.

## **COMMUNICATION SKILLS**

Ability to effectively communicate information and respond to questions in person-to-person and small group situations with customers, clients, general public and other employees of the organization. ability to read, analyze, and understand general business/company related articles and professional journals; ability to speak effectively before groups of customers or employees. ability to write reports, business correspondence, and policy/procedure manuals; ability to effectively present information and respond to questions from groups of managers, clients, customers, and the general public.

## **MATHEMATICAL SKILLS**

Ability to work with mathematical concepts such as probability and statistical inference, and fundamentals of plane, algebra, solid geometry and trigonometry.

## **CRITICAL THINKING SKILLS**

Ability to solve practical problems and deal with a variety of known variables in situations where only limited standardization exists. Ability to interpret a variety of instructions furnished in written, oral, or diagram formats.

## **REQUIRED CERTIFICATES, LICENSES, REGISTRATIONS**

Required to obtain Water Distribution 1 license as directed by the department head. Valid Class B CDL drivers license recognized by the State of Arkansas

## **PREFERRED CERTIFICATES, LICENSES, REGISTRATIONS**

Class A CDL

Knowledge in and ability to operate specialized water equipment such as "mole machine" and fittings.

## **SOFTWARE SKILLS REQUIRED**

Intermediate: Database, Spreadsheet

Basic: 10-Key, Accounting, Alphanumeric Data Entry, Contact Management, Human Resources Systems, Payroll Systems, Presentation/PowerPoint, Word Processing/Typing

## **INITIATIVE AND INGENUITY**

### **SUPERVISION RECEIVED**

Under direction where a definite objective is set up and the employee plans and arranges own work, referring only unusual cases to supervisor.

### **PLANNING**

Considerable responsibility with regard to general assignments in planning time, method, manner, and/or sequence of performance of own work, in addition, the work operations of a group of

employees, all performing basically the same type of work.

### **DECISION MAKING**

Performs work operations which permit frequent opportunity for decision-making of major importance which would have considerable effect on the final attainment of multiple major activities and the organization's projects of a large organization component and organization's clientele.

### **MENTAL DEMAND**

Intense mental demand. Operations requiring sustained directed thinking to analyze, solve, or plan highly variable, administrative, professional, or technical tasks involving complex problems or mechanisms.

### **ANALYTICAL ABILITY / PROBLEM SOLVING**

Moderately directed. Activities covered by wide-ranging policies and courses of action, and generally directed as to execution and review. High order of analytical, interpretative, and/or constructive thinking in varied situations.

### **RESPONSIBILITY FOR WORK OF OTHERS**

Carries out supervisory responsibilities in accordance with the organization's policies and applicable laws. Responsibilities may include but not limited to interviewing, hiring and training employees; planning, assigning and directing work; appraising performance, rewarding and disciplining employees; addressing complaints and resolving problems.

Supervises a small group (3-7) of employees, usually of lower classifications. Assigns and checks work; assists and instructs as required and performs same work as those supervised, or closely related work, a portion of the time. Content of the work supervised is of non-technical nature, but presents numerous situations to which policies and precedents must be interpreted and applied.

Supervises the following departments:

### **RESPONSIBILITY FOR FUNDS, PROPERTY and EQUIPMENT**

Regularly responsible for funds, building premises, inventory, or other property owned, controlled, or leased by the organization and, in addition, may have temporary custody and responsibility of patron property, which through carelessness, error, loss, theft, misappropriation, or similar action would result in very important monetary losses to the organization. The total value for the above would range from \$1,000,000 to \$10,000,000.

### **ACCURACY**

Probable errors would normally not be detected in succeeding operations and could possibly affect organization-patron relationship, involve re-work, or additional expenditures in order to properly resolve the error. The possibility of such errors would occur quite frequently in performance of the job. May also cause inaccuracies or incomplete information that would be used in other segments of the organization as a basis for making subsequent decisions, plans, or actions.

### **ACCOUNTABILITY**

#### **FREEDOM TO ACT**

Moderately directed. Freedom to act is given by upper level management guided by general policies and objectives that are reviewed by top management.

### **ANNUAL MONETARY IMPACT**

The amount of annual dollars generated based on the job's essential duties / responsibilities. Examples would include direct dollar generation, departmental budget, proper handling of organization funds, expense control, savings from new techniques or reduction in manpower.

Medium. Job creates a monetary impact for the organization from \$1mm to \$10mm.

### **IMPACT ON END RESULTS**

Major impact. Job has a considerable impact on the organization's end results. A high level of accountability to generate, manage, and/or control funds within a department and/or total organization.

### **PUBLIC CONTACT**

Regular contacts with patrons, either within the office or in the field. May also involve occasional self-initiated contacts to patrons. Lack of tact and judgment may result in a limited type of problem for the organization.

### **EMPLOYEE CONTACT**

Continuous contacts frequently involving difficult negotiations which require a well-developed sense of strategy and timing. Involves contacts with senior level internal officials.

### **USE OF MACHINES, EQUIPMENT AND/OR COMPUTERS**

Regular use of highly complex machines and equipment; specialized or advanced software programs.

### **WORKING CONDITIONS**

Outside or inside working environment, wherein there are potential hazardous working conditions and life-threatening situations exist (fire, chemicals, electrical sources, heights, dangerous people, etc.) part of the time.

### **ENVIRONMENTAL CONDITIONS**

The following work environment characteristics described here are representative of those an employee encounters while performing essential functions of this job. Reasonable accommodations may be made to enable individuals with disabilities to perform the essential functions.

While performing the functions of this job, the employee is regularly exposed to work near moving mechanical parts, toxic or caustic chemicals, outdoor weather conditions, vibration; frequently exposed to fumes or airborne particles, wet or humid conditions, extreme heat; and occasionally exposed to work in high, precarious places, risk of electrical shock. The noise level in the work environment is usually very loud.

### **PHYSICAL ACTIVITIES**

The following physical activities described here are representative of those that must be met by an employee to successfully perform the essential functions of this job. Reasonable accommodations may be made to enable individuals with disabilities to perform the essential functions and expectations.

Moderate diversity, moderately physical. Work activities which allow for a moderate amount of diversity in the performance of tasks which requires somewhat diversified physical demands of the employee.

While performing the functions of this job, the employee is regularly required to stand, walk, sit, use hands to finger, handle, or feel, reach with hands and arms, climb or balance, stoop, kneel, crouch, or crawl, talk or hear, taste or s. The employee must occasionally lift and/or move more than 100 pounds;

regularly lift and/or move up to 100 pounds. Specific vision abilities required by this job include close vision; distance vision; color vision; peripheral vision; depth perception; and ability to adjust focus.

**ADDITIONAL INFORMATION**

Not indicated.

**JOB DESCRIPTION ACKNOWLEDGEMENT**

I acknowledge that I have read the Job Description for this position and understand the requirements, responsibilities, and duties therein. I have reviewed this Job Description with my supervisor and can perform the essential functions of the position. I have discussed any questions I may have had about this Job Description prior to signing this form.

Printed Employee Name \_\_\_\_\_

Employee Signature \_\_\_\_\_

Date: \_\_\_\_\_

Supervisor Signature \_\_\_\_\_

Date: \_\_\_\_\_

**AN ORDINANCE TO WAIVE THE COMPETITIVE BIDDING PROCESS FOR ROAD BORE AND PIPING SERVICES TO RECONNECT WATER MAIN AT HILL FARM AND REYNOLDS (H183) ROADS**

**WHEREAS**, the City of Bryant has an immediate need for the rerouting water main at Reynolds and Hill Farm Roads, and

**WHEREAS**, time is of the essence to return a water main to previous operating conditions and it is not feasible or practical to advertise for bids at this time, and

**WHEREAS**, proposals were received from three different companies ranging from \$118,761 to \$187,770 and

**WHEREAS**, J.R. Fox Inc gave the lowest proposal and has provided previously favorable services to the city and are prepared to mobilize immediately,

**NOW, THEREFORE, BE IT ORDAINED BY THE CITY COUNCIL OF THE CITY OF BRYANT, SALINE COUNTY, ARKANSAS:**

**Section 1.** Pursuant to Arkansas Code Annotated Section 14-58-303, the City of Bryant City Council makes the finding that exceptional circumstances exist and the bidding process is hereby deemed not feasible or practical.

**Section 2.** The City Council waives competitive bidding relating to rerouting a water main to Hill Farm road under Reynolds (H183) Road. The City of Bryant City Council has determined that it is necessary to waive competitive bidding. The Mayor is authorized to execute all contracts necessary to complete the project. The total estimated cost of the project, including estimated cost of the project, including taxes and insurance is \$118,761.00.

**Section 3.** . The Mayor is authorized to execute all contracts necessary to complete the project. The total estimated cost of the project, including estimated cost of the project, including taxes and insurance is \$118,761.00.

**Section 4.** The Mayor is authorized to execute all contracts to secure the contracted services to the amount contained in this ordinance. The Contract is with JR Fox Inc, P.O. Box 7382, Little Rock, AR 72217. In addition, the Mayor and the City Attorney are authorized to finalize all negotiations relating to execute the contract.

**Section 5.** If, for any reason, any portion of this ordinance is held to be invalid, such invalidity shall in no way affect the remaining portions thereof, which are valid, but such valid portions shall be and remain in full force and effect.

**Section 6.** All ordinances or parts of ordinances in conflict herewith are hereby repealed.

**Section 7. Emergency Enactment:** Whereas this is an exceptional situation and the immediate need to return the water main infrastructure to previous operating conditions and to facilitate the work of the Personnel the City of Bryant and Citizens of the City of Bryant, Saline County, Arkansas, an Emergency is Declared; and this Ordinance shall be effective from and after its date of passage.

**PASSED AND APPROVED this \_\_\_\_\_ day of April, 2022**

\_\_\_\_\_  
Allen E. Scott, Mayor

ATTEST:

\_\_\_\_\_  
Mark Smith, City Clerk

DOCUMENT 004000

BID FORM

Date: 3/30/2022

PROPOSAL of J.R. Fox Company, Inc.

(hereinafter called "Bidder"), organized and existing under the laws of the State of Arkansas,

Doing business as \*

\*Insert "a Corporation", "a Partnership", or "an Individual", as applicable

To the **CITY OF BRYANT, ARKANSAS**, (hereinafter called "Owner"):

Bidder hereby proposes to perform all Work for the construction of **KATRINA DRIVE AND REYNOLDS ROAD WATER LINE EXTENSION**, in strict accordance with the Contract Documents, within the time set forth therein, and at the prices stated below.

By submission of this Bid, each Bidder certifies, and in the case of a joint Bid, each party thereto certifies as to its own organization, that this Bid has been arrived at independently, without consultation, communication, or agreement as to any matter relating to this Bid with any other Bidder or with any competitor.

Bidder, having examined the Drawings and Specifications with related documents and the site of the proposed work and being familiar with the conditions surrounding the construction of the proposed project, the legal requirements (Federal, State, and Local Laws, Ordinances, Rules and Regulations), and availability of materials and labor, hereby proposes to furnish all materials, labor equipment, and supplies to construct the Project in full accordance with the Contract Documents for the Prices stated herein below. The prices are to cover all expenses incurred in performing the Work of the several kinds called for in the Contract Documents, of which this Proposal is a part.

Bidder hereby agrees to perform all the Work described in the Specifications, called for in the Contract Documents, and shown on the Drawings for the following Prices:

<u>Item Description</u>	<u>Unit Price*</u>	<u>Total for Item</u>
1. 8" C900 (DR 25, 165 PSI) PVC Water Line 185 l.f.	\$ <u>117.00</u> per l.f.	\$ <u>21,645.00</u>
2. 8" C900 Restrained Joint Water Line 186 l.f.	\$ <u>95.00</u> per l.f.	\$ <u>17,670.00</u>
3. 16" Bore and Steel Encasement 150 l.f.	\$ <u>295.00</u> per l.f.	\$ <u>44,250.00</u>
4. Fire Hydrant Assembly 1 each	\$ <u>7392.00</u> each	\$ <u>7392.00</u>
5. 8" MJ Gate Valve 1 each	\$ <u>2551.00</u> each	\$ <u>2551.00</u>
6. 8" Tapping Sleeve and Valve 2 each	\$ <u>5011.00</u> each	\$ <u>10,022.00</u>
7. Cut and Cap Existing Water Line 2 each	\$ <u>2142.00</u> each	\$ <u>4284.00</u>
8. Asphalt/Concrete Surface Replacement 20 s.y.	\$ <u>108.00</u> per s.y.	\$ <u>2160.00</u>
9. Acceptance Testing Lump Sum	Lump Sum	\$ <u>1407.00</u>
10. Traffic Control Lump Sum	Lump Sum	\$ <u>644.00</u>
11. Seeding, Sodding and Final Cleanup Lump Sum	Lump Sum	\$ <u>3653.00</u>



12. Storm Water Pollution Prevention and Siltation Control  
Lump Sum Lump Sum \$ 1296.<sup>00</sup>
13. Trench and Excavation Safety  
Lump Sum Lump Sum \$ 1787.<sup>00</sup>
- TOTAL BID.....\$ 118,761.<sup>00</sup>

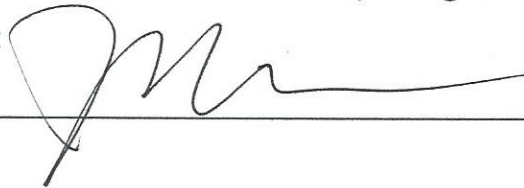
The above-stated Total Bid shall include all labor, materials, equipment, overhead, profit, insurance, taxes, and incidentals to cover the cost of the finished work of the various kinds called for to complete the Project in a manner in full accordance with the Specifications and Contract Documents; so as to be fully acceptable to the Owner.

Respectfully Submitted,

Bidder:

J.R. Fox Company, Inc.

Signature:



Printed Name:

Joseph R. Fox

Title:

President

Address:

P.O. Box 7382

Little Rock, AR 72217

Telephone Number:

501-9445240

---

Fax Number:

---

Arkansas Contractor's License Number:

0144410322

---

Seal (If Bidder is a Corporation)

Redstone Construction Group, Inc.  
 505 West Dixon Road  
 Little Rock, Arkansas 72206  
 501-374-1557  
 WATS 1-800-264-1557  
 FAX 501-374-8314  
 www.redstone-cg.com



<b>To:</b> City Of Bryant	<b>Contact:</b> Ted Taylor
<b>Address:</b> 210 SW 3rd St. Bryant, AR 72022	<b>Phone:</b> 501-847-1664
<b>Project Name:</b> Bryant Waterline Extension	<b>Fax:</b> n/a
<b>Project Location:</b> Katrina Drive And S Reynolds, Bryant, AR	<b>Bid Number:</b>
	<b>Bid Date:</b> 4/20/2022

We at Redstone Construction Group, Inc. are pleased to submit the following proposal.

Line #	Item #	Item Description	Estimated Quantity	Unit	Unit Price	Total Price
	1	8" C900 Waterline	185.00	LF	\$128.00	\$23,680.00
	2	8" C900 Restrained Joint Waterline	186.00	LF	\$135.00	\$25,110.00
	3	16" Bore And Steel Encasement	150.00	LF	\$375.00	\$56,250.00
	4	Fire Hydrant	1.00	EACH	\$7,450.00	\$7,450.00
	5	8" MJ Gate Valve	1.00	EACH	\$4,500.00	\$4,500.00
	6	8" Tapping Sleeve And Valve	2.00	EACH	\$5,250.00	\$10,500.00
	7	Cut And Cap Existing Waterline	2.00	EACH	\$8,750.00	\$17,500.00
	8	Asphalt / Concrete Repair	20.00	SY	\$390.00	\$7,800.00
	9	Acceptance Testing	1.00	LS	\$7,500.00	\$7,500.00
	10	Traffic Control	1.00	LS	\$6,300.00	\$6,300.00
	11	Seeding, Sodding, Cleanup	1.00	LS	\$7,000.00	\$7,000.00
	12	SWPPP	1.00	LS	\$4,900.00	\$4,900.00
	13	Trench Safety	1.00	LS	\$9,280.00	\$9,280.00
<b>Total Price for above Items:</b>						<b>\$187,770.00</b>

**Total Bid Price: \$187,770.00**

**Notes:**

- If you have any questions call Kurt Cosse at (501)374-1557 or (501) 539-8075.
- Our Quote is based on Civil Drawings unless otherwise specified.
- Trench Rock is not included.
- All Redstone work is backed by the industry standard one year warranty

**Payment Terms:**

We propose to furnish all material and labor to complete the job in a professional manner. Payment is to be made upon completion unless other arrangements are specified in writing.

Periodic requests for payment will be made as the work progresses and invoiced at the above listed prices including any additional work approved by the owner or owner representative of this project. All payments will be due within 10 business days from receipt of request for payment from . Any outstanding balance due RedStone Construction Group will be charged interest at the highest rate allowed under Arkansas law. If you use a credit card to pay for services provided by Redstone Construction any credit card charges will be added to your bill and these costs will be subject to same terms listed above unless other arrangements have been made in writing by Redstone.

Any controversy arising from or relating to this Agreement in excess of \$5,000.00 shall be settled by arbitration to be held in Little Rock, Arkansas, in accordance with the Construction Industry Arbitration Rules of the American Arbitration Association. The decision of the arbitrator and any relief granted shall be binding on the parties to this Agreement.

**ACCEPTED:**

The above prices, specifications and conditions are satisfactory and are hereby accepted.

**Buyer:** \_\_\_\_\_

**Signature:** \_\_\_\_\_

**Date of Acceptance:** \_\_\_\_\_

**CONFIRMED:**

**REDSTONE CONSTRUCTION GROUP, INC.**

**Authorized Signature:** \_\_\_\_\_

**Estimator:** Kurt Cosse  
501-539-8075 kurt.cosse@redstone-cg.com

Project: **Katrina Drive Water Main Extension**

Owner: **Bryant Water Utilities**

Bid Date: **Sat, Jan 0, 00**

Bid Time:

Engineer:

**BID TOTAL: \$136,880.00**

Item	Description	Quantity	Unit	Bid	Extended
1	8" C900	365	LF	\$62.00	\$22,630.00
2	16" Steel Encasement Bore	150	LF	\$375.00	\$56,250.00
3	8" MJ Spool Piece	1	EA	\$2,000.00	\$2,000.00
4	8" Tapping Sleeve and Valve	2	EA	\$5,000.00	\$10,000.00
5	8" Fittings	10	EA	\$1,600.00	\$16,000.00
6	8" Anchor Collar	1	EA	\$4,000.00	\$4,000.00
7	8" Gate Valve	1	EA	\$2,000.00	\$2,000.00
8	Fire Hydrant Assembly	1	EA	\$6,000.00	\$6,000.00
9	Cut and Cap	1	EA	\$5,000.00	\$5,000.00
10	Solid Sod	150	SY	\$20.00	\$3,000.00
11	Mobilization	1	LS	\$10,000.00	\$10,000.00

**Exclusions and Disclosures**

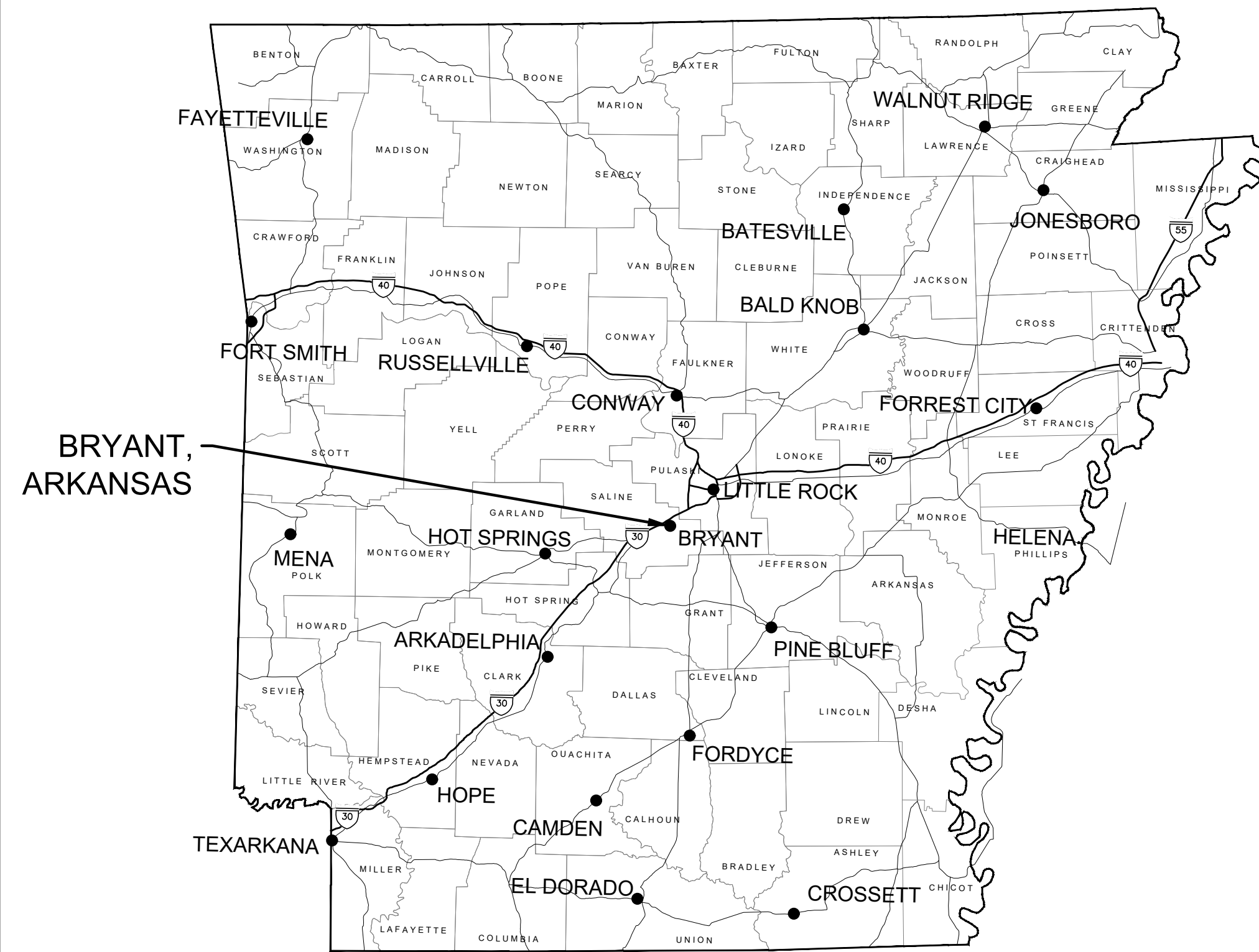
Item	Description
1	Not Responsible for Unmarked Utilities, Private or Public.
2	Permits or Bond Cost Not Included.
3	No Trench Rock
4	Erosion control or construction fencing is not included
5	Any relocating of utilities is not included unless specific

**Acceptance**

Date	Date
Signed: //ORIGINAL SIGNED//	Signed:
Roger Barker President Barker Excavation Inc.	Client

# KATRINA DRIVE & REYNOLDS ROAD WATER LINE EXTENSION

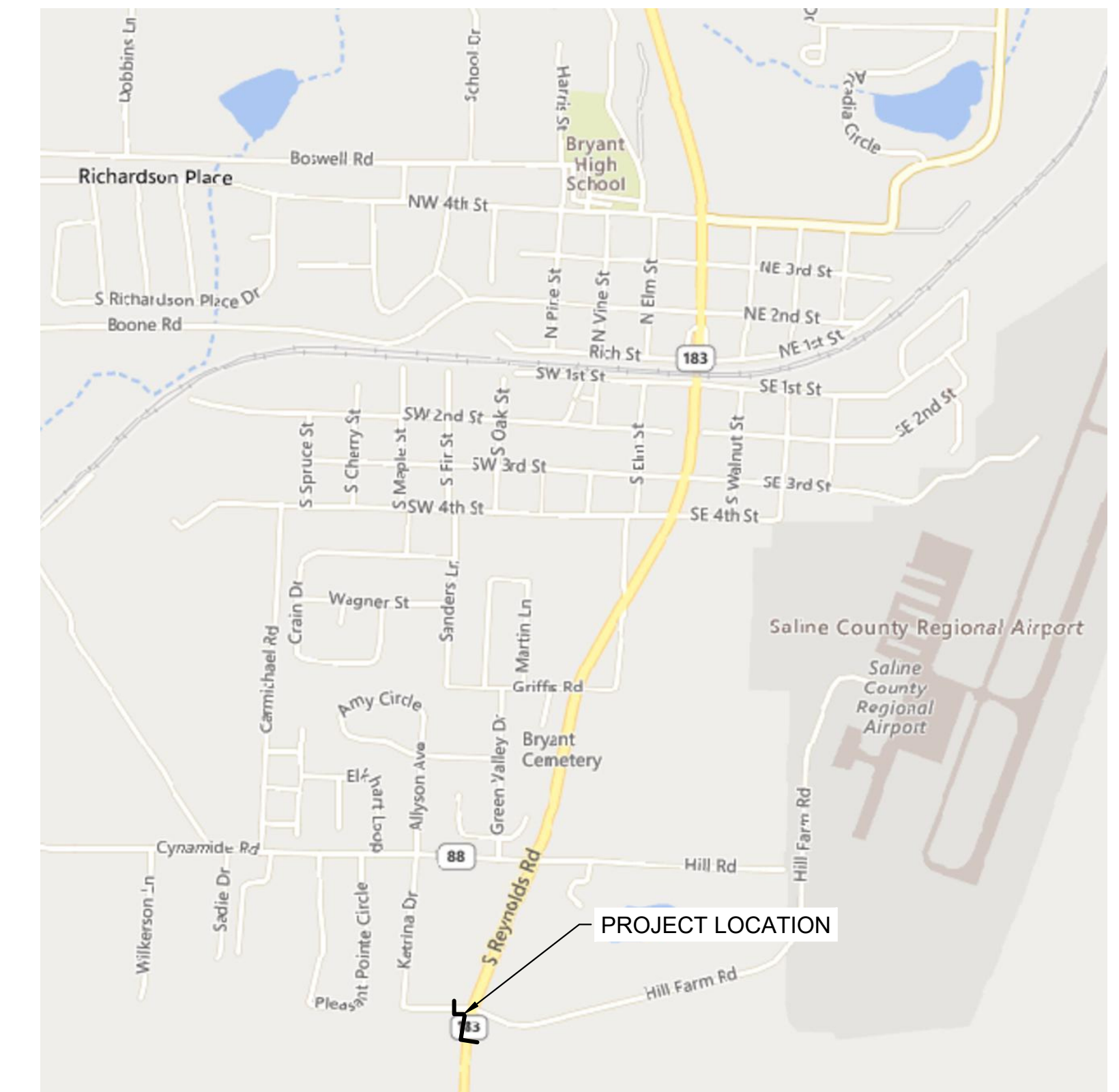
## CITY OF BRYANT, ARKANSAS



LOCATION MAP  
N.T.S.



MARCH 2022



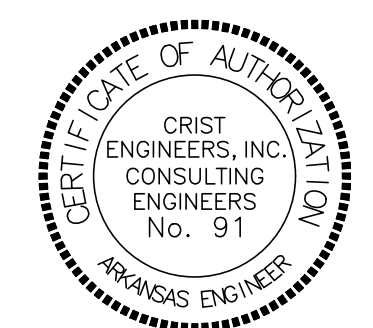
VICINITY MAP  
N.T.S.

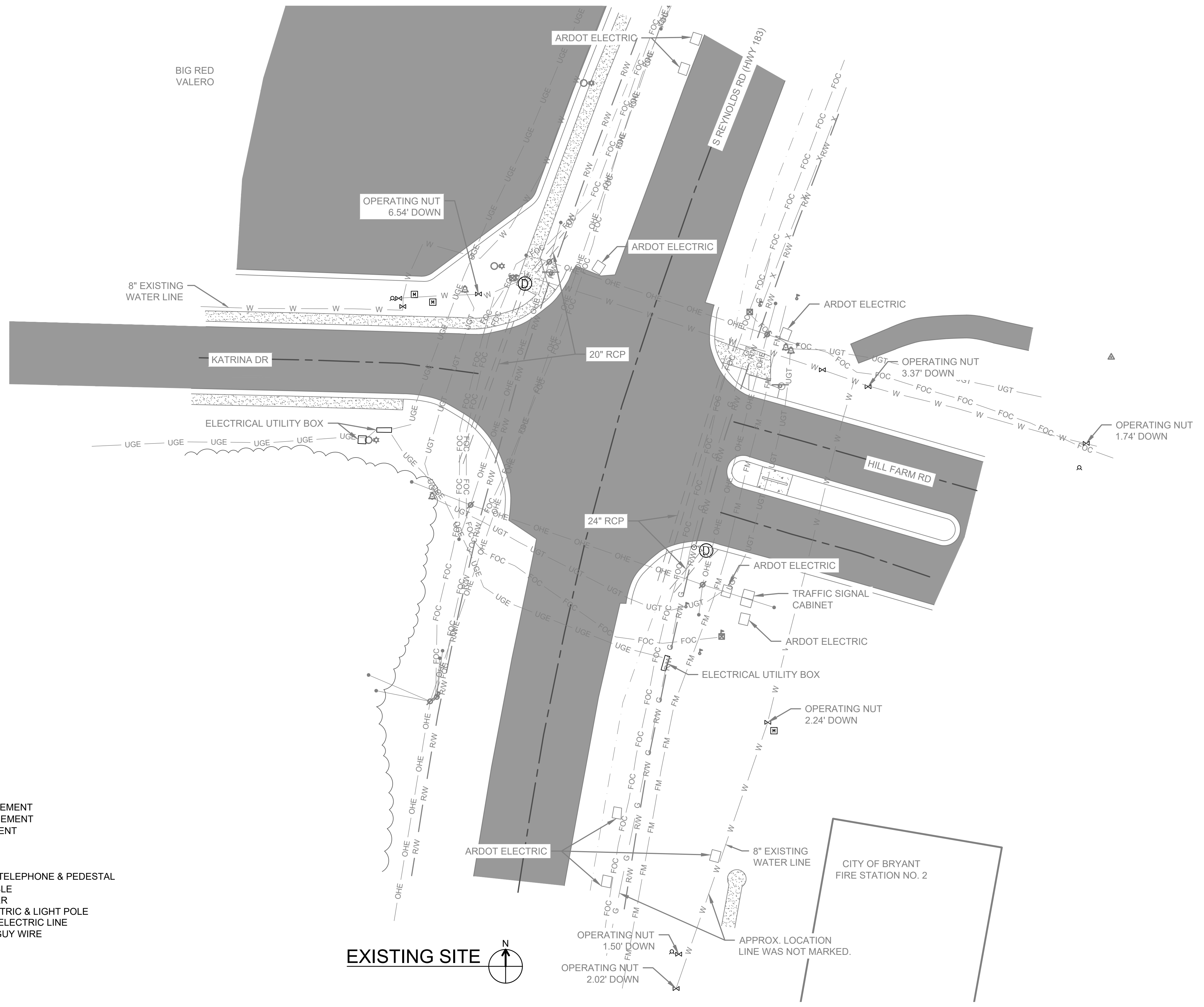
SHEET INDEX	
SH. NO.	DESCRIPTION
--	COVER SHEET
1	EXISTING SITE
2	WATER LINE EXTENSION PLAN
3	KATRINA DR PLAN & PROFILE
4	REYNOLDS RD PLAN & PROFILE
5	DETAILS I
6	DETAILS II
7	DETAILS III

CRIST PROJECT NO. 2154



CRIST ENGINEERS, INC.  
CONSULTING ENGINEERS  
LITTLE ROCK, ARKANSAS





**LEGEND**

	PROPOSED FIRE HYDRANT		PERMANENT EASEMENT
	PROPOSED WATER LINE		TEMPORARY EASEMENT
	PROPOSED VALVE		EXISTING EASEMENT
	PROPOSED ENCASEMENT		PROPERTY LINE
	RIGHT OF WAY		WIRE FENCE
	FIRE HYDRANT		FENCE (WOOD)
	WATER METER		UNDERGROUND TELEPHONE & PEDESTAL
	WATER LINE & VALVE		FIBER OPTIC CABLE
	POWER METER		GAS LINE & METER
	STORM SEWER & MANHOLE		OVERHEAD ELECTRIC & LIGHT POLE
	SEWER LINE		UNDERGROUND ELECTRIC LINE
	SEWER FORCE MAIN		POWER POLE & GUY WIRE

EXISTING SITE

REV. NO.	DATE	DRWN	CHKD	REMARKS



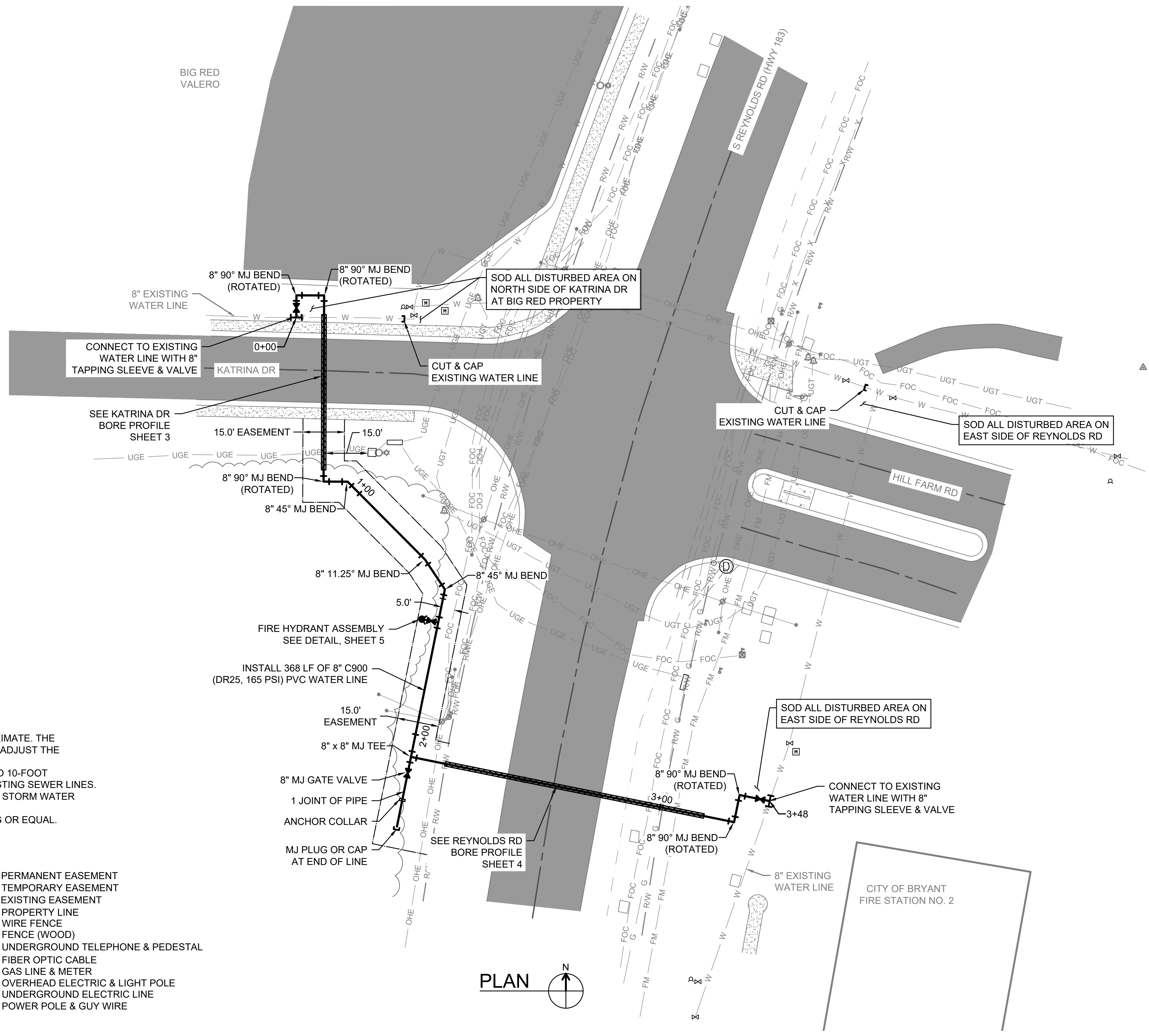
THIS LINE MEASURES 1" WHEN PLOTTED FULL SIZE

DESIGNED:	LBP
DRAFTED:	WRC
CHECKED:	LBP
DATE:	MAR 2022



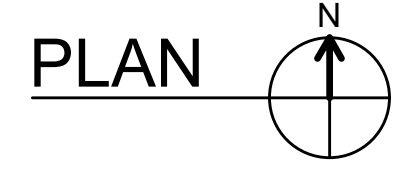
**CRIST ENGINEERS, INC.**  
CONSULTING ENGINEERS  
205 EXECUTIVE COURT  
LITTLE ROCK, ARKANSAS 72205  
TELEPHONE: (501) 664-1552  
FAX: (501) 664-8579  
WWW.CRISTENGINEERS.COM

BRYANT, ARKANSAS	
<b>WATER LINE EXTENSION</b>	
<b>CITY OF BRYANT, ARKANSAS</b>	
EXISTING SITE	
JOB NO.	2154
SHEET NO.	1

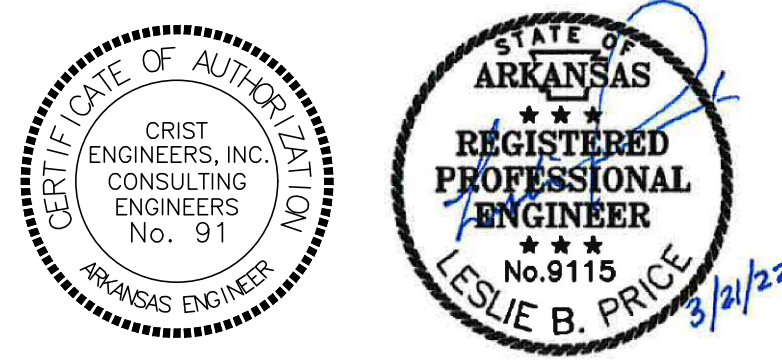


- NOTES:**
1. THE LOCATION OF EXISTING UTILITIES ON THESE DRAWINGS IS APPROXIMATE. THE CONTRACTOR SHALL VERIFY DEPTH & LOCATION OF ALL UTILITIES AND ADJUST THE WATER LINE ACCORDINGLY.
  2. MAINTAIN 18-INCHES VERTICAL SEPARATION (WATER OVER SEWER) AND 10-FOOT HORIZONTAL SEPARATION BETWEEN PROPOSED WATER MAIN AND EXISTING SEWER LINES.
  3. CONTRACTOR SHALL OBTAIN A STORM WATER PERMIT AND PREPARE A STORM WATER POLLUTION PREVENTION PLAN. SEE SPECIFICATIONS.
  4. RETAINER GLANDS REQUIRED ON ALL MJ FITTINGS & VALVES, MEGALUG OR EQUAL.

LEGEND	
	PROPOSED FIRE HYDRANT
	PROPOSED WATER LINE
	PROPOSED VALVE
	PROPOSED ENCASEMENT
	RIGHT OF WAY
	FIRE HYDRANT
	WATER METER
	WATER LINE & VALVE
	POWER METER
	STORM SEWER & MANHOLE
	SEWER LINE
	SEWER FORCE MAIN
	PERMANENT EASEMENT
	TEMPORARY EASEMENT
	EXISTING EASEMENT
	PROPERTY LINE
	WIRE FENCE
	FENCE (WOOD)
	UNDERGROUND TELEPHONE & PEDESTAL
	FIBER OPTIC CABLE
	GAS LINE & METER
	OVERHEAD ELECTRIC & LIGHT POLE
	UNDERGROUND ELECTRIC LINE
	POWER POLE & GUY WIRE



REV. NO.	DATE	DRWN	CHKD	REMARKS



DESIGNED: LBP  
 DRAFTED: WRC  
 CHECKED: LBP  
 DATE: MAR 2022

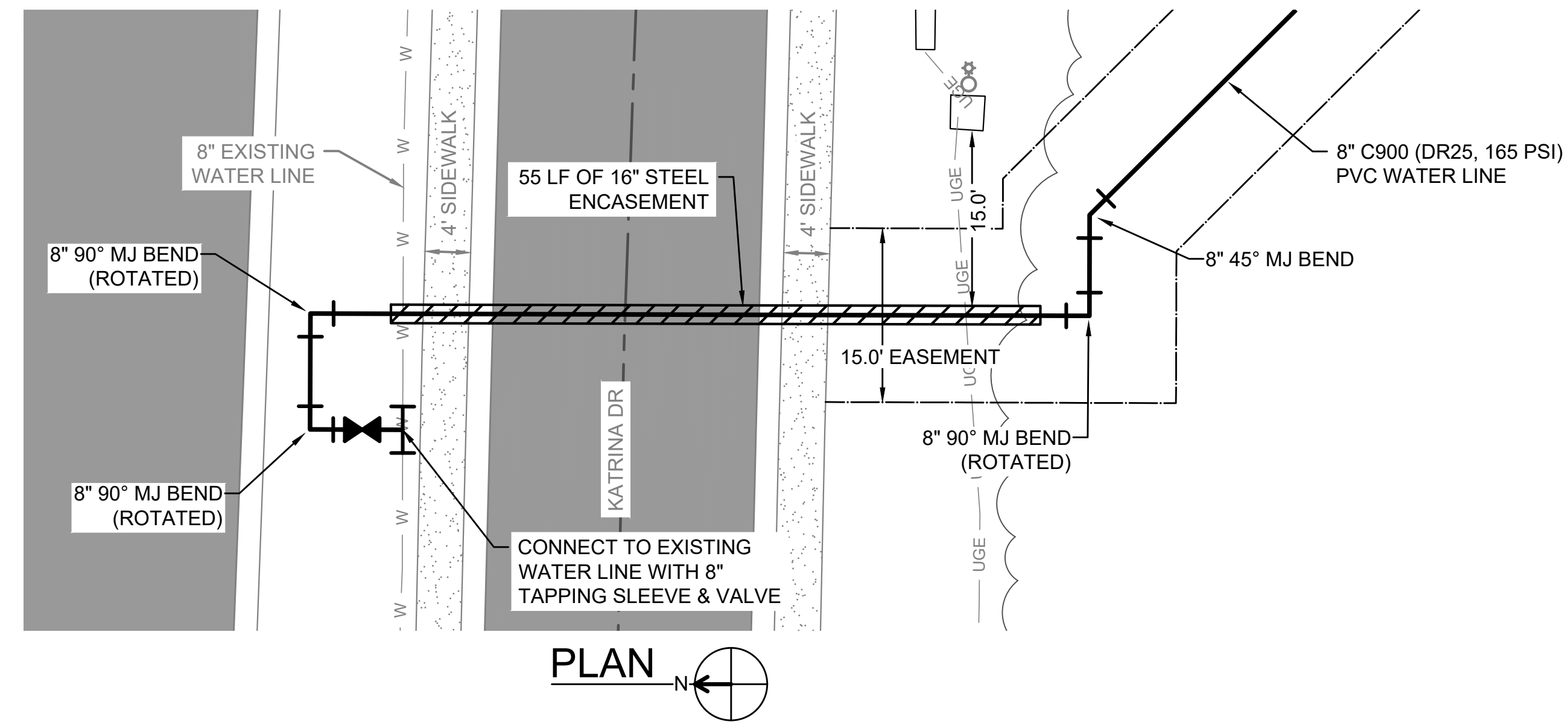


**CRIST ENGINEERS, INC.**  
 CONSULTING ENGINEERS  
 205 EXECUTIVE COURT  
 LITTLE ROCK, ARKANSAS 72205  
 TELEPHONE: (501) 664-1552  
 FAX: (501) 664-8579  
 WWW.CRISTENGINEERS.COM

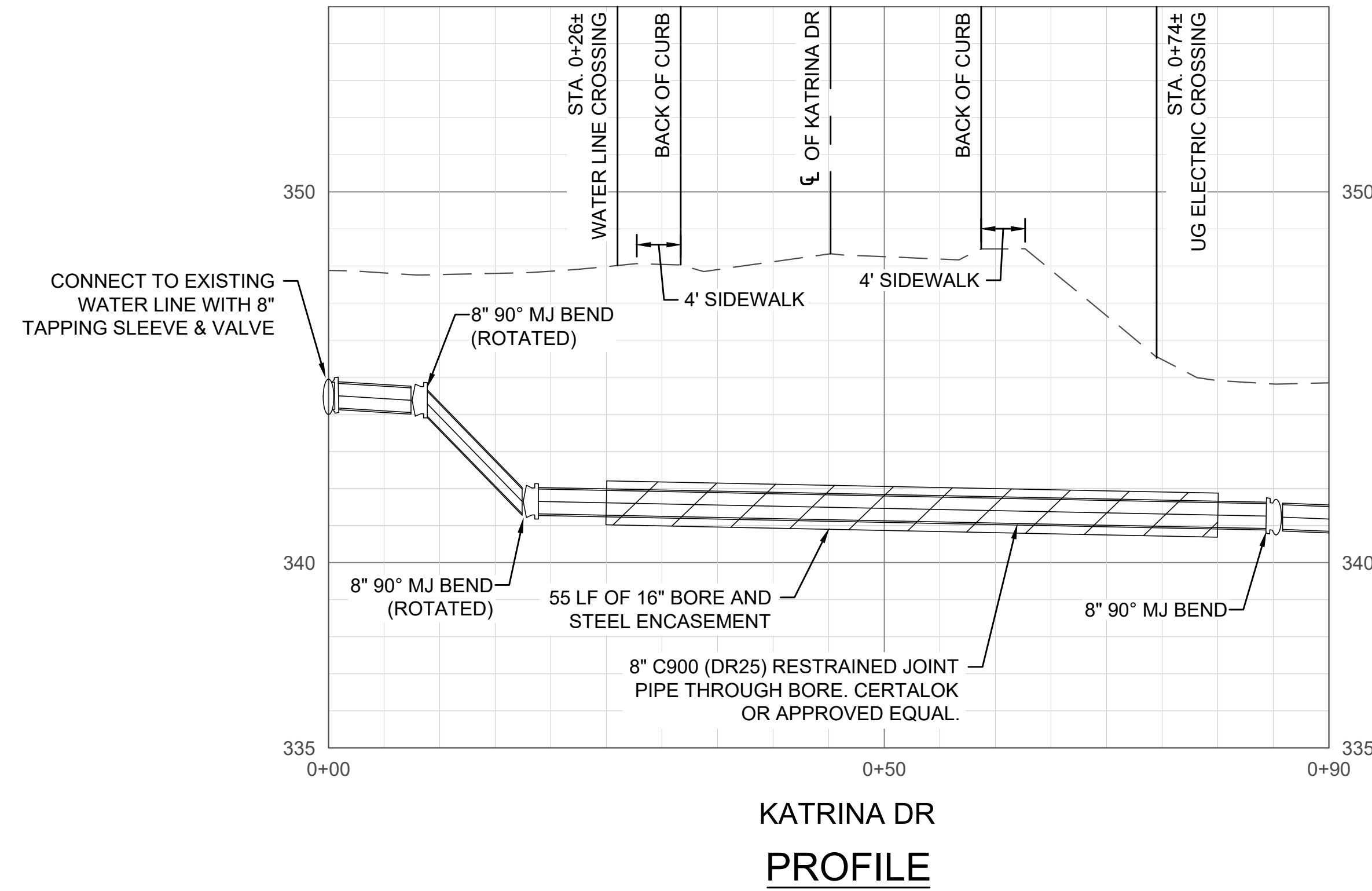
BRYANT, ARKANSAS  
**WATER LINE EXTENSION**  
 CITY OF BRYANT, ARKANSAS  
 WATER LINE EXTENSION  
 PLAN

JOB NO.  
 2154  
 SHEET NO.  
 2





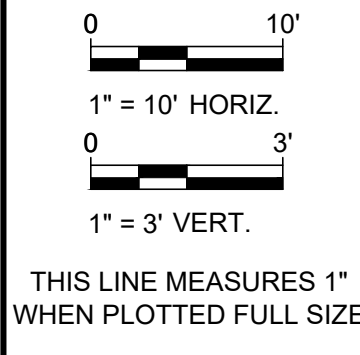
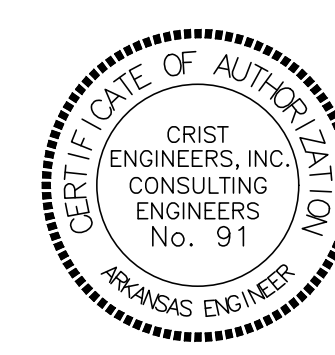
CONTRACTOR SHALL VERIFY DEPTH & LOCATION OF ALL UTILITIES AND ADJUST DEPTH OF ENCASUREMENT IF NECESSARY.



- NOTES:**
1. THE LOCATION OF EXISTING UTILITIES ON THESE DRAWINGS IS APPROXIMATE. THE CONTRACTOR SHALL VERIFY DEPTH & LOCATION OF ALL UTILITIES AND ADJUST THE WATER LINE ACCORDINGLY.
  2. MAINTAIN 18-INCHES VERTICAL SEPARATION (WATER OVER SEWER) AND 10-FOOT HORIZONTAL SEPARATION BETWEEN PROPOSED WATER MAIN AND EXISTING SEWER LINES.
  3. CONTRACTOR SHALL OBTAIN A STORM WATER PERMIT AND PREPARE A STORM WATER POLLUTION PREVENTION PLAN. SEE SPECIFICATIONS.
  4. RETAINER GLANDS REQUIRED ON ALL MJ FITTINGS & VALVES, MEGALUG OR EQUAL.

LEGEND	
	PROPOSED FIRE HYDRANT
	PROPOSED WATER LINE
	PROPOSED VALVE
	PROPOSED ENCASUREMENT
	RIGHT OF WAY
	FIRE HYDRANT
	WATER METER
	WATER LINE & VALVE
	POWER METER
	STORM SEWER & MANHOLE
	SEWER LINE
	SEWER FORCE MAIN
	PERMANENT EASEMENT
	TEMPORARY EASEMENT
	EXISTING EASEMENT
	PROPERTY LINE
	WIRE FENCE
	FENCE (WOOD)
	UNDERGROUND TELEPHONE & PEDESTAL
	FIBER OPTIC CABLE
	GAS LINE & METER
	OVERHEAD ELECTRIC & LIGHT POLE
	UNDERGROUND ELECTRIC LINE
	POWER POLE & GUY WIRE

REV. NO.	DATE	DRWN	CHKD	REMARKS



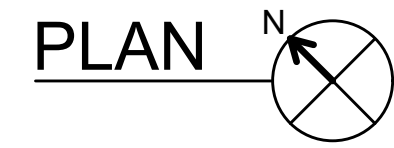
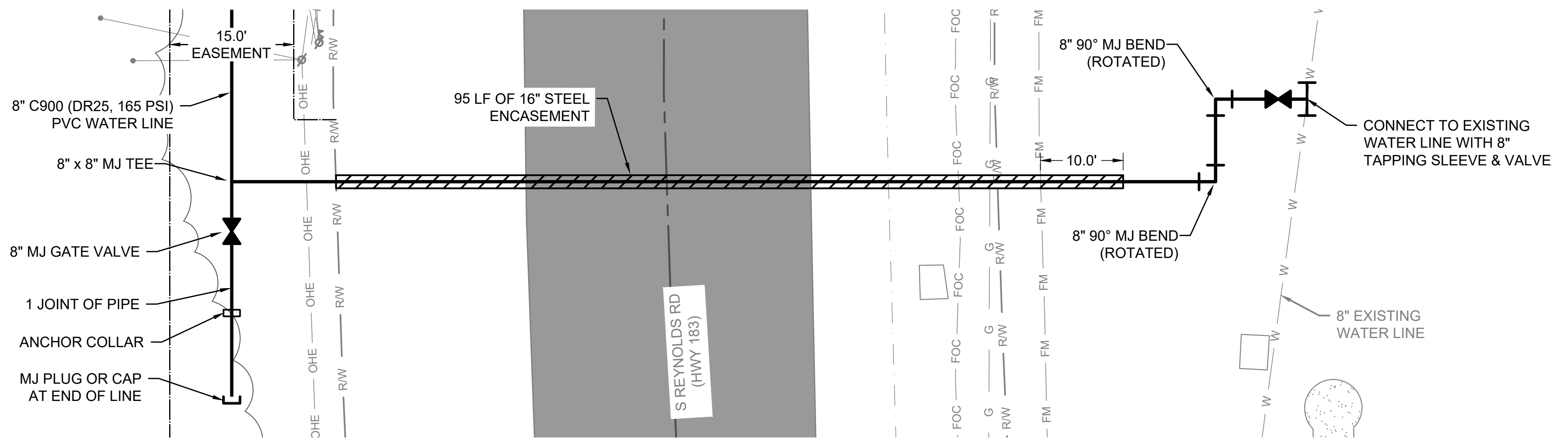
DESIGNED: LBP  
 DRAFTED: WRC  
 CHECKED: LBP  
 DATE: MAR 2022



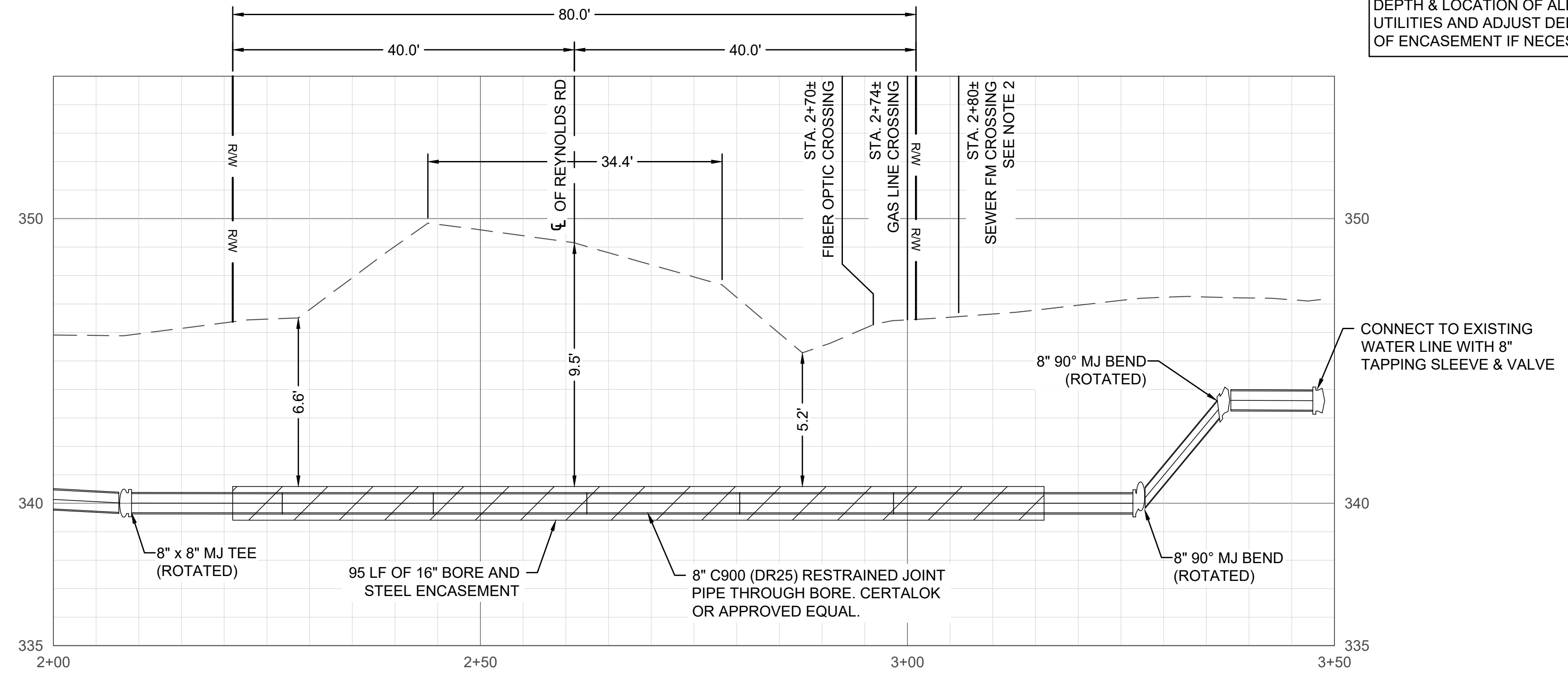
**CRIST ENGINEERS, INC.**  
 CONSULTING ENGINEERS  
 205 EXECUTIVE COURT  
 LITTLE ROCK, ARKANSAS 72205  
 TELEPHONE: (501) 664-1552  
 FAX: (501) 664-8579  
 WWW.CRISTENGINEERS.COM

BRYANT, ARKANSAS  
**WATER LINE EXTENSION**  
 CITY OF BRYANT, ARKANSAS  
 KATRINA DR  
 PLAN & PROFILE

JOB NO. 2154  
 SHEET NO. 3



CONTRACTOR SHALL VERIFY DEPTH & LOCATION OF ALL UTILITIES AND ADJUST DEPTH OF ENCASEMENT IF NECESSARY.

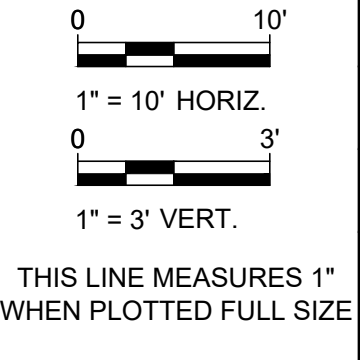
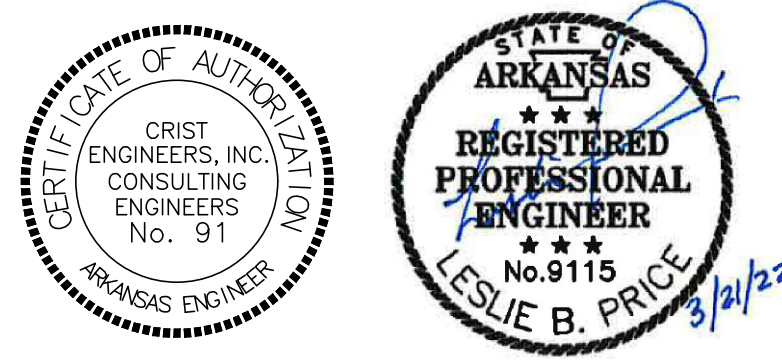


REYNOLDS RD  
PROFILE

- NOTES:**
1. THE LOCATION OF EXISTING UTILITIES ON THESE DRAWINGS IS APPROXIMATE. THE CONTRACTOR SHALL VERIFY DEPTH & LOCATION OF ALL UTILITIES AND ADJUST THE WATER LINE ACCORDINGLY.
  2. MAINTAIN 18-INCHES VERTICAL SEPARATION (WATER OVER SEWER) AND 10-FOOT HORIZONTAL SEPARATION BETWEEN PROPOSED WATER MAIN AND EXISTING SEWER LINES.
  3. CONTRACTOR SHALL OBTAIN A STORM WATER PERMIT AND PREPARE A STORM WATER POLLUTION PREVENTION PLAN. SEE SPECIFICATIONS.
  4. RETAINER GLANDS REQUIRED ON ALL MJ FITTINGS & VALVES, MEGALUG OR EQUAL.

LEGEND	
	PROPOSED FIRE HYDRANT
	PROPOSED WATER LINE
	PROPOSED VALVE
	PROPOSED ENCASEMENT
	RIGHT OF WAY
	FIRE HYDRANT
	WATER METER
	WATER LINE & VALVE
	POWER METER
	STORM SEWER & MANHOLE
	SEWER LINE
	SEWER FORCE MAIN
	PERMANENT EASEMENT
	TEMPORARY EASEMENT
	EXISTING EASEMENT
	PROPERTY LINE
	WIRE FENCE
	FENCE (WOOD)
	UNDERGROUND TELEPHONE & PEDESTAL
	FIBER OPTIC CABLE
	GAS LINE & METER
	OVERHEAD ELECTRIC & LIGHT POLE
	UNDERGROUND ELECTRIC LINE
	POWER POLE & GUY WIRE

REV. NO.	DATE	DRWN	CHKD	REMARKS



DESIGNED:	LBP
DRAFTED:	WRC
CHECKED:	LBP
DATE:	MAR 2022



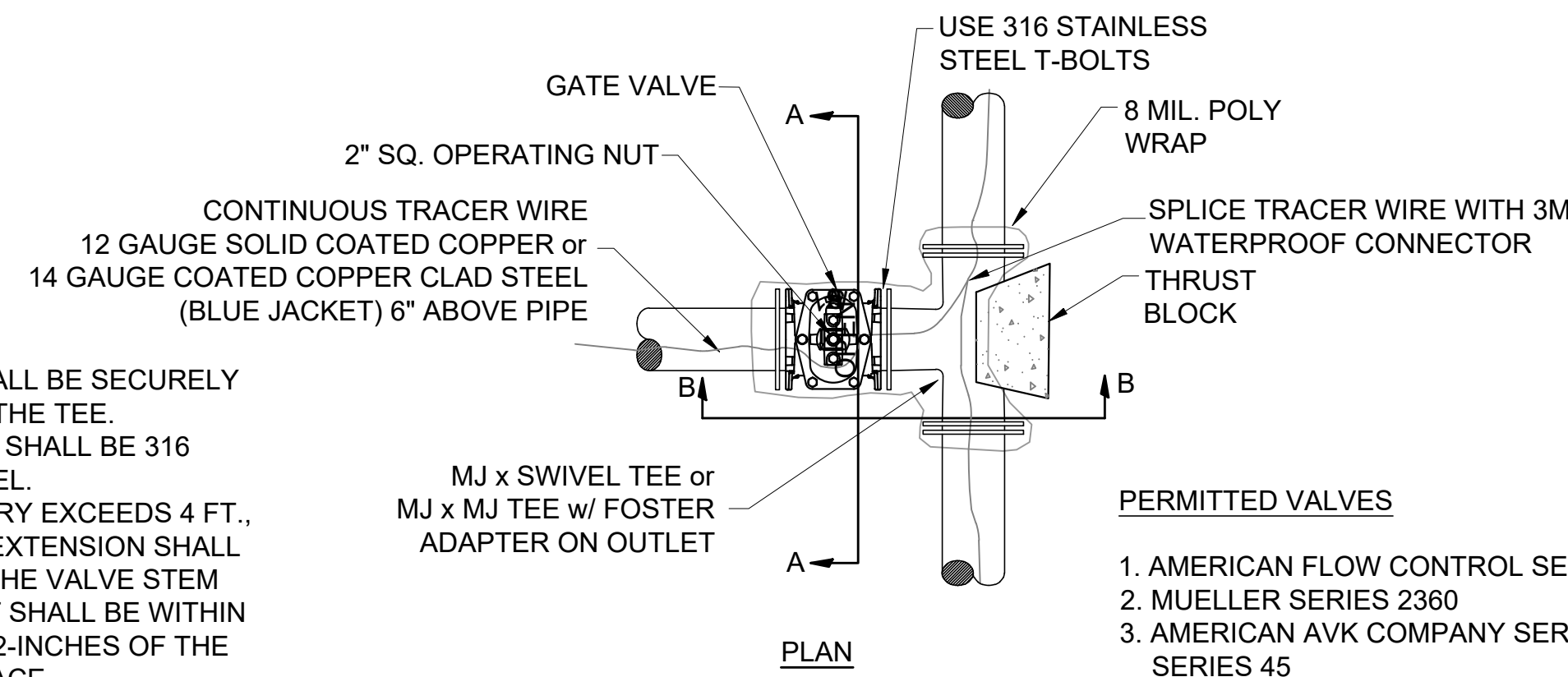
**CRIST ENGINEERS, INC.**  
CONSULTING ENGINEERS  
205 EXECUTIVE COURT  
LITTLE ROCK, ARKANSAS 72205  
TELEPHONE: (501) 664-1552  
FAX: (501) 664-8579  
WWW.CRISTENGINEERS.COM

BRYANT, ARKANSAS  
**WATER LINE EXTENSION**  
CITY OF BRYANT, ARKANSAS  
  
REYNOLDS RD  
PLAN & PROFILE

JOB NO.	2154
SHEET NO.	4

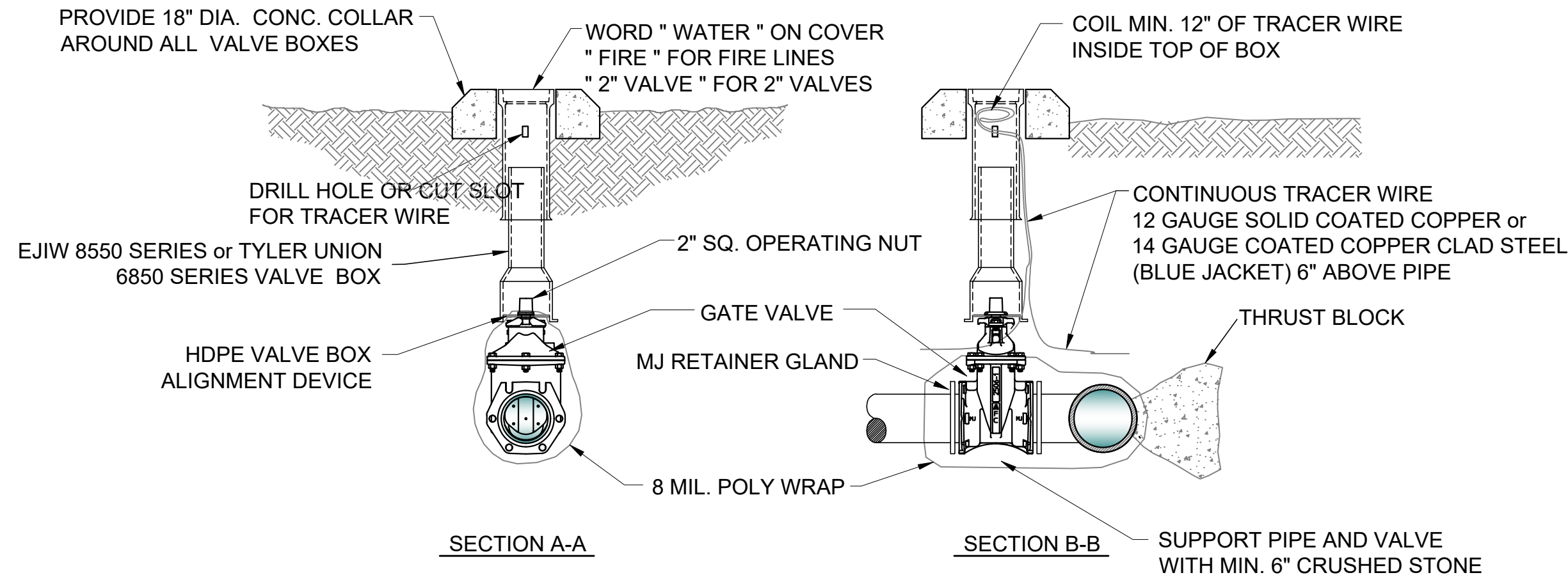
**NOTES:**

1. ALL VALVES SHALL BE SECURELY ANCHORED TO THE TEE.
2. ALL HARDWARE SHALL BE 316 STAINLESS STEEL.
3. IF DEPTH OF BURY EXCEEDS 4 FT., A VALVE STEM EXTENSION SHALL BE REQUIRED. THE VALVE STEM EXTENSION NUT SHALL BE WITHIN 24-INCHES TO 12-INCHES OF THE FINISHED SURFACE.

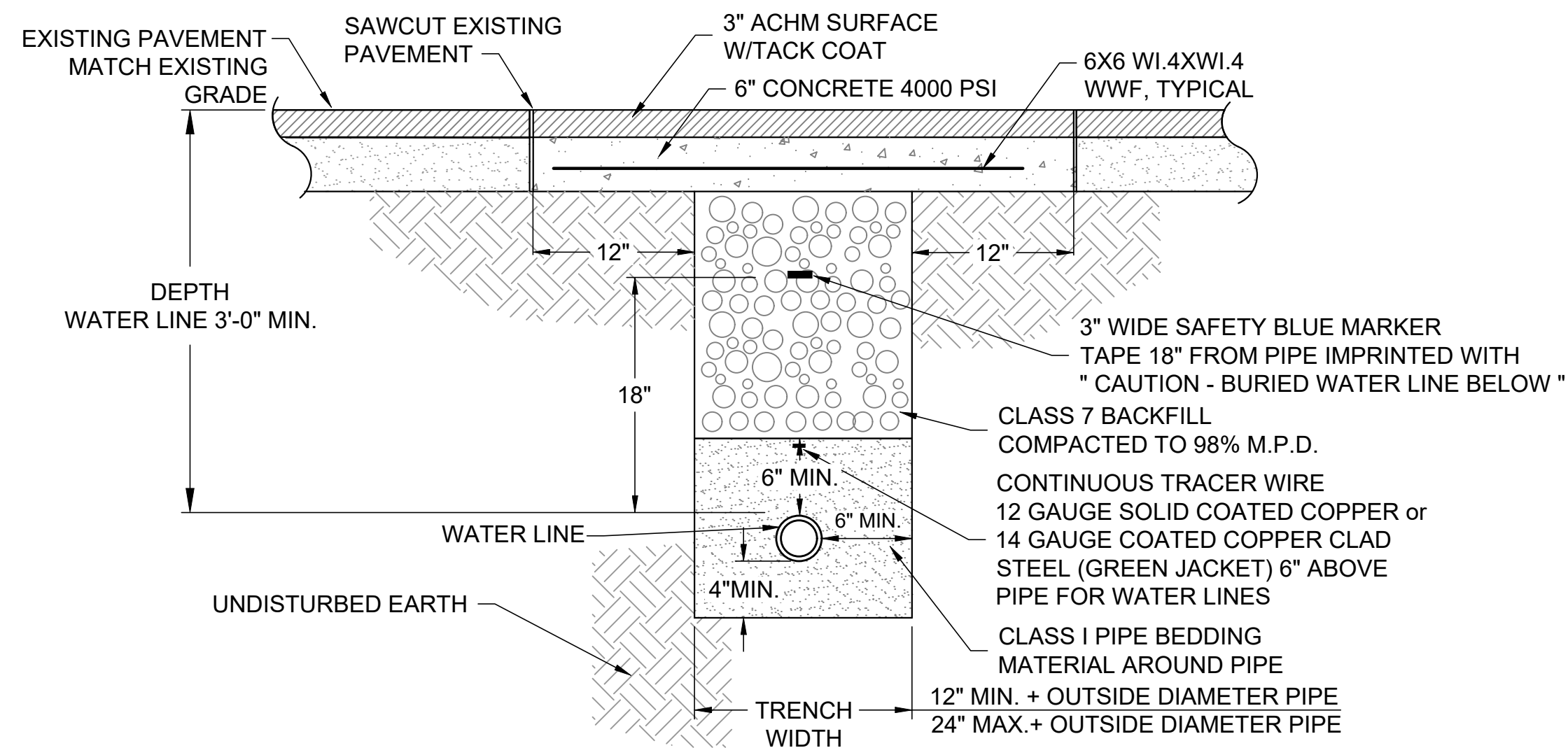


**PERMITTED VALVES**

1. AMERICAN FLOW CONTROL SERIES 2500
2. MUELLER SERIES 2360
3. AMERICAN AVK COMPANY SERIES 25 OR SERIES 45



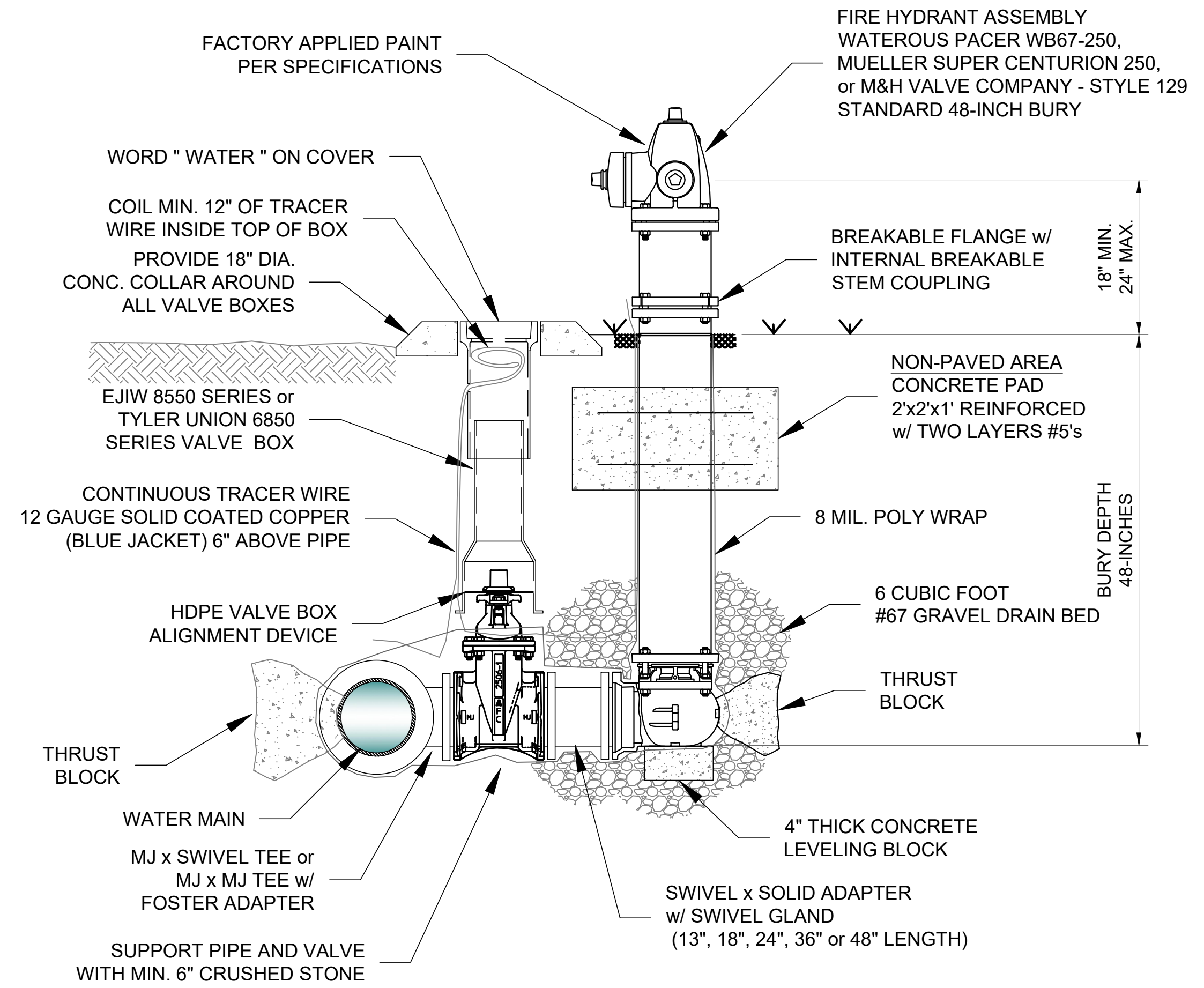
**GATE VALVE  
DETAIL**  
N.T.S. (A)



**ASPHALT REPAIR  
DETAIL**  
N.T.S. (B)

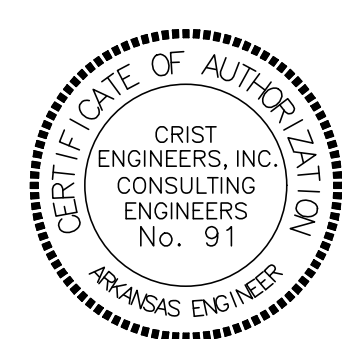
**NOTES:**

1. THE 6" GATE VALVE SHALL BE POSITIVELY RESTRAINED TO THE MAIN BY THE USE OF EITHER A SWIVEL TEE OR FOSTER ADAPTER.
2. FIRE HYDRANTS SHALL BE DESIGNED FOR A MINIMUM 48" BURY.
3. BURY LINE OF HYDRANT SHALL BE NO LESS THAN THE PROPOSED FINISHED ELEVATION OF BACK OF CURB, OR SIDEWALK, WHICHEVER IS GREATER.
4. EXTENSIONS SHALL BE WATEROUS K562 OR MUELLER A-320 WITH NO MORE THAN ONE EXTENSION PER HYDRANT.
5. IF SIDEWALK IS PRESENT, HYDRANT SHALL BE INSTALLED 2' MINIMUM BEHIND THE BACK OF THE SIDEWALK OR CURB. VALVES SHALL BE INSTALLED 1' MINIMUM BEHIND THE BACK OF THE SIDEWALK OR CURB.
6. DO NOT COVER UP WEEP HOLE WITH CONCRETE.
7. MJ RETAINER GLANDS ARE REQUIRED FOR ALL FITTINGS.
7. 6" DUCTILE IRON PIPE IS REQUIRED FOR ALL FIRE HYDRANT LEADS GREATER THAN 48-INCHES FROM THE MAIN VALVE.
8. AN ADDITIONAL GUARDIAN VALVE IS REQUIRED FOR ALL FIRE HYDRANT LEADS GREATER THAN 30 FEET IN LENGTH.



**FIRE HYDRANT & VALVE CONNECTION  
DETAIL**  
N.T.S. (C)

REV. NO.	DATE	DRWN	CHKD	REMARKS



THIS LINE MEASURES 1" WHEN PLOTTED FULL SIZE

DESIGNED:	LBP
DRAFTED:	WRC
CHECKED:	LBP
DATE:	MAR 2022

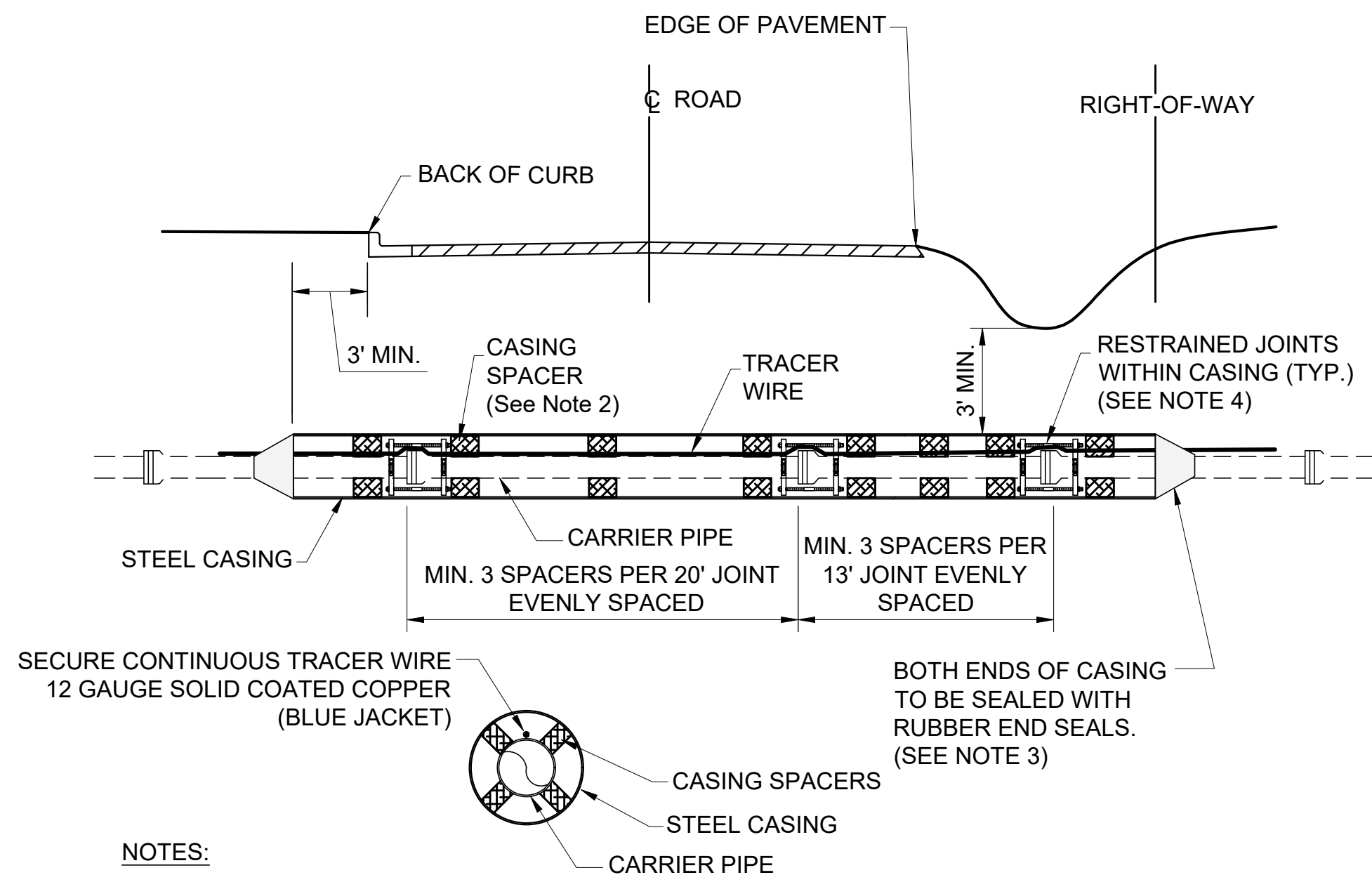


**CRIST ENGINEERS, INC.**  
CONSULTING ENGINEERS  
205 EXECUTIVE COURT  
LITTLE ROCK, ARKANSAS 72205  
TELEPHONE: (501) 664-1552  
FAX: (501) 664-8579  
WWW.CRISTENGINEERS.COM

BRYANT, ARKANSAS  
**WATER LINE EXTENSION**  
CITY OF BRYANT, ARKANSAS

DETAILS I

JOB NO.	2154
SHEET NO.	5



**NOTES:**

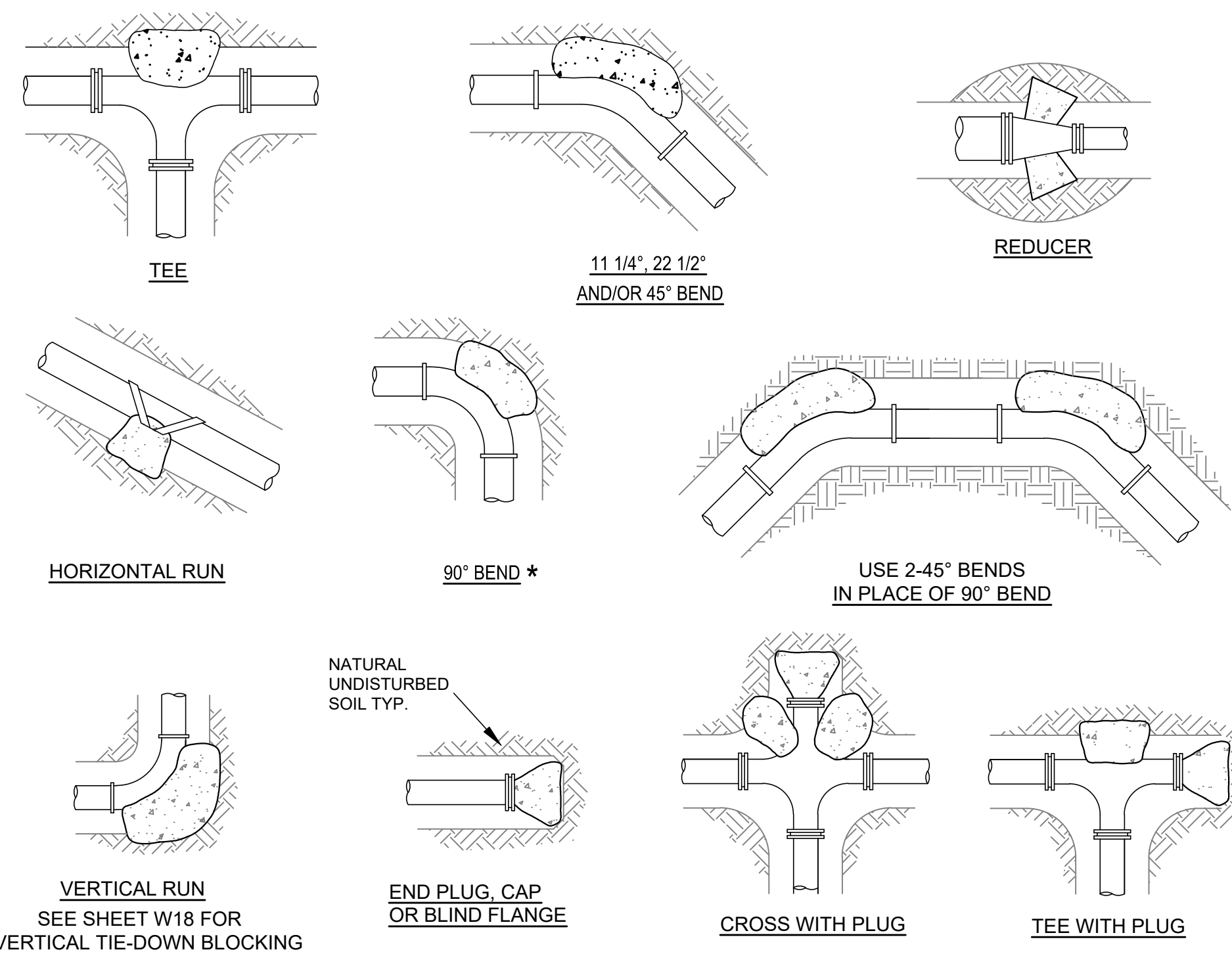
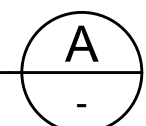
1. STEEL CASING SHALL BE CONSTRUCTED OF SPIRAL OR STRAIGHT WELDED STEEL WITH A MINIMUM DIAMETER AND THICKNESS AS SHOWN BELOW (SEE TABLE).
2. PROVIDE CASING SPACERS BY CASCADE MODEL CCS AS MANUFACTURED BY CASCADE WATERWORKS MFG. CO., OR APPROVED EQUAL.
3. PROVIDE END SEALS BY CASCADE MODEL CCES AS MANUFACTURED BY CASCADE WATERWORKS MFG. CO., OR APPROVED EQUAL.
4. WHERE ENCASUREMENTS ARE GREATER THAN 25 FEET IN LENGTH, SELF-RESTRAINING GASKETS OR BELL RESTRAINTS SHALL BE USED FOR ALL JOINTS INSIDE THE ENCASUREMENT PIPE AND FOR THE FIRST JOINT IN EACH DIRECTION OUTSIDE THE ENCASUREMENT PIPE.
5. BELL RESTRAINTS FOR PVC SHALL BE SERIES 1900 RESTRAINT HARNESS AND BELL RESTRAINTS FOR DIP SHALL BE SERIES 1700 RESTRAINT HARNESS BY EBAA IRON INC., OR APPROVED EQUAL.
6. DIRECT BURY STEEL ENCASUREMENT SHALL BE POLY WRAPPED.
7. JACK AND BORE STEEL ENCASUREMENT SHALL HAVE 17# HP MAGNESIUM ANODES CAD WELDED TO THE END OF THE ENCASUREMENT PIPE.

CARRIER AND CASING SIZES							
CARRIER (ID)	2"	3"	4"	6"	8"	10"	12"
CASING (ID)	5"	6"	8"	12"	16"	20"	24"
CASING WALL THICKNESS	0.250	0.250	0.250	0.250	0.250	0.250	0.375
CARRIER (ID)	14" - 16"	18" - 20"	24"	30"	36"	42"	48"
CASING (ID)	30"	36"	42"	48"	54"	60"	72"
CASING WALL THICKNESS	0.375	0.500	0.625	0.625	0.625	0.625	0.750

**STEEL ENCASUREMENT**

**DETAIL**

N.T.S.



THRUST BLOCK SCHEDULE												
(2000 PSF SOIL, 200 PSI WATER PRESSURE, 100 PSI WATER HAMMER)												
BEARING AREA OF THRUST BLOCKS IN SQ. FT. (HORIZONTAL BENDS)						VOLUME OF THRUST BLOCK IN CU. FEET (VERTICAL BENDS)						
FITTING SIZE	PLUG TEE OR CAP	BEND ANGLE				FITTING SIZE	BEND ANGLE				ROD DIAM.	EMBED-MENT
		90° *	45°	22 1/2°	11 1/4°		90° *	45°	22 1/2°	11 1/4°		
2, 3, & 4	1.9	2.7	1.4	0.7	0.4	2, 3, & 4	35.5	19.2	9.8	4.9	.50"	30"
6	5.6	7.9	4.3	2.2	1.1	6	105.8	57.2	29.2	14.7	.75"	30"
8	9.6	13.6	7.4	3.8	1.9	8	181.9	98.5	50.2	25.2	.75"	30"
12	20.5	29.0	15.7	8.0	4.0	12	387.1	209.5	106.8	53.7	1.0"	30"
16	35.7	50.4	27.3	13.9	7.0	16	672.6	364.0	185.6	93.2	1.0"	36"
18	44.8	63.4	34.3	17.5	18.8	18	844.7	457.2	233.1	117.1	1.0"	36"
24	78.4	110.9	60.0	30.6	15.4	24	1478.7	800.3	408.0	205.0	1.5"	36"

90 DEGREE BENDS SHALL ONLY BE USED ON A BY-EXCEPTION BASIS, AND MUST EACH BE SPECIFICALLY APPROVED BY CITY.

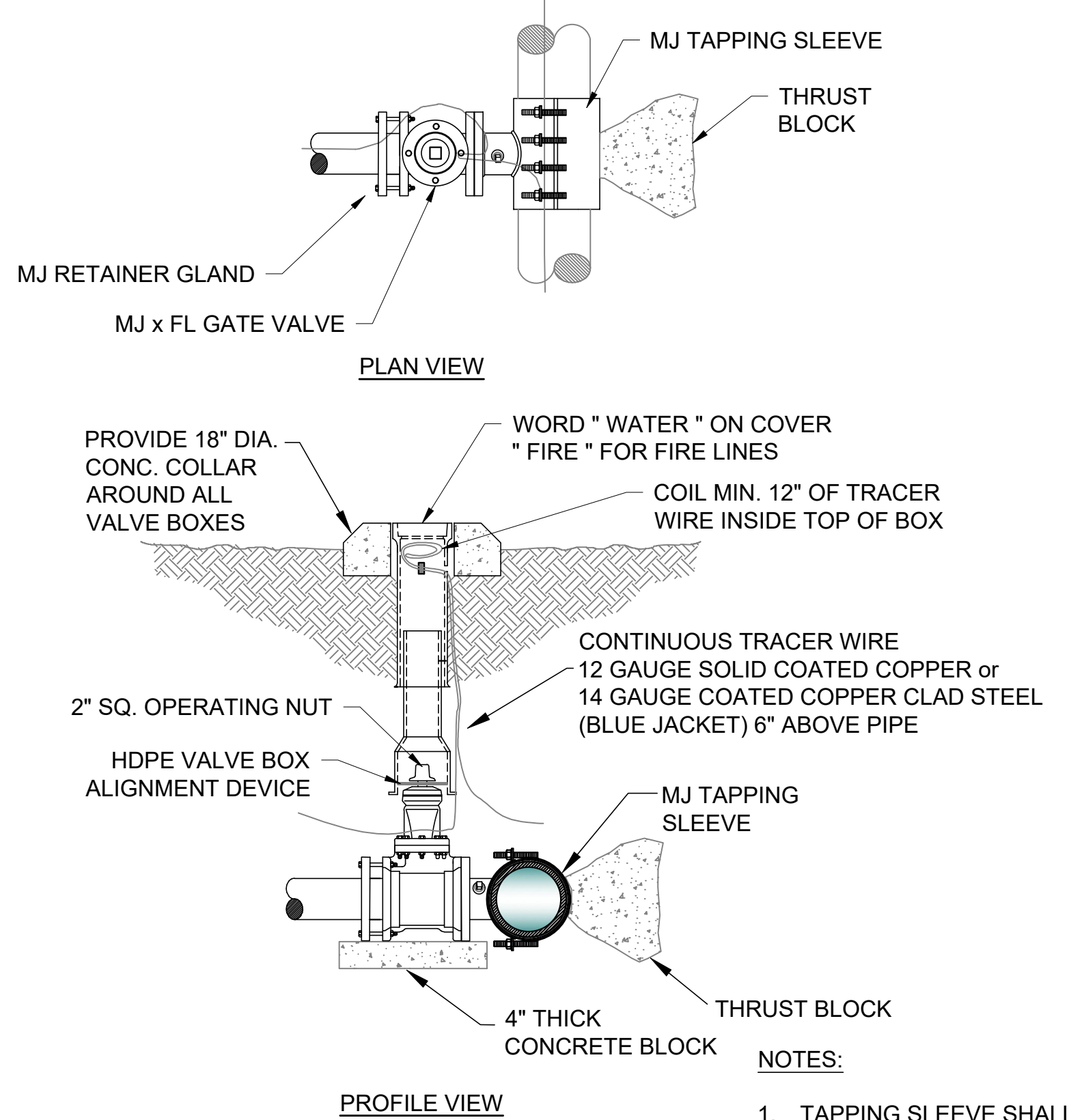
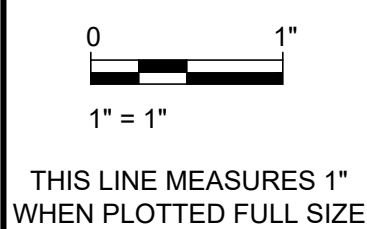
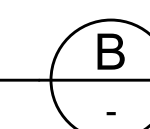
**THRUST BLOCK NOTES:**

1. CONCRETE FOR THRUST BLOCKS - CLASS A CONCRETE SHALL DEVELOP NOT LESS THAN 3000 P.S.I. COMPRESSIVE STRENGTH AT 28 DAYS AND BE PLACED AGAINST UNDISTURBED SOIL.
2. ALL BENDS, BOTH HORIZONTAL AND VERTICAL, SHALL BE BACKED WITH CONCRETE. VERTICAL BENDS SHALL BE PLACED ON CONCRETE PADS WHERE BENDS TURN UP, OR LOADED WHERE BENDS TURN DOWN.
3. WRAP PIPE JOINTS IN 8 MIL "POLYETHYLENE" BEFORE PLACING CONCRETE.
4. BEARING AREA SHOWN IN TABLE, IS BASED UPON A 2000 LB/SF. SOIL BEARING, AND UPON A PIPELINE PRESSURE OF 200 psi. PLUS 100 psi. WATER HAMMER. AREAS SHOWN SHALL BE ADJUSTED, SHOULD FIELD CONDITIONS VARY.
5. MJ RESTRAINTS ARE REQUIRED FOR ALL FITTINGS.
6. USE LONG-RADIUS FITTINGS WHEREVER POSSIBLE.
7. ALL BOLTS FOR FITTINGS SHALL BE 316 STAINLESS STEEL.
8. ALL DUCTILE IRON FITTINGS SHALL BE FUSION-BONDED EPOXY COATED INSIDE AND OUTSIDE IN ACCORDANCE WITH ANSI/AWWA C116/A21.16.
9. UNIT WEIGHT OF CONCRETE FOR VERTICAL THRUST BLOCKS IS 150 LBS/CU. FT.

**THRUST BLOCKING**

**DETAIL**

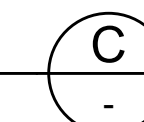
N.T.S.



**TAPPING SLEEVE & VALVE**

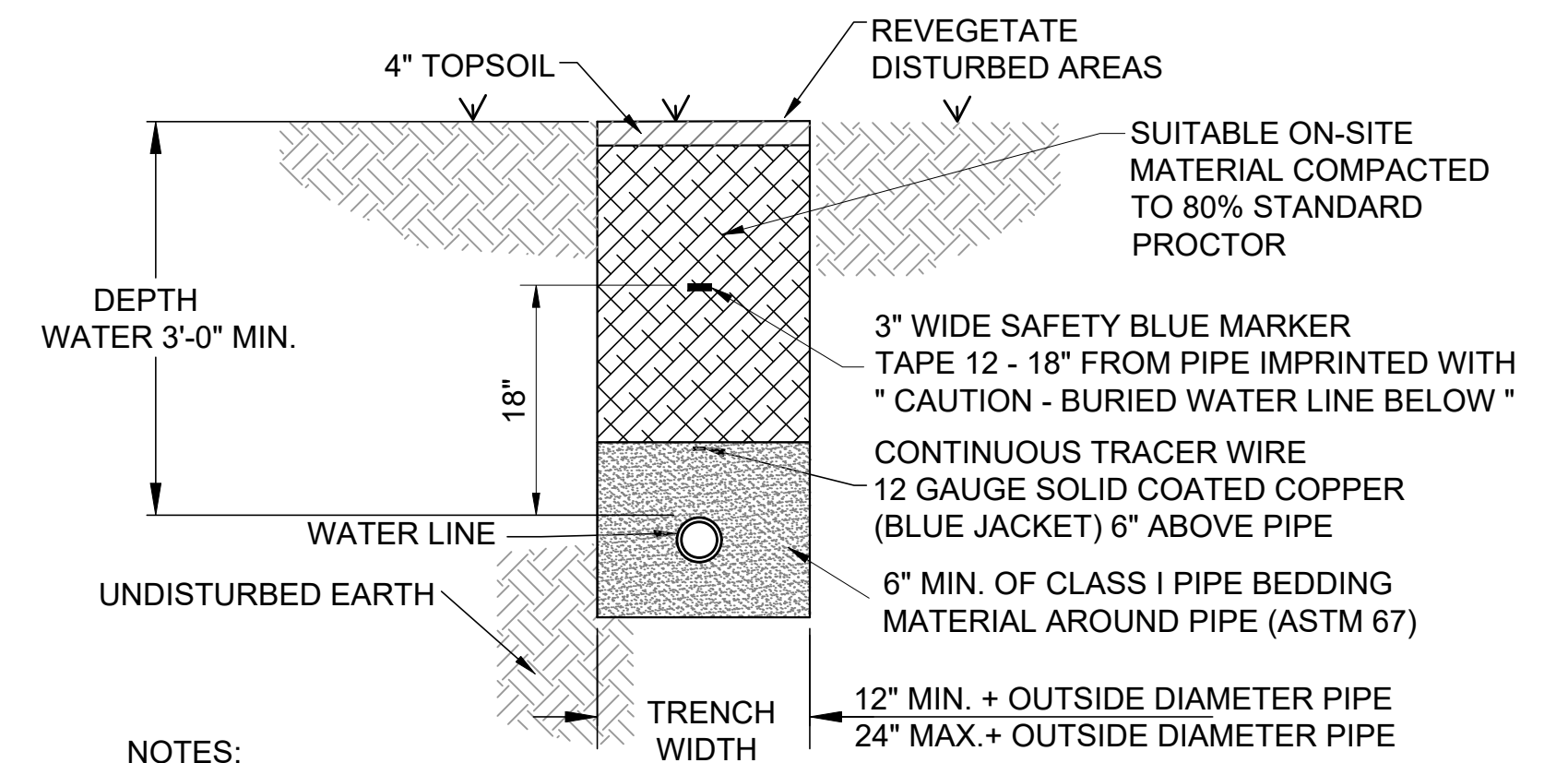
**DETAIL**

N.T.S.



**NOTES:**

1. TAPPING SLEEVE SHALL BE SMITH-BLAIR 662 OR FORD FAST.
2. AFTER THE TAP IS MADE, RE-TORQUE BOLTS ON SLEEVE TO SEAL TO FINAL SHAPE OF PIPE.
3. TAPPING SLEEVE AND VALVE SHALL BE WRAPPED WITH 8 MIL POLY WRAP.



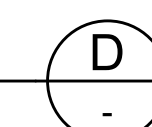
**NOTES:**

1. ALL VALVES, BENDS, ETC. SHALL BE RESTRAINED.
2. THE CONTRACTOR SHALL PROVIDE ALL ITEMS NECESSARY TO CONNECT WITH ANY PART OF THE EXISTING WATER SYSTEM THAT WILL REMAIN IN ORDER TO ESTABLISH A SATISFACTORY AND ACCEPTABLE WATER SYSTEM.
3. CONTRACTOR TO CONSTRUCT ALL TRENCH EXCAVATION IN ACCORDANCE WITH ALL OSHA REGULATIONS (29 CFR CH.XVII, SUBPART B)
4. TRENCH SHALL BE EXCAVATED BELOW GRADE REQUIRED TO PROVIDE A MINIMUM 36" OF PIPE COVER.
5. MAXIMUM PIPE COVER SHALL BE 60" UNDER NORMAL CONDITIONS. COVER GREATER THAN 60" MAY BE ALLOWED FOR SHORT DISTANCES WHERE REQUIRED BY FIELD CONDITIONS. NO HYDRANT SHALL BE ALLOWED WHERE LINES ARE GREATER THAN 60" DEEP.

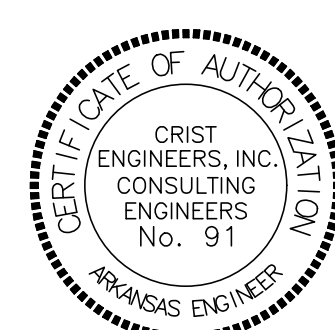
**WATER LINE TRENCHING**

**DETAIL**

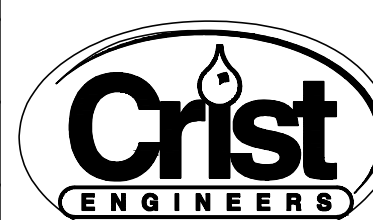
N.T.S.



REV. NO.	DATE	DRWN	CHKD	REMARKS



DESIGNED: LBP  
 DRAFTED: WRC  
 CHECKED: LBP  
 DATE: MAR 2022



**CRIST ENGINEERS, INC.**  
 CONSULTING ENGINEERS

205 EXECUTIVE COURT  
 LITTLE ROCK, ARKANSAS 72205  
 TELEPHONE: (501) 664-1552  
 FAX: (501) 664-8579  
 WWW.CRISTENGINEERS.COM

BRYANT, ARKANSAS  
**WATER LINE EXTENSION**  
 CITY OF BRYANT, ARKANSAS

DETAILS II

JOB NO.  
 2154  
 SHEET NO.

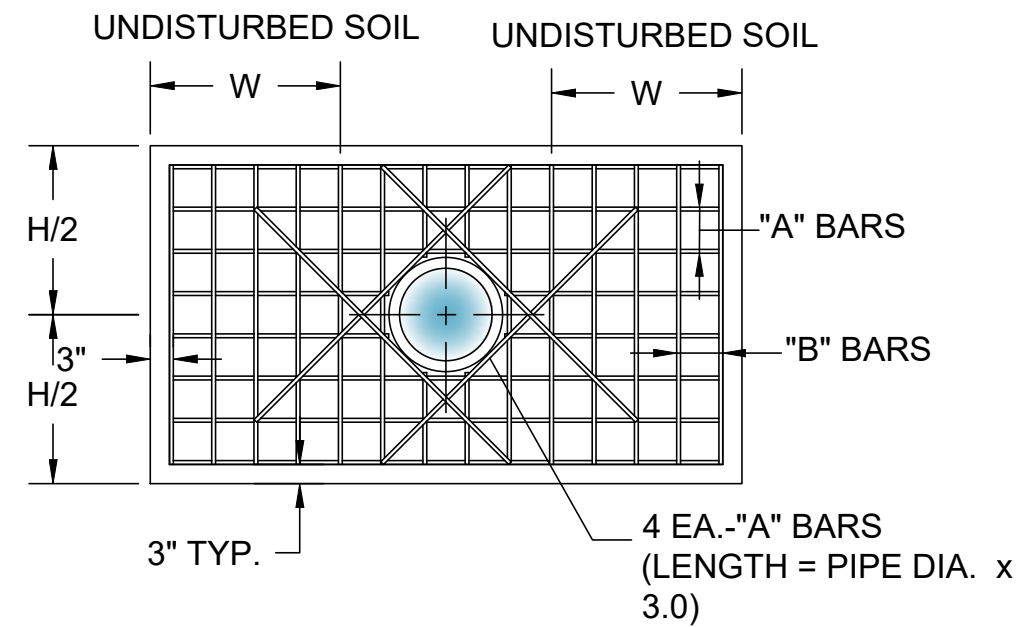
BLOCKING SCHEDULE				
PIPE SIZE	BENDS			ROD DIA.
	45°	22 1/2°	11 1/4°	
8"	VOLUME REQ'D (CU. FT.)	98.5	50.2	25.2
	A (FT.)	5.00'	4.00'	3.00'
	B (FT.)	4.00'	3.20'	2.80'
	C (FT.)	5.00'	4.00'	3.00'
MIN. CLAMP (2 EA.)		3/8 IN. x 2 IN.		
12"	VOLUME REQ'D (CU. FT.)	209.5	106.8	53.7
	A (FT.)	6.00'	5.00'	4.00'
	B (FT.)	6.00'	4.25'	3.50'
	C (FT.)	6.00'	5.00'	4.00'
MIN. CLAMP (2 EA.)		1/2 IN. x 2 IN.		
18"	VOLUME REQ'D (CU. FT.)	457.2	233.1	117.1
	A (FT.)	8.00'	6.50'	5.00'
	B (FT.)	7.25'	5.50'	4.75'
	C (FT.)	8.00'	6.50'	5.00'
MIN. CLAMP (2 EA.)		5/8 IN. x 3 IN.		
24"	VOLUME REQ'D (CU. FT.)	800.3	408.0	205.0
	A (FT.)	9.50'	7.50'	6.00'
	B (FT.)	9.00'	7.25'	5.75'
	C (FT.)	9.50'	7.50'	6.00'
MIN. CLAMP (2 EA.)		5/8 IN. x 3 IN.		

VOLUME CALCULATED ON THE BASIS OF CONCRETE REACTING THRUST ON THE RESPECTIVE BENDS UNDER AN INTERNAL PRESSURE OF 250 PSI, 50 PSI SURGE AND THE WEIGHT OF CONCRETE IS 150 POUNDS PER CU. FT.

ANCHOR COLLAR SCHEDULE					
PIPE SIZE	* MINIMUM DIMENSIONS *			REINFORCING BARS	
	W	H	T	"A" BARS	"B" BARS
6"	1.5'	2.0'	1.0'	#6 @ 6"	#6 @ 6"
8"	2.0'	2.5'	1.0'	#6 @ 6"	#6 @ 6"
12"	2.5'	4.0'	1.5'	#6 @ 6"	#6 @ 6"
16"	3.5'	5.0'	1.5'	#6 @ 6"	#6 @ 6"
20"	5.0'	5.5'	2.0'	#6 @ 6"	#6 @ 6"
24"	6.5'	6.0'	2.0'	#7 @ 6"	#7 @ 10"

NOTES:

- DESIGN PRESSURE IS 200 PSI PLUS 100 PSI SURGE AND 2,000 PSI SOIL BEARING.
- ALL DIMENSIONS ARE MINIMUM REQUIREMENTS. ACTUAL FIELD CONDITIONS MAY REQUIRE LARGER DIMENSIONS.
- ALL RETAINER GLANDS SHALL BE MEGA-LUG BY EBAA IRON.

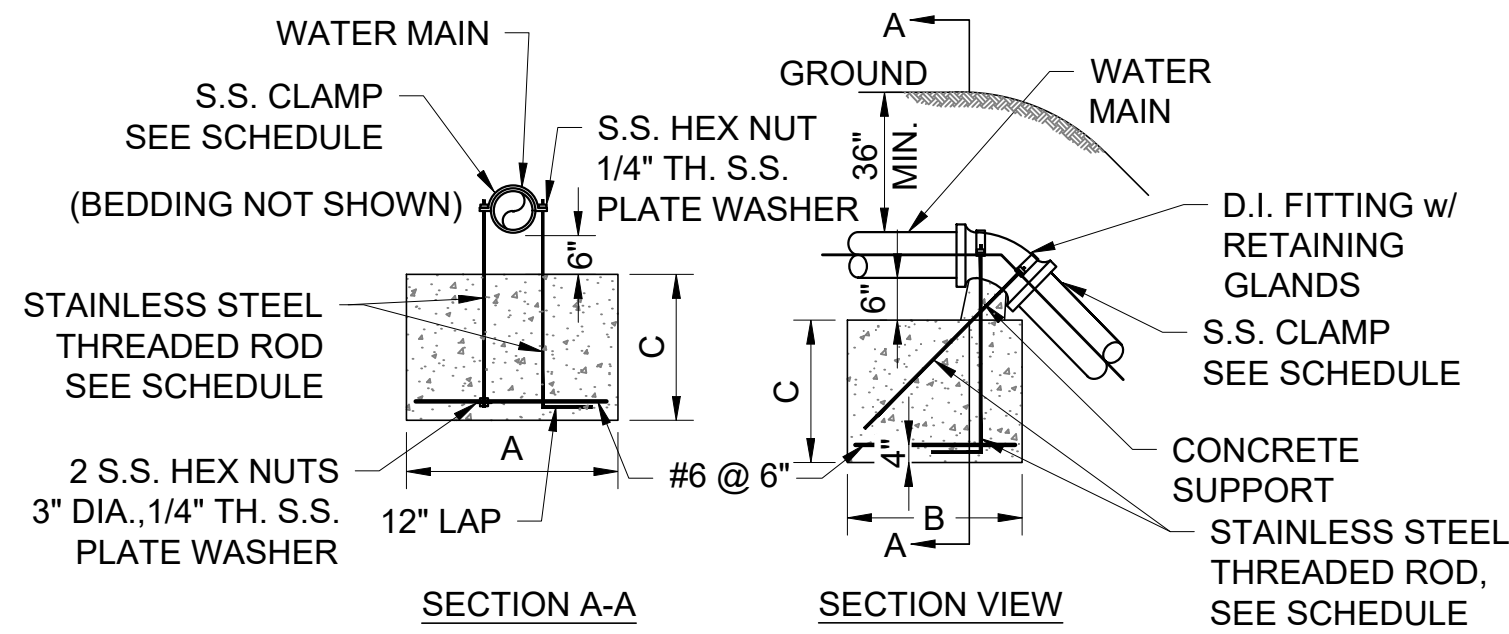


NOTES:

- SWING CONNECTIONS USING 90° BENDS SHALL BE PERMITTED BY THE CITY ON A CASE BY CASE BASIS.
- CONTRACTOR SHALL LOCATE EXISTING MAIN IN ADVANCE OF LAYING NEW LINE IN ORDER TO ASSURE ADEQUATE LENGTH TO ADJUST DEPTH OF NEW MAIN.
- DIMENSIONS SHOWN ARE RECOMMENDED MINIMUMS TO PROVIDE ADEQUATE ROOM FOR TIGHTENING BOLTS ON JOINTS (OTHER DIMENSIONS MAY BE USED).
- PROVIDE ALL THREAD STAINLESS STEEL TIE RODS WITH DUCTILE LUGS FOR ANCHORING ALL JOINTS.
- ROTATE TEE UP & ELBOW DOWN AS REQUIRED TO MATCH.
- TRACER WIRE SHALL BE INSTALLED ON ALL NEW WATER LINES.
- ALL FITTINGS, VALVES, AND DIP SHALL BE POLY WRAPPED.

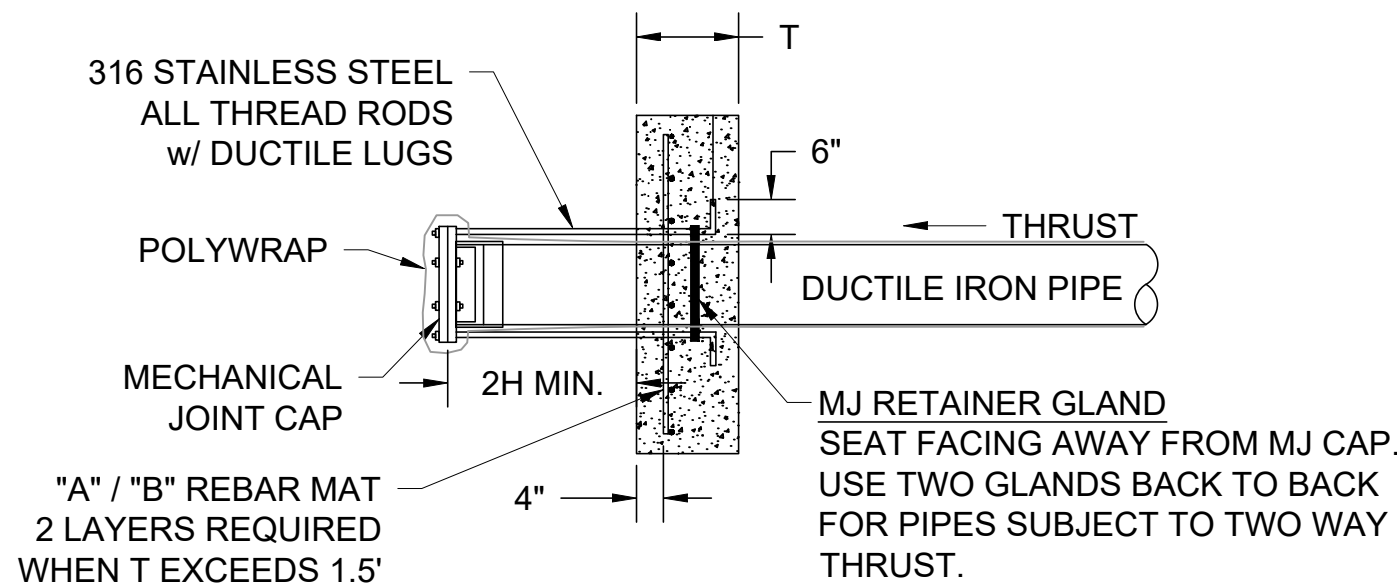
SCHEDULE OF THE TIE RODS		
SIZE	NUMBER OF ROD PER FITTING	DIAMETER OF S.S. RODS
8"	4	3/4"
12"	4	3/4"

ALL FITTINGS SHALL BE MECHANICAL JOINTS WITH RETAINING GLANDS. BEDDING NOT SHOWN



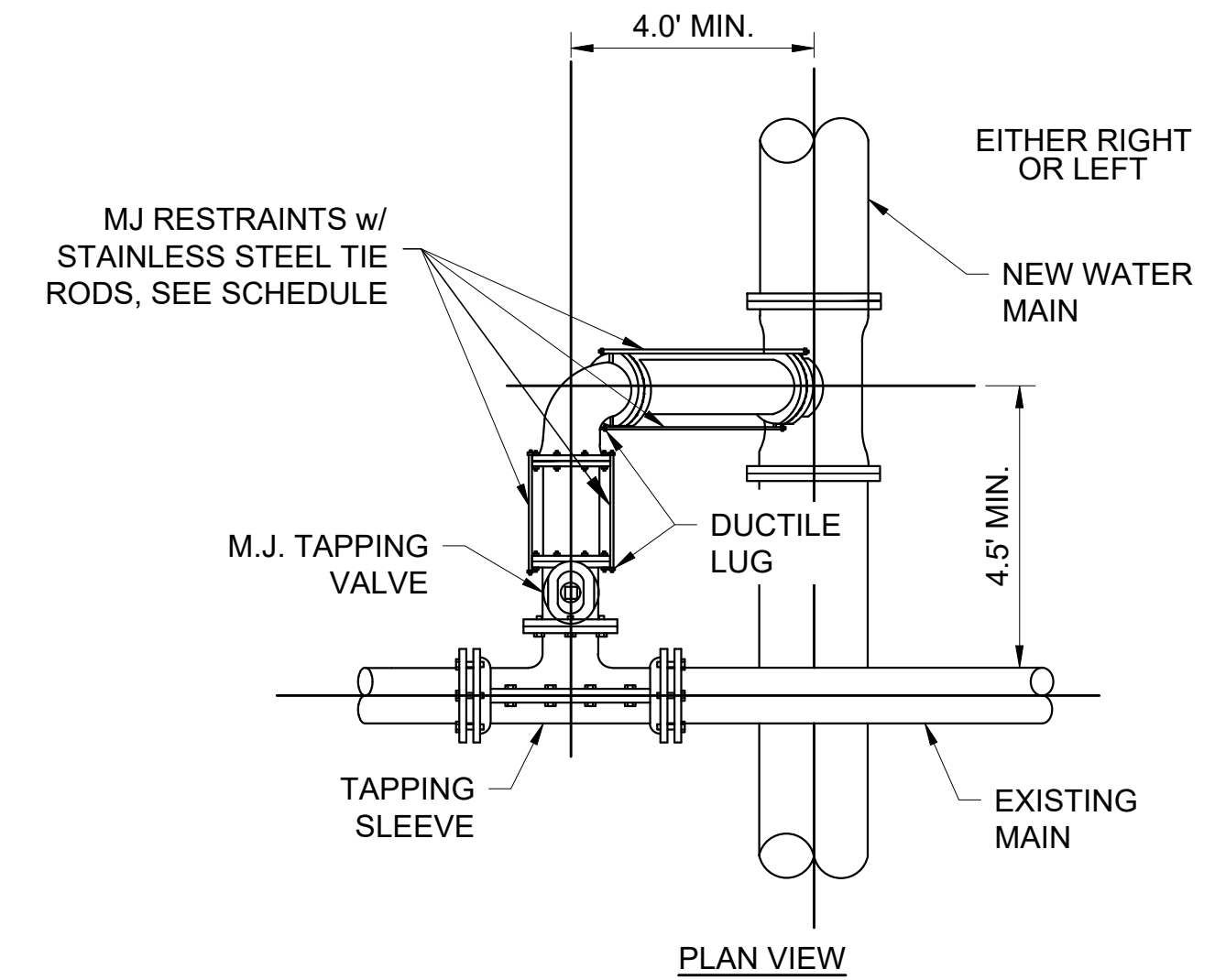
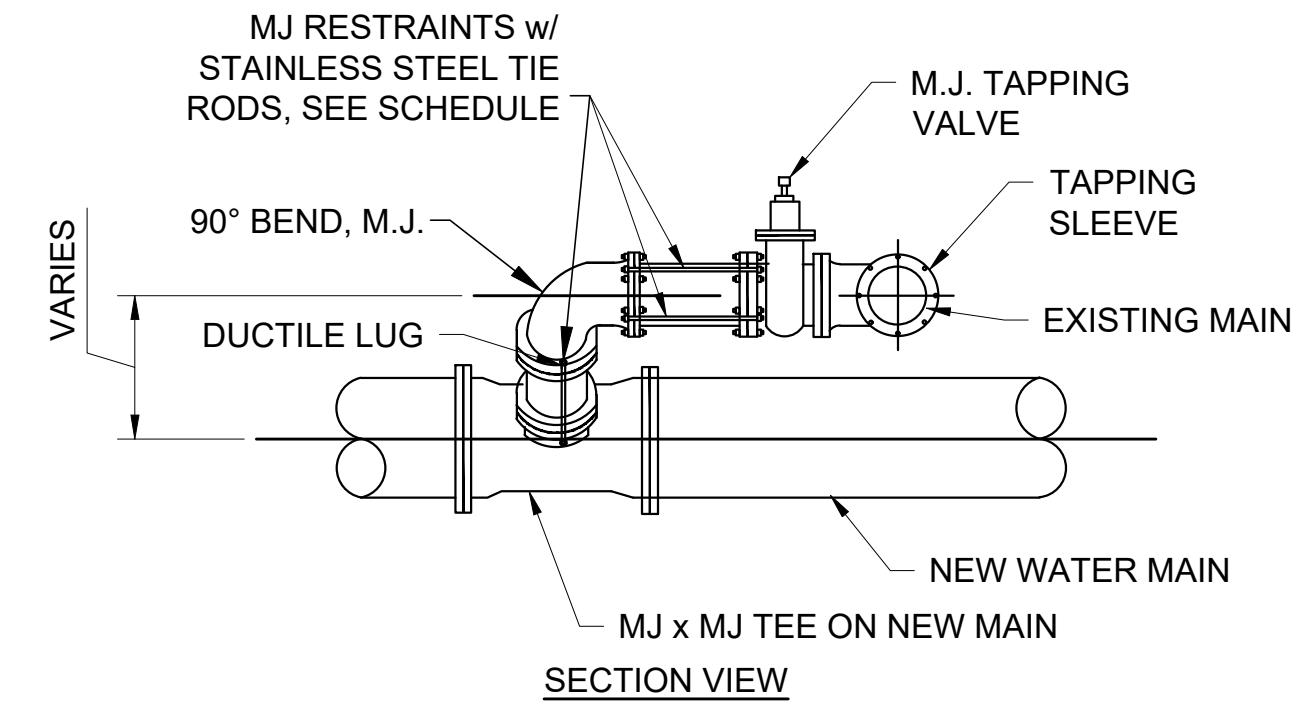
VERTICAL TIE DOWN BLOCKING

DETAIL A  
N.T.S.



ANCHOR COLLAR

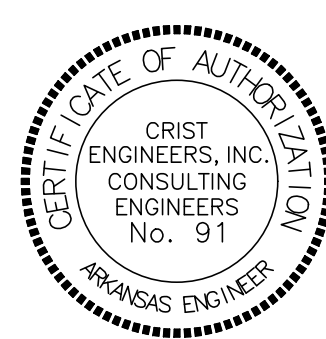
DETAIL B  
N.T.S.



SWING CONNECTION

DETAIL C  
N.T.S.

REV. NO.	DATE	DRWN	CHKD	REMARKS



1" = 1"  
THIS LINE MEASURES 1" WHEN PLOTTED FULL SIZE

DESIGNED:	LBP
DRAFTED:	WRC
CHECKED:	LBP
DATE:	MAR 2022



**CRIST ENGINEERS, INC.**  
CONSULTING ENGINEERS

205 EXECUTIVE COURT  
LITTLE ROCK, ARKANSAS 72205  
TELEPHONE: (501) 664-1552  
FAX: (501) 664-8579  
WWW.CRISTENGINEERS.COM

BRYANT, ARKANSAS  
**WATER LINE EXTENSION**  
CITY OF BRYANT, ARKANSAS

DETAILS III

JOB NO.	2154
SHEET NO.	7