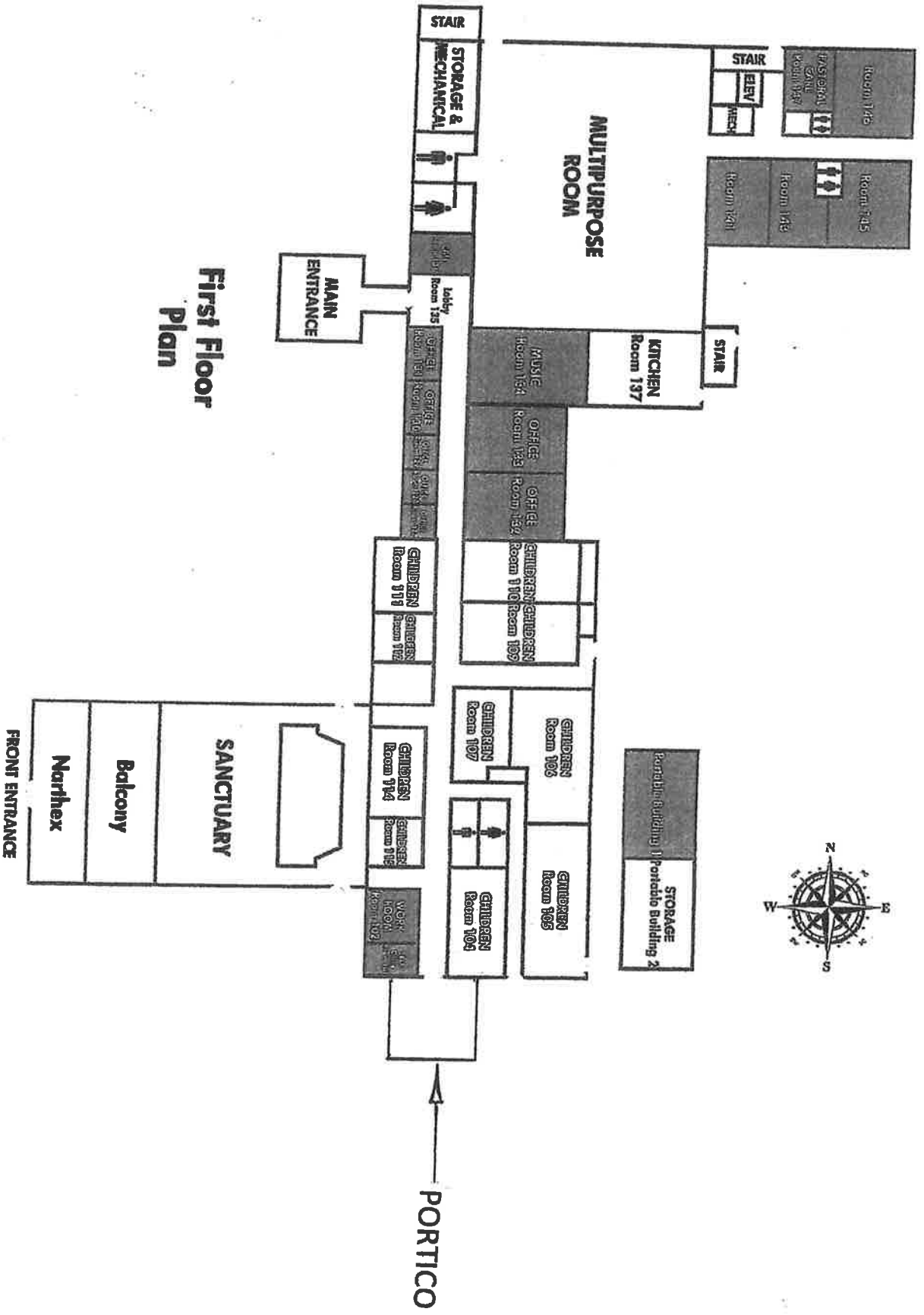


PORTICO FOR SMALL BLESSINGS PRESCHOOL

FIRST UNITED METHODIST CHURCH

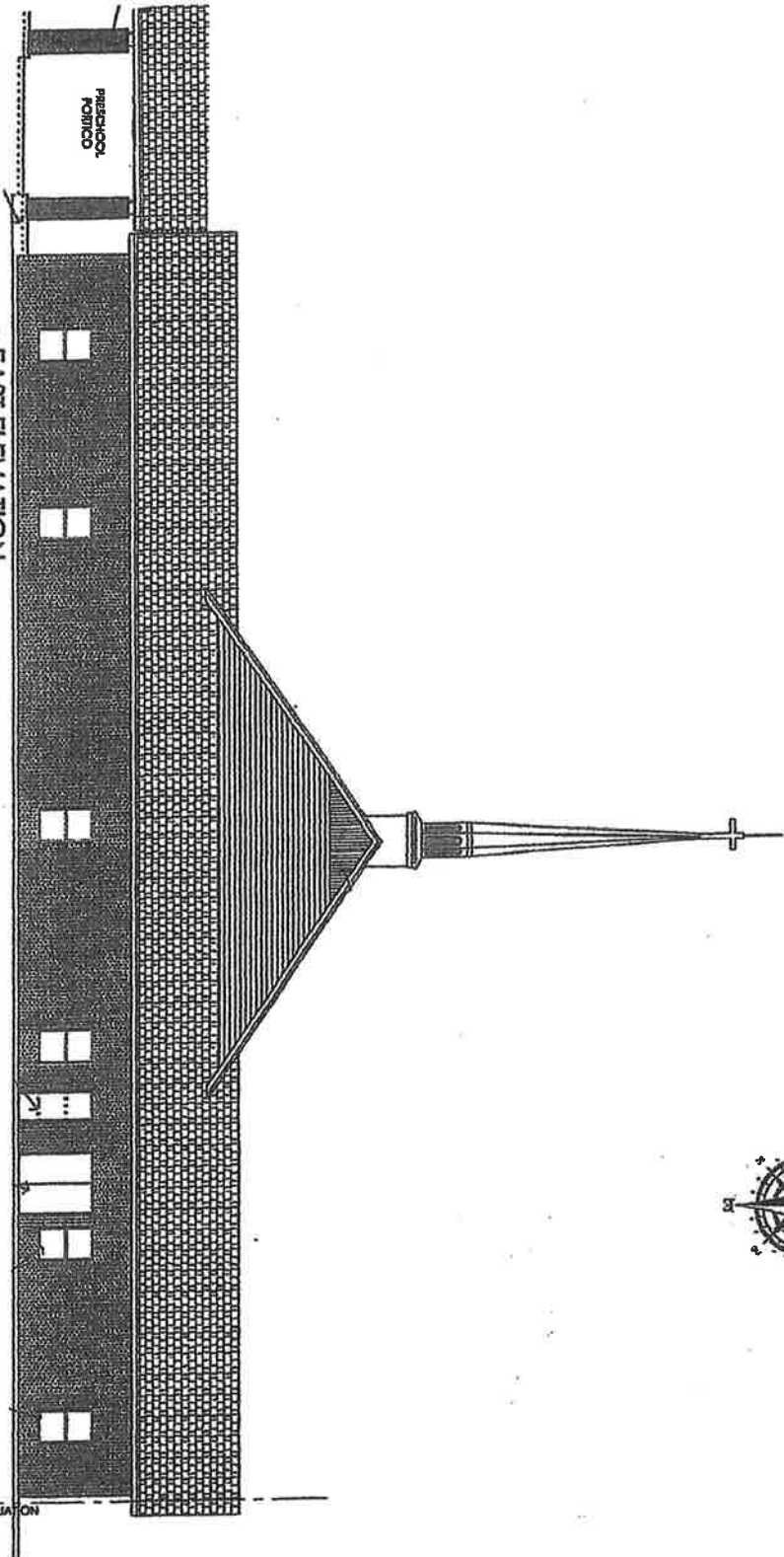
508 NORTH REYNOLDS ROAD

BRYANT, ARKANSAS



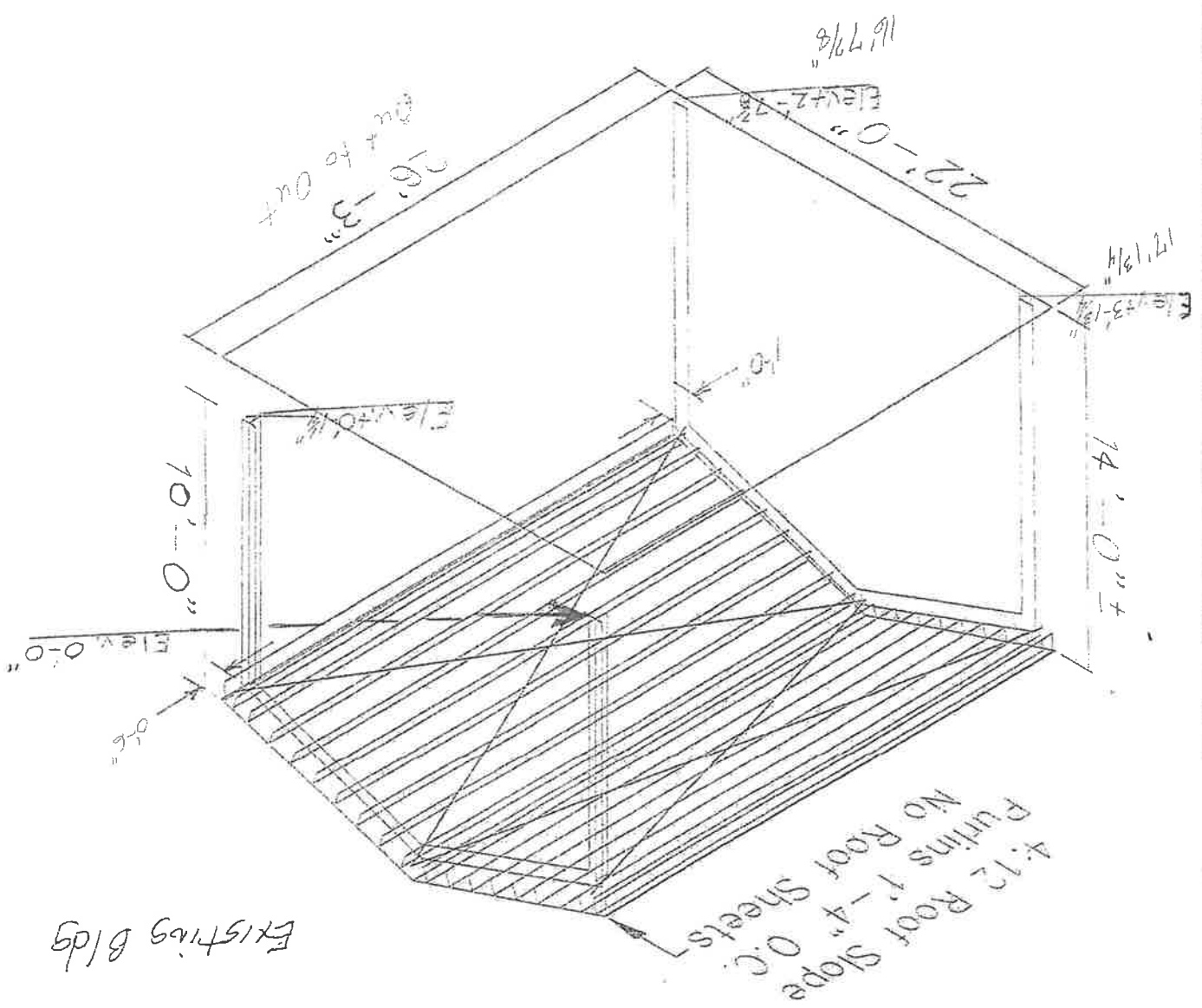
**First Floor
Plan**

2 EAST ELEVATION
2 1/8" = 1'-0"



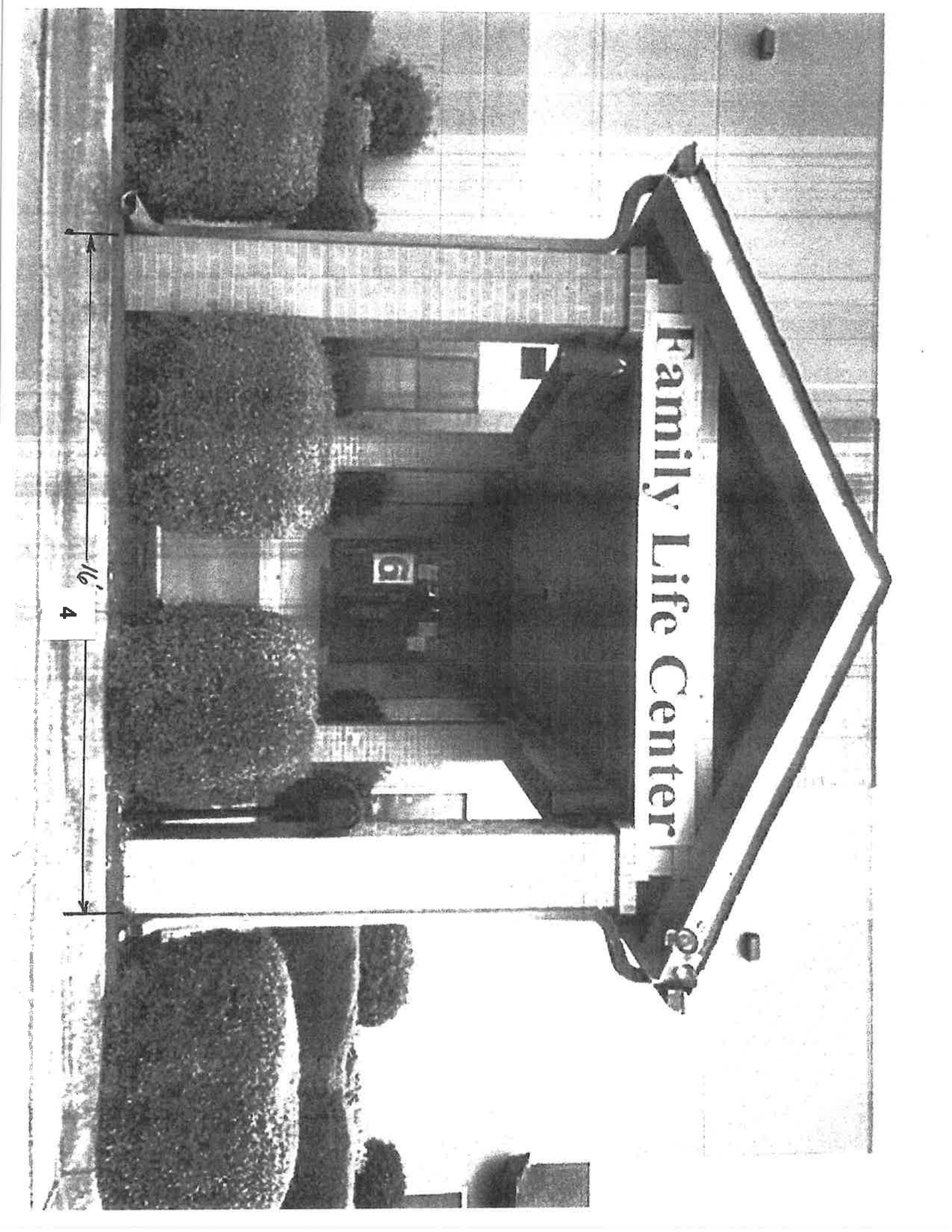
MATCH LINE SEE 3/A5.2 FOR CONTINUATION





Family Life Center

16' 4"



Specifications for Small Blessings Portico

Dimensions: 22 feet by 26 feet+-.

4:12 roof slope with shingle roof to match main building.

Gutters and downspouts.

Brick around columns to match main building.

Roof flashing to the wall of main building for water proofing.

Paint underneath and all exposed surfaces.

Clear height of 10 feet above sidewalk.