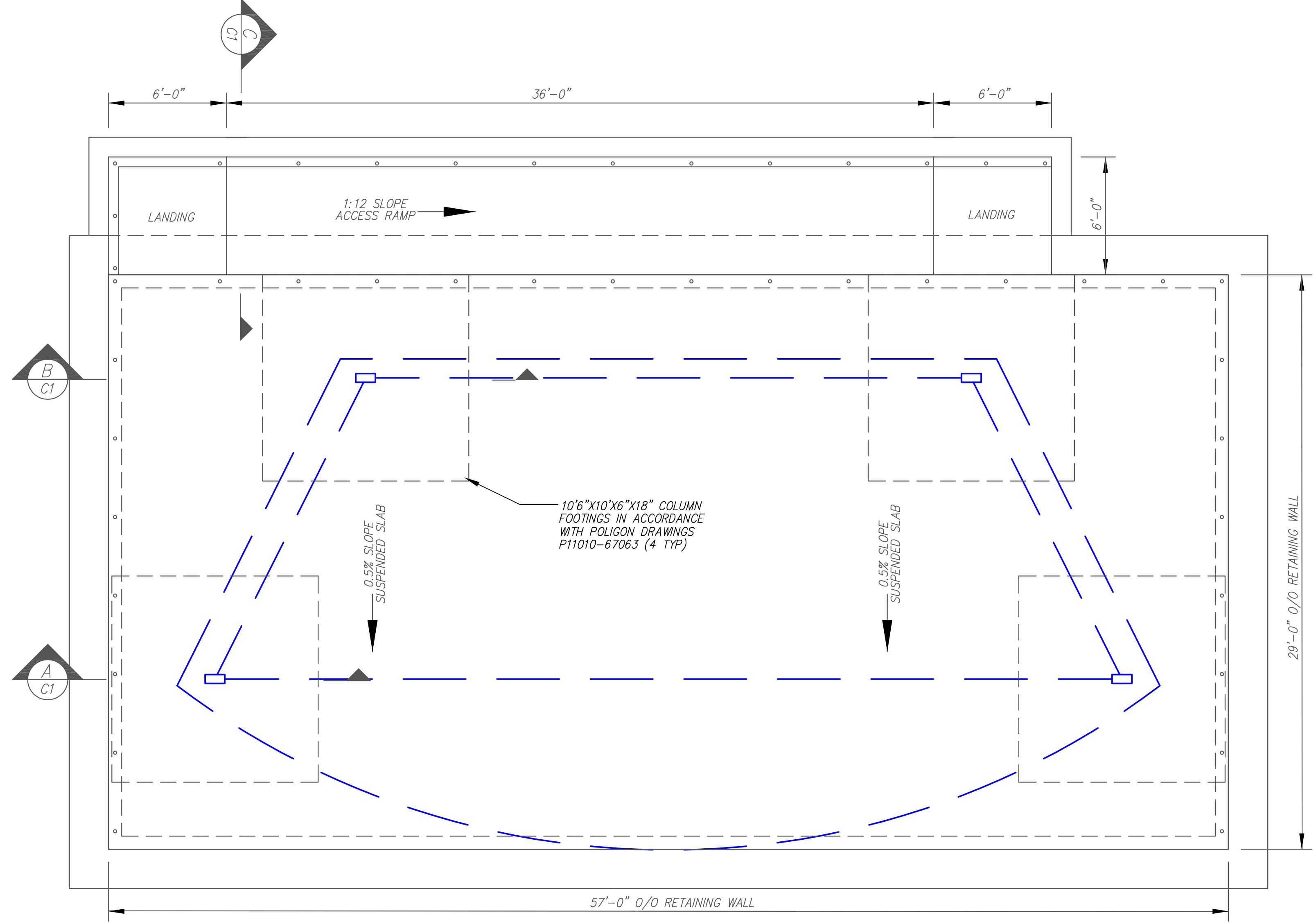


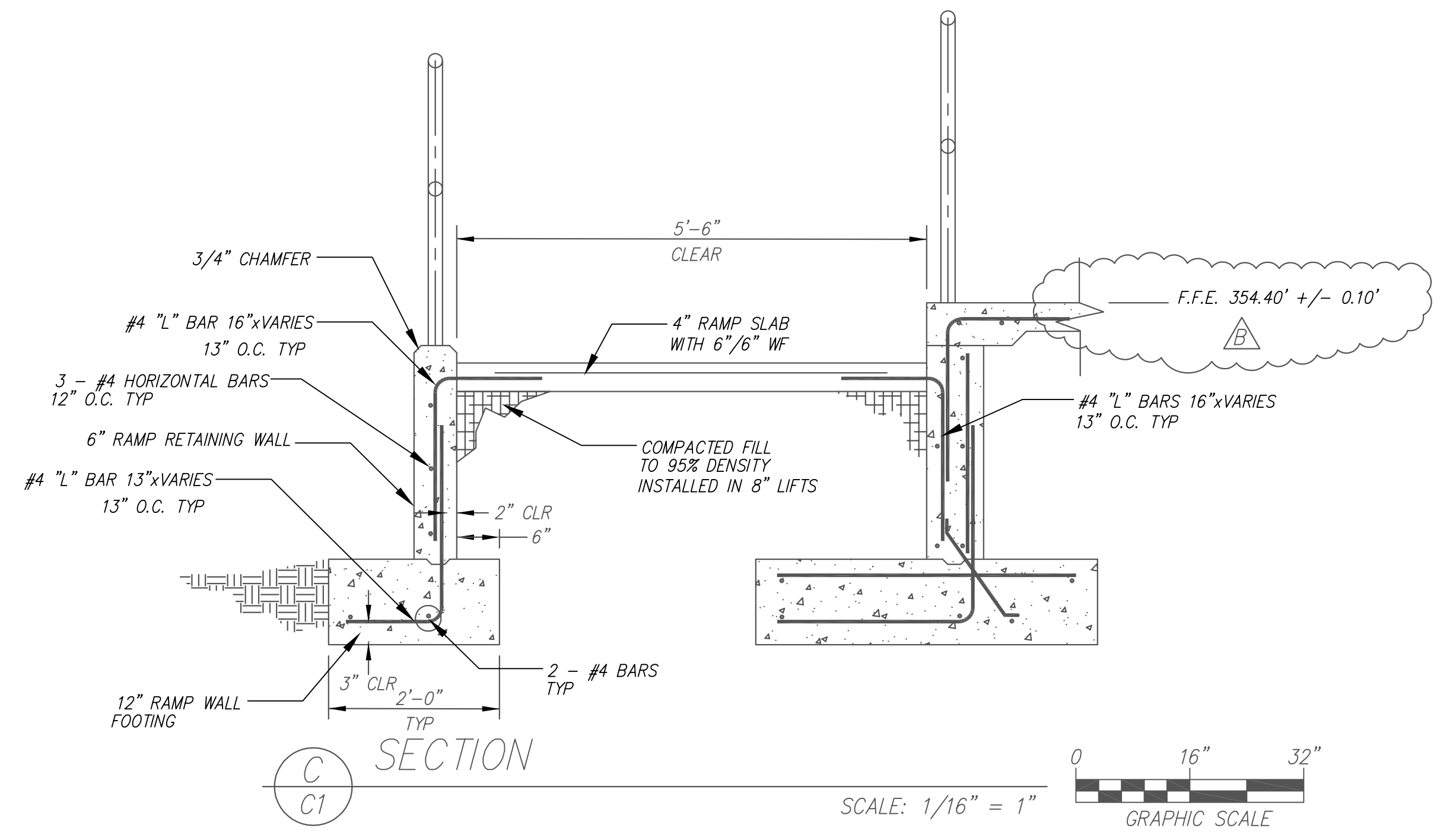
1 2 3 4 5 6 7 8

**GENERAL NOTES**

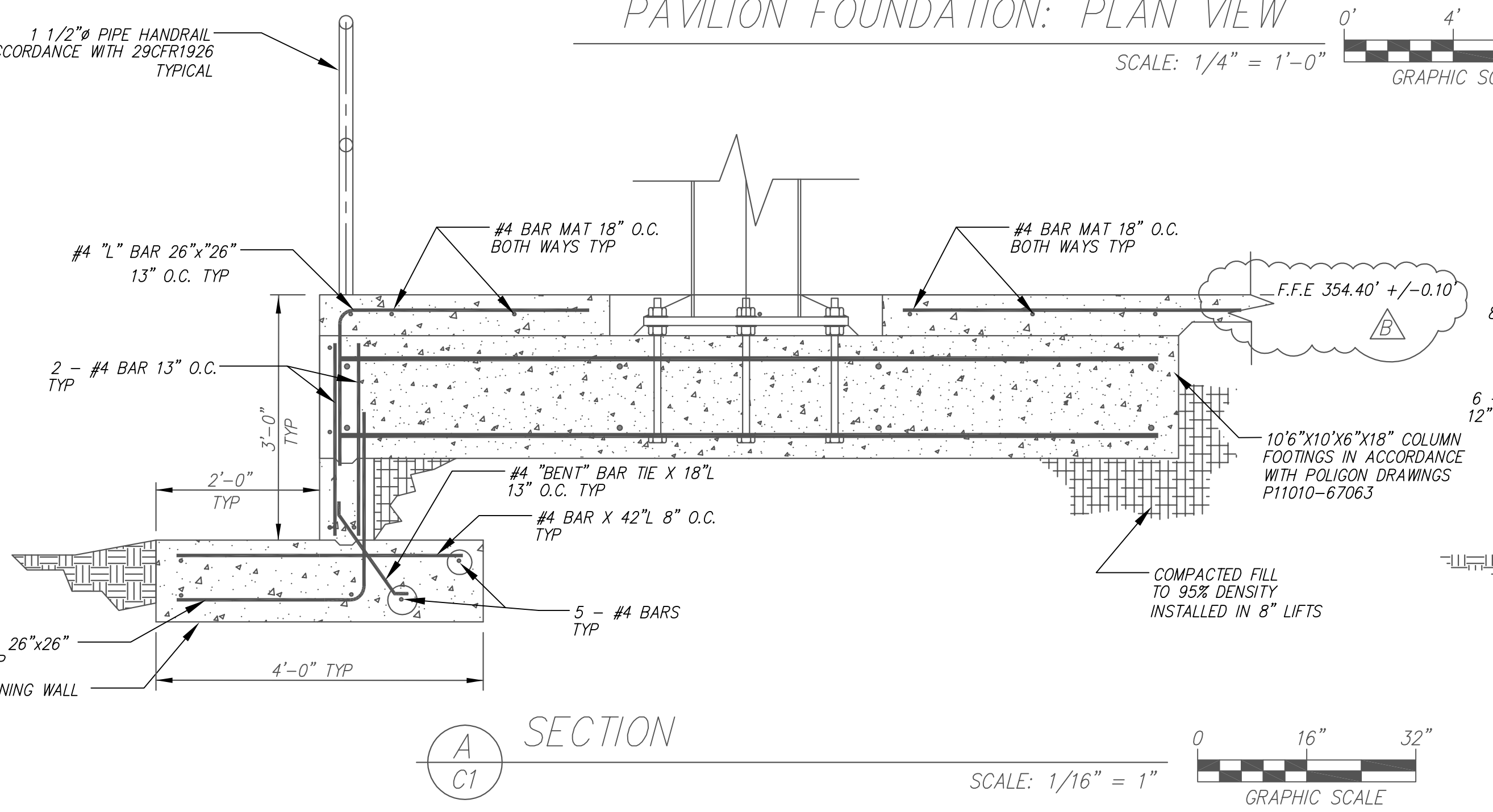
1. ALL CONCRETE SHALL BE 4000 PSI COMPRESSIVE STRENGTH AT 28 DAYS
2. ALL VERTICAL SURFACES SHALL BE COATED WITH WATER STOP TO PREVENT MOISTURE INFILTRATION
3. ALL FINISHED SURFACES SHALL BE LIGHTLY BRUSHED.
4. SITE PREPARATION SHALL INCLUDE REMOVAL OF THE TOP 6-8 INCHES OF SOIL AND COMPACTED TO 95% DENSITY BEFORE PLACEMENT OF FILL.



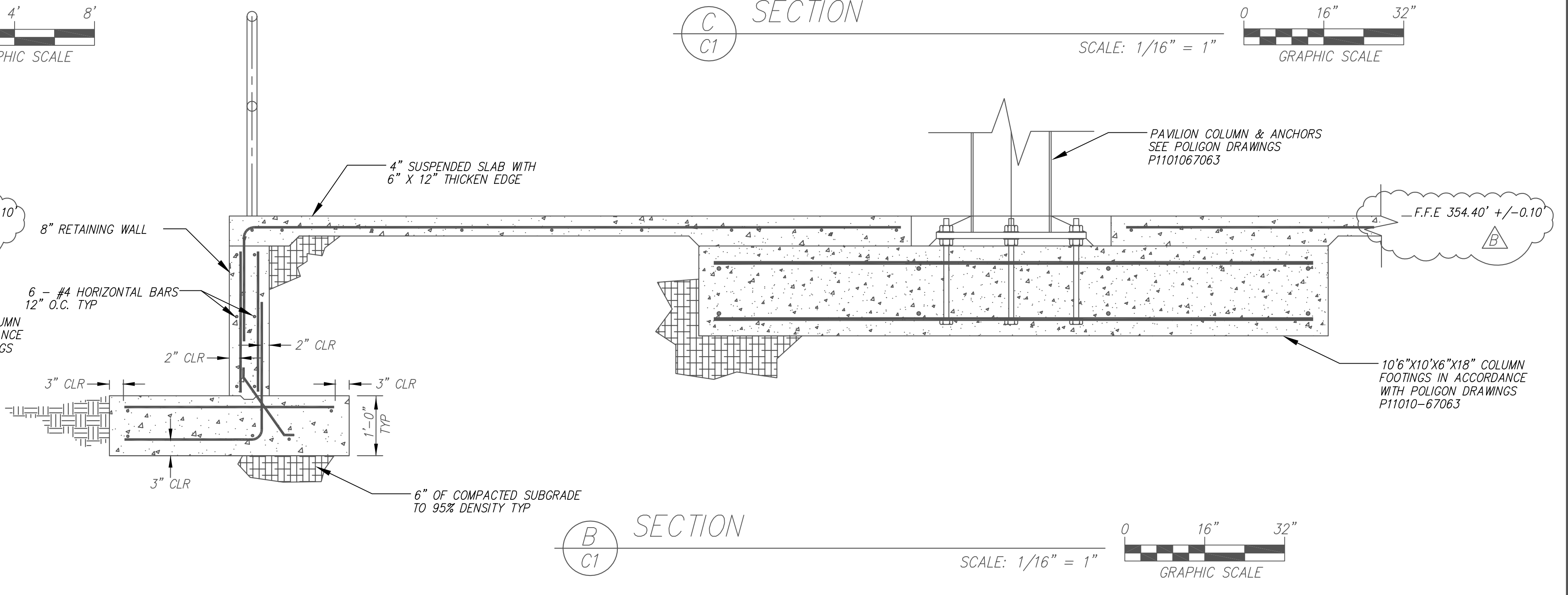
PAVILION FOUNDATION: PLAN VIEW  
SCALE: 1/4" = 1'-0"  
GRAPHIC SCALE



SECTION C-C1  
SCALE: 1/16" = 1"  
GRAPHIC SCALE



SECTION A-A  
SCALE: 1/16" = 1"  
GRAPHIC SCALE



SECTION B-B  
SCALE: 1/16" = 1"  
GRAPHIC SCALE

APPROVED BY:			DESIGNED BY: <b>BEC</b>		REV	DESCRIPTION	BY	DATE	SCALE:	LOCATION: <b>BISHOP PARK FESTIVAL PAVILION</b> 6401 BOONE RD INFO BRYANT, ARKANSAS 72022	CITY OF BRYANT ARKANSAS	DWG. TITLE:	REVISION NO./DATE:
TITLE	SIGNATURE	DATE	DRAWN BY: <b>BEC</b>	A	ISSUED FOR BID	BEC	06/01/20	AS INDICATED	<b>BISHOP PARK FESTIVAL PAVILION FOUNDATION DETAILS</b>			A - 06/01/20	
TITLE	SIGNATURE	DATE	CHECKED BY: <b>TRT</b>	B	ADDED FINISHED FLOOR ELEVATION	TRT	06/19/20	1/16" = 1'-0"	TO BE USED WITH POLIGON DRAWINGS P11010-67063	PROJECT NO.:			
TITLE	SIGNATURE	DATE								SHEET NO.:			
										<b>C1 OF 1</b>			

XXX##XXX.DWG