

**BLACK
CORLEY
OWENS+
HUGHES**
ARCHITECTS
219 W SOUTH ST
BENTON, AR 7201
5
501 315 7686 TEL
501 315 0487 FAX

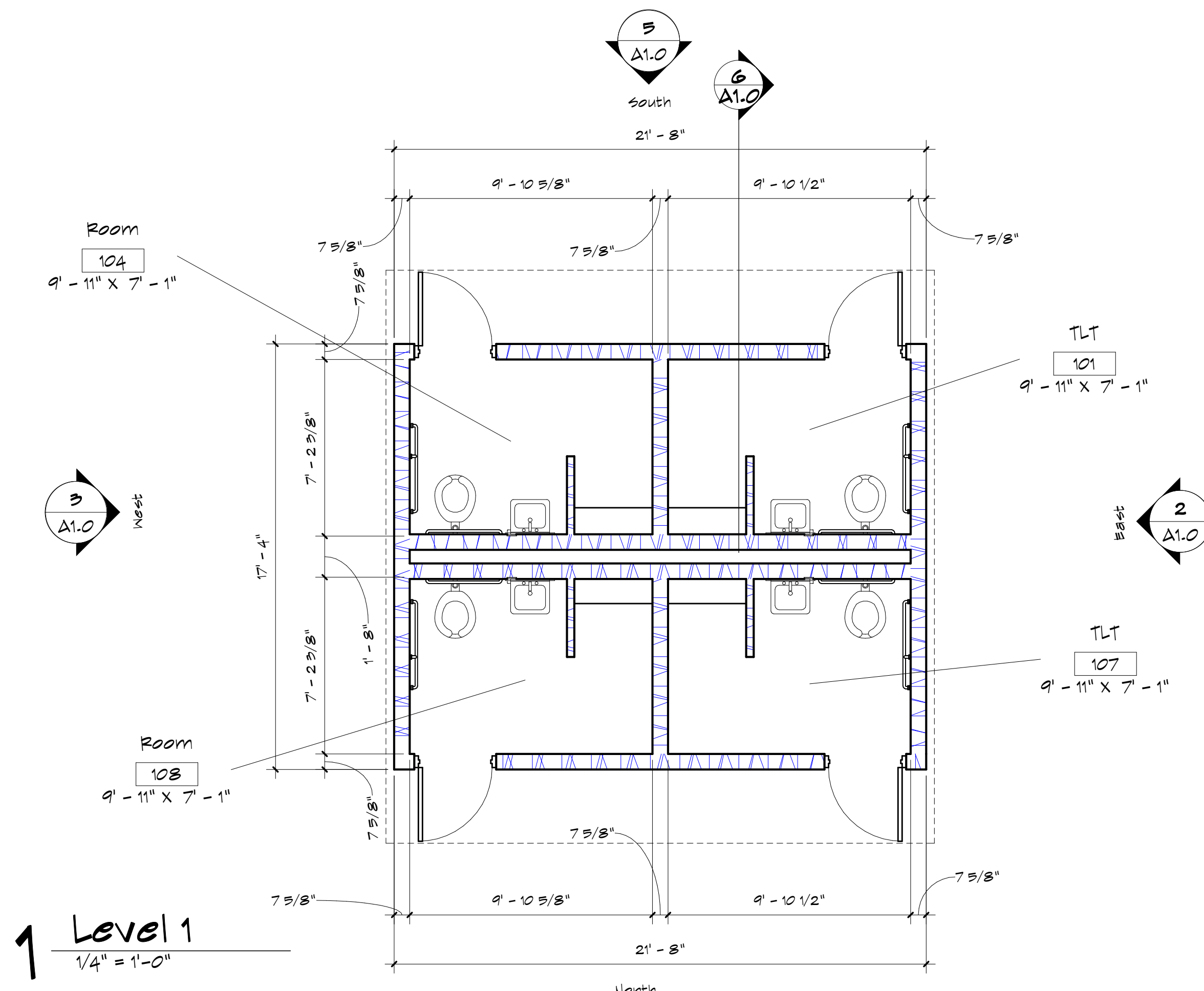
**TOILET BUILDING
BRYANT, ARKANSAS**

No.	Date

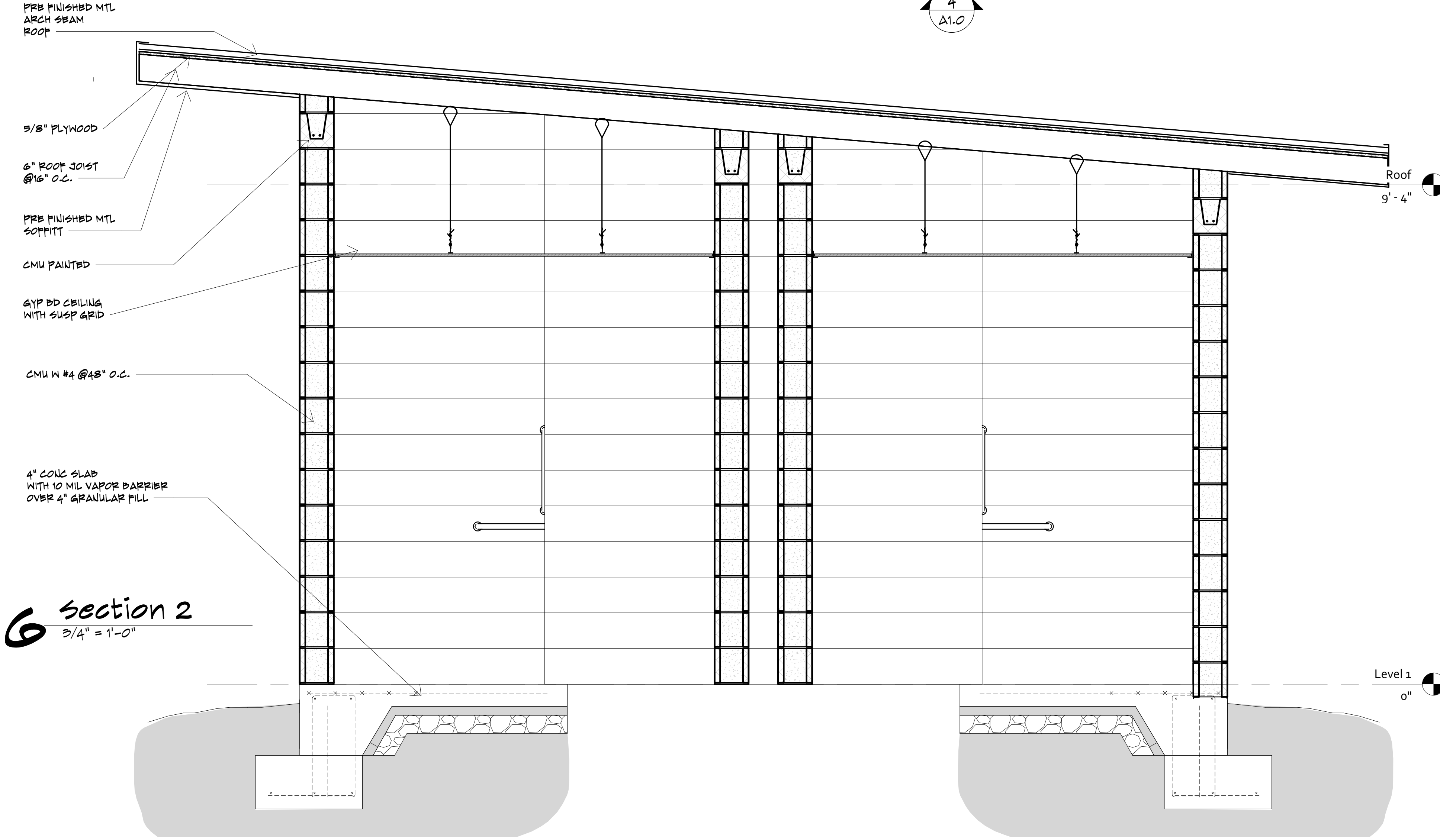
Project number	
Project Number	
Sheet Title	Floor plan

Date 2/7/16

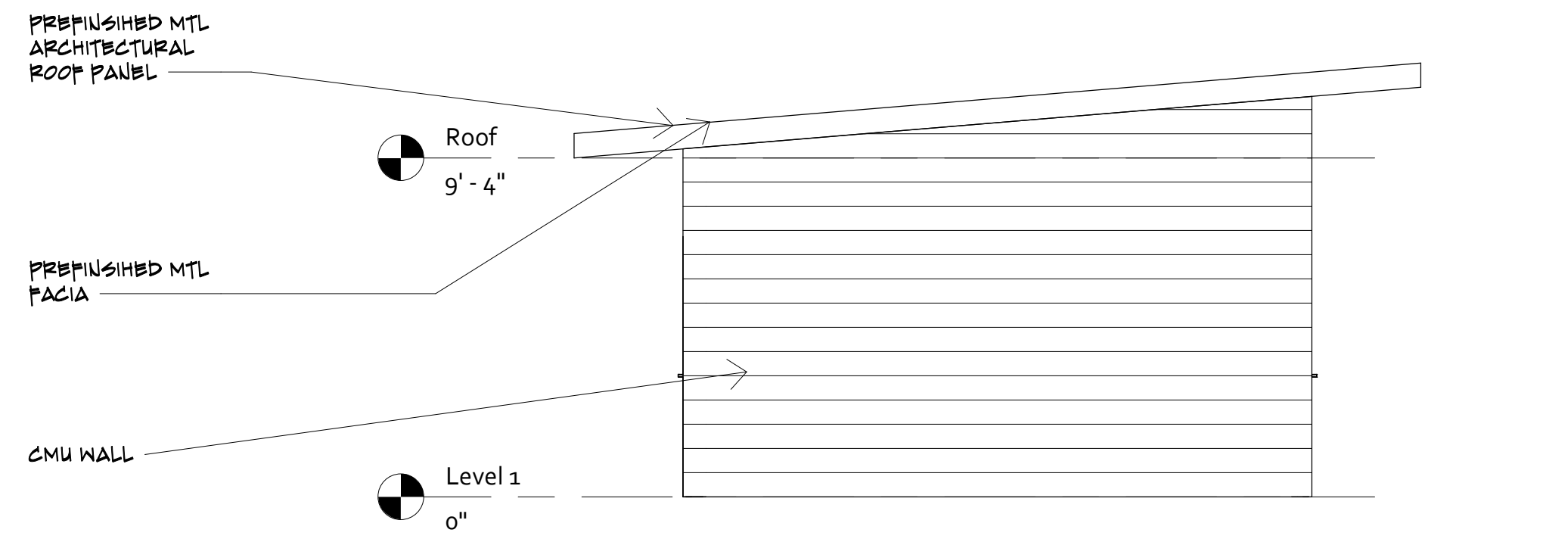
A1.0



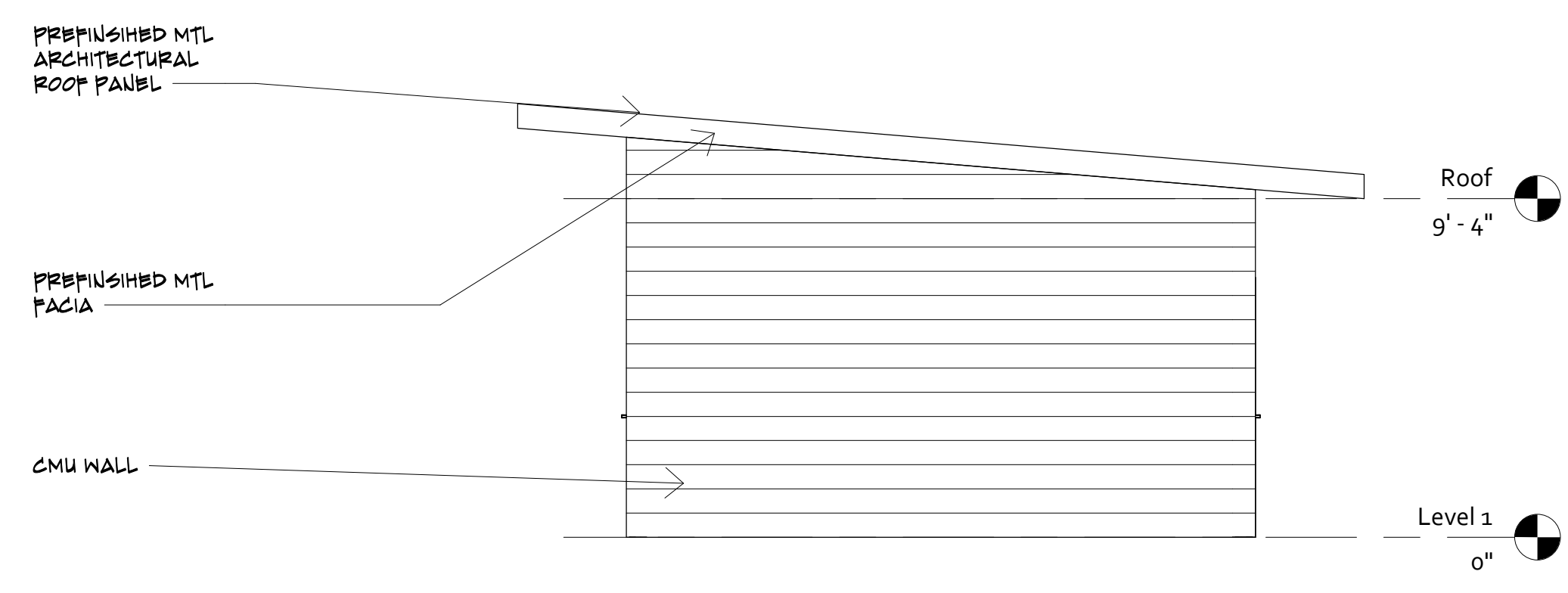
1 Level 1
1/4" = 1'-0"



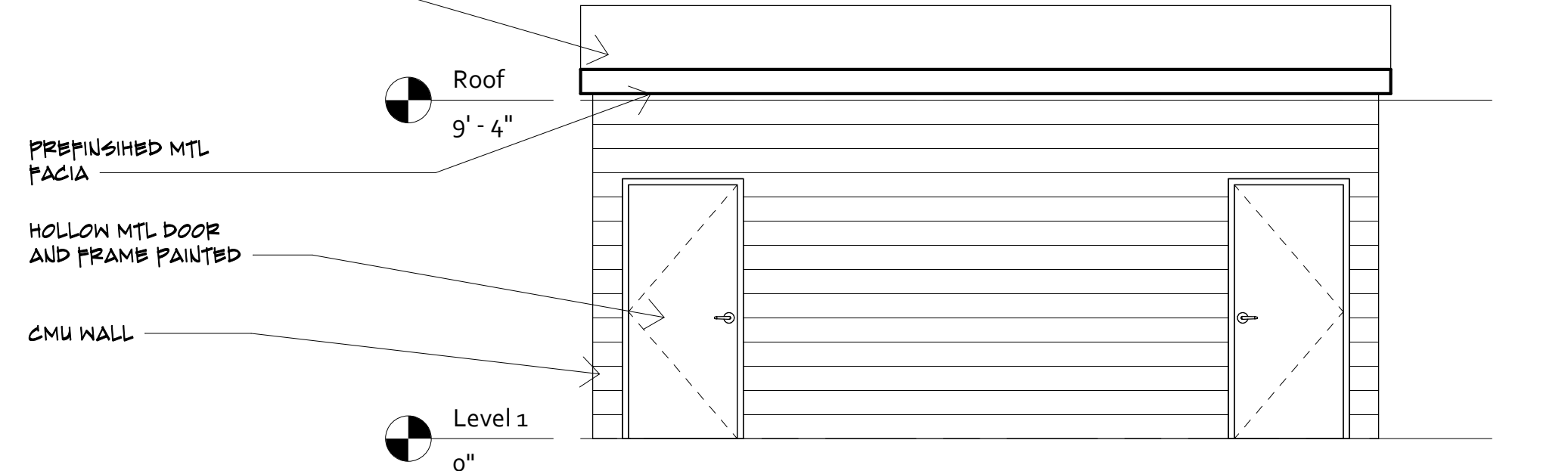
6 Section 2
3/4" = 1'-0"



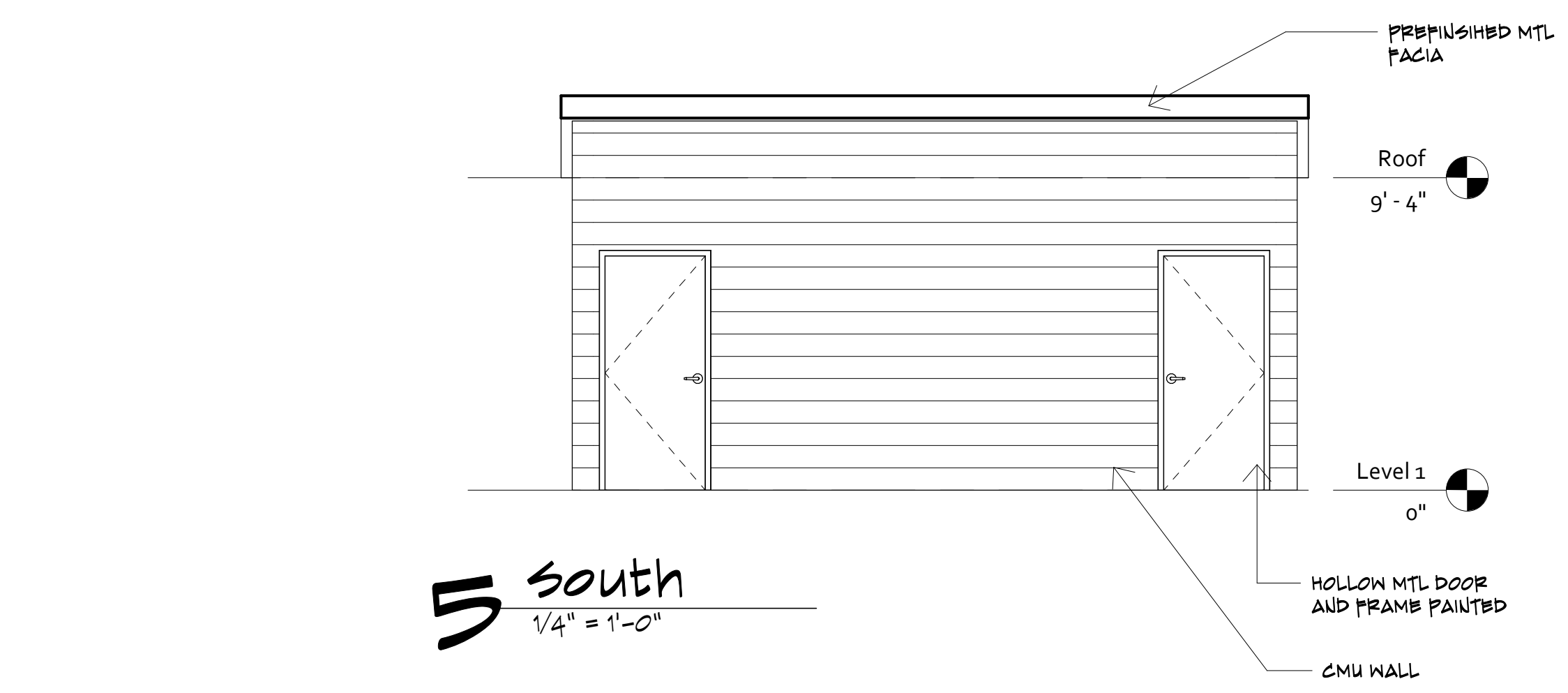
2 East
1/4" = 1'-0"



3 West
1/4" = 1'-0"



4 North
1/4" = 1'-0"



5 South
1/4" = 1'-0"